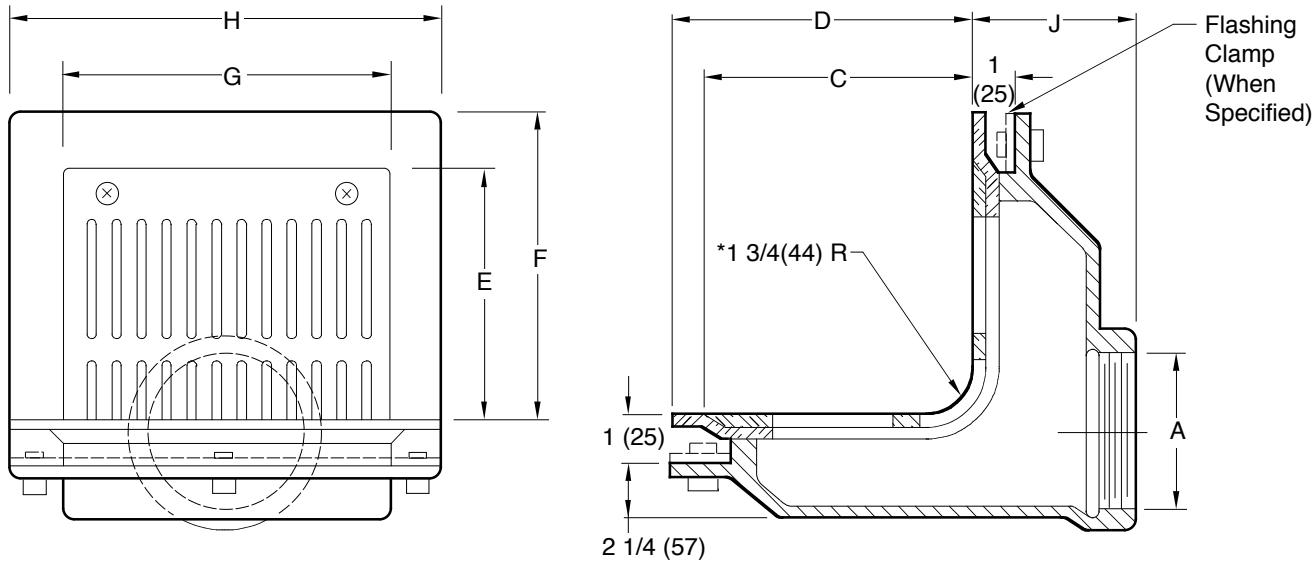


# SPECIAL PURPOSE PIT/SUMP DRAINS

## REVERSIBLE ANGLE DRAIN

**FUNCTION:** Provides complete drainage of low areas in sumps and pits. Angle type design of grate makes this drain reversible, so that it can be used for either a bottom or side outlet installation. Fig. 6048 has a grate and frame with a 5" (125) radius.



- Fig. 6040T . . . Threaded Outlet Only
- Fig. 6045T . . . Threaded Outlet Only
- Fig. 6048T . . . Threaded Outlet Only

Fig. No.	A Size	C	D	E	F	G	H	J	Free Area
6040	02(50),03(75),04(100)	4 1/2(115)	5(125)	4 1/2(115)	5(125)	6 1/2(165)	7 1/2(190)	3 1/4(83)	13 SQ IN (84) SQ CM
6045	04(100), 05(125), 06(150)	8 1/2(215)	9(230)	8 1/2(215)	9(230)	10 3/4(275)	12(305)	4(100)	48 SQ IN (310) SQ CM
6048	04(100), 05(125), 06(150)	8 1/2(215)	9(230)	8 1/2(215)	9(230)	10 3/4(275)	12(305)	4(100)	54 SQ IN (348) SQ CM

\*5(125) R for 6048

**REGULARLY FURNISHED:**  
 Duco Cast Iron Body with Secured  
 Chrome Plated Bronze Grate and  
 Frame.

- VARIATIONS:**
- Flashing Clamp -C
  - NO-HUB Adaptor (Specify Fig. 2646Y)
  - Vandal Proof Screws -U

- OPTIONAL MATERIALS:**
- Duco Cast Iron Face -CI (Fig. 6045 & 6048 Only)
  - Galvanized Cast Iron -G
  - Nickel Bronze Face -NB
  - Polished Bronze Face -PB

**NOTE:** This product does not conform to or meet the requirements of ASME Standard No. A112.19.8-2007, titled "Suction Fittings for use in Swimming Pools, Wading Pools, Spas, and Hot Tubs." This product shall not be used in any installation in swimming pools, wading pools, spas, hot tubs as well as other aquatic facilities. Due to the potential endangerment from arduous and forceful suction, entrapment or entanglement regardless of whether it is hair, head, limbs or other body parts, this product is prohibited from installation in these applications.

**NOTE:** Dimensions shown in parentheses are in millimeters.

DRAWING NUMBER S6040  
 SIZE A  
 SCALE: NONE  
 DATE: 3-24-83  
 APPROVED BY: SJM  
 CHECKED BY: DT  
 DRAWN BY: BS  
 FIGURE NUMBER 6040,6045,6048

WE CAN ASSUME NO RESPONSIBILITY FOR USE OF SUPERSEDED OR VOID DATA  
 DIMENSIONS ARE SUBJECT TO MANUFACTURERS TOLERANCE AND CHANGE WITHOUT NOTICE

E	8-5-14	Revised Optional Materials	TBW	CL	WEIGHT POUNDS	VOLUME CUBIC FEET	FIGURE NUMBER <b>6040,6045,6048</b>
D	12/16/08	Revised Chart	RN	CL			
C	12/08/08	Revised Variations	RN	CL			
B	11/20/08	Added ASME Note	JJ	CL			
REV.	DATE	DESCRIPTION	BY	CKD. BY			