



JAY R. SMITH MFG. CO.
 MEMBER OF MORRIS GROUP INTERNATIONAL
 POST OFFICE BOX 3237
 MONTGOMERY, ALABAMA 36109-0237 (USA)
 TEL: 334-277-8520 FAX: 334-272-7396 www.jrsmith.com



MEMBER OF:



LOCATION

EXPOSED 1/4 TURN WARM CLIMATE "TWIN TEMP" WALL HYDRANT

FUNCTION: For installation in walls where there is no danger of freezing. Ideal for use in food handling areas, dairies and other places where both hot and cold water are desired. 1/4 turn of the key allows full flow to be obtained.

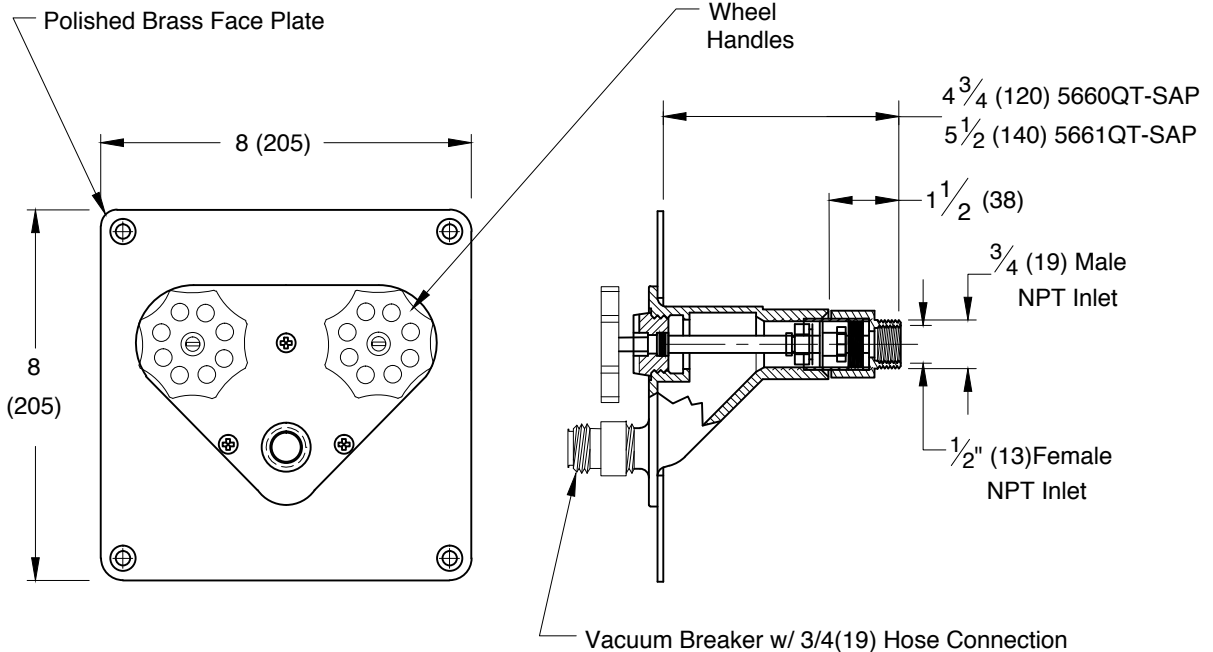


Fig. 5660QT (-SAP)1/2"(13) FEMALE & 3/4"(19) MALE INLET
 Fig. 5661QT (-SAP)1"(25) MALE INLET

REGULARLY FURNISHED:

Bronze Quarter Turn Warm Climate "Twin-Temp" Hydrant with 3/4"(19) Hose Connection, "T" Handle Key. Inlet Size Furnished as Indicated by Figure Number Selected.

VARIATIONS:

- Wheel Handle -WH
- 3/4"(19) Vacuum Breaker (Self Draining Type) -H

OPTIONAL MATERIALS:

- Nickel Bronze Face -NB
- Chrome Plated Face -CP
- Rough Bronze Face -RB

NOTES:

1. Recommended wall opening 6"(150) x 6"(150). Hydrant shall be in the vertical position only, the connection must be on the bottom.
2. All Jay R. Smith hydrants are manufactured with "NO-LEAD" brazing rings and USDA approved lubricants.
3. The AB1953, California Lead Law, and NSF/ANSI Standard 61-2008 - Drinking Water System Components are not applicable to Jay R. Smith hydrants as they do not convey/dispense water for human consumption through drinking or cooking.
4. Dimensions shown in parentheses are in millimeters.
5. **FOR IRRIGATION PURPOSES ONLY.**

Installer is responsible for providing a 100% watertight positive seal at the hydrant to wall interface. Seal all the flange with an appropriate sealant recommended by a sealant manufacturer. NOTE: Jay R. Smith does not warrant the performance or life expectancy of the sealant material.

DRAWING NUMBER: 5660QT, 5661QT (SAP-H-WH)
 SIZE: A
 SCALE: NONE
 DATE: 6-21-11
 APPROVED BY: CL
 CHECKED BY: CL
 DRAWN BY: TBW
 FIGURE NUMBER: 5660QT (SAP-H-WH), 5661QT (SAP-H-WH)

WE CAN ASSUME NO RESPONSIBILITY FOR USE OF SUPERSEDED OR VOID DATA

REV.	DATE	DESCRIPTION	BY	CKD. BY	WEIGHT POUNDS	VOLUME CUBIC FEET	FIGURE NUMBER
B	4-6-18	Added Note	TBW	BW			5660QT (SAP-H-WH)
A	2-4-13	Revised Notes	TBW	CL			5661QT (SAP-H-WH)



WARNING: Cancer and Reproductive Harm - www.P65Warnings.ca.gov