

# FREEZELESS SILLCOCK

**FUNCTION:** Dual temp hot and cold non-freeze hydrant with chrome finish, integral anti-siphon vacuum breakers, brass casing, bronze interior parts, operating rod with free-floating compression closure valves, one-piece head casting and easy-grip powder coated handles.

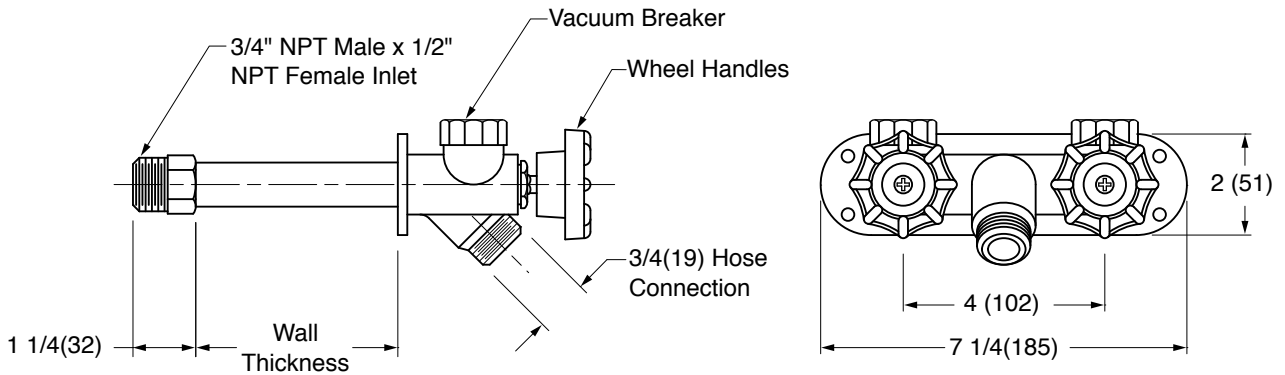
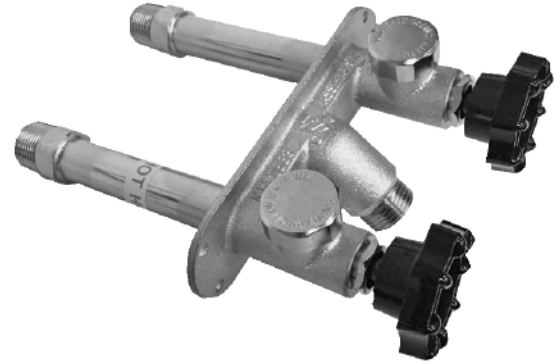


Fig. 5640-04	.....	4(100) Wall Thickness
Fig. 5640-06	.....	6(150) Wall Thickness
Fig. 5640-08	.....	8(205) Wall Thickness
Fig. 5640-10	.....	10(255) Wall Thickness
Fig. 5640-12	.....	12(305) Wall Thickness
Fig. 5640-14	.....	14(356) Wall Thickness



**NOTES:**

- Hydrant shall be installed in horizontal position only with hose connection pointing down. Use in commercial and residential applications.
- When ordering, specify wall thickness in 02"(51) increments as follows: 04(100), 06(150), 08(205) 10(255), 12 (305) or 14(356).
- All Jay R. Smith hydrants are manufactured with "NO-LEAD" brazing rings and USDA approved lubricants.
- The AB1953, California Lead Law and NSF/ANSI Standard 61-2008 - Drinking Water Components are not applicable to Jay R. Smith hydrants as they do not convey/dispense water for human consumption through drinking or cooking.
- Dimensions shown in parentheses are in millimeters.
- FOR IRRIGATION PURPOSES ONLY.**
- Conforms to American Society of Sanitary Engineering (ASSE) Standard 1019-A.

**REGULARLY FURNISHED:**

Lead Free Rough Bronze Chrome Plated  
 Non-Freeze Hydrant with Integral Wall Flange  
 and Vacuum Breaker, Wheel Handle and 3/4"(19)  
 Hose Connection.

DRAWING NUMBER  
**S5640**

SIZE  
**A**

SCALE:  
**NONE**

DATE:  
**10-25-16**

APPROVED BY:  
**SJM**

CHECKED BY:  
**JM**

DRAWN BY:  
**TBW**

**5640**

FIGURE NUMBER

WE CAN ASSUME NO RESPONSIBILITY FOR USE OF SUPERSEDED OR VOID DATA

DIMENSIONS ARE SUBJECT TO MANUFACTURERS TOLERANCE AND CHANGE WITHOUT NOTICE

REV.	DATE	DESCRIPTION	BY	CKD. BY

WEIGHT POUNDS	
---------------	--

VOLUME CUBIC FEET	
-------------------	--

FIGURE NUMBER <b>5640</b>
------------------------------