

1/4 TURN QUARTERHORSE WARM CLIMATE WALL HYDRANT

BRONZE BOX TYPE "TWIN-TEMP" FOR HOT AND COLD WATER

FUNCTION: Provides a concealed hose connection for installation in interior or exterior walls where there is no danger of freezing. Ideal for use in food handling areas, dairies and other areas where both hot and cold water are desired. The recessed box conceals the hose connection and operating mechanics. 1/4 turn of the key allows full flow to be obtained. The locking cover prevents unauthorized use.

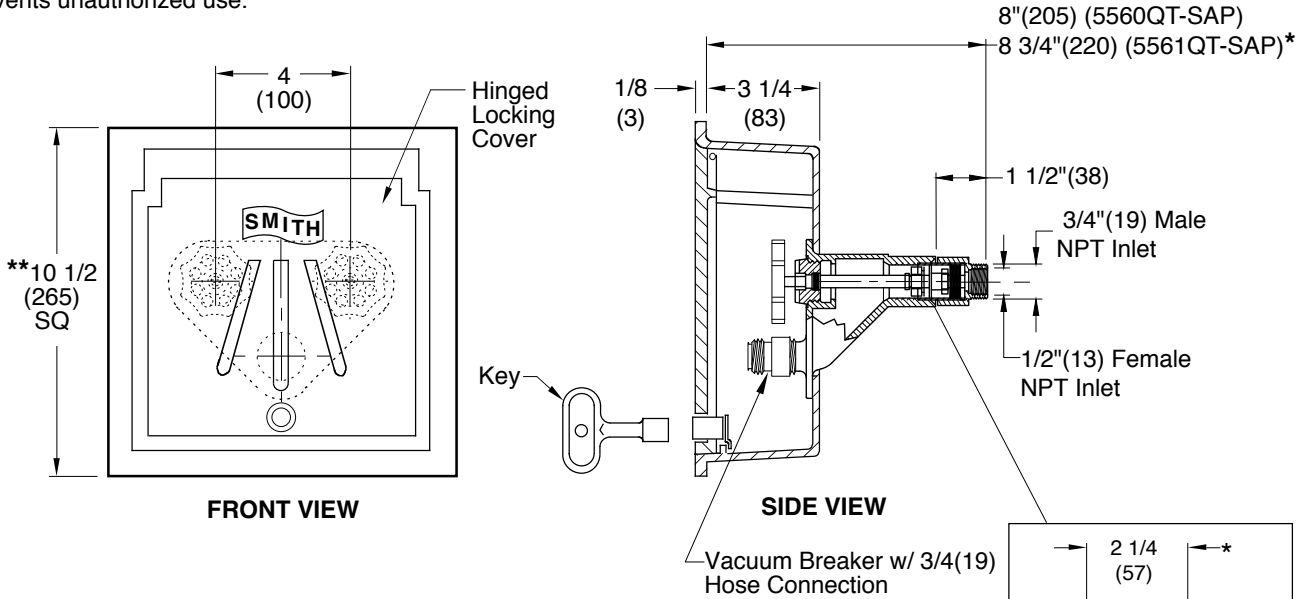


Fig. 5560QT-SAP 1/2"(13) FEMALE & 3/4"(19) MALE INLET
 Fig. 5561QT-SAP 1"(25) MALE NPT INLET*

* When specifying a 5561QT-SAP add 3/4"(19) to length of inlet connection as shown above.

Installer is responsible for providing a 100% watertight positive seal at the hydrant to box interface and hydrant to wall interface. Seal all interior joints, seams, gasket seams/closures including around the hydrant box flange with an appropriate sealant recommended by a sealant manufacturer. NOTE: Jay R. Smith does not warrant the performance or life expectancy of the sealant material.

REGULARLY FURNISHED:

Bronze Quarter Turn "Twin-Temp" Hydrant with hose Connection, "T" Handle Key and Bronze Box with Chrome Plated Face. Inlet Size Furnished as Indicated by Figure Number Selected.

VARIATIONS:

- Cylinder Lock -CL
- 1"(25) Hose Connection -HC1
- 3/4"(19) Vacuum Breaker (Self Draining Type) -H
- Wheel Handle -WH
- "Water" Cast On Cover -W

OPTIONAL MATERIALS:

- Nickel Bronze Box -NB
- Polished Bronze Hydrant -PB
- Rough Bronze Box -RB

- NOTES:**
1. Recommended Wall Opening 9 3/4"(250) x 9 3/4"(250).**
 2. All Jay R. Smith hydrants are manufactured with "NO-LEAD" brazing rings and USDA approved lubricants.
 3. The AB1953, California Lead Law, and NSF/ANSI Standard 61-2008 - Drinking Water System Components are not applicable to Jay R. Smith hydrants as they do not convey/dispense water for human consumption through drinking or cooking.
 4. When vacuum breaker is supplied the hose must be removed to allow draining to prevent freezing.
 5. Dimensions shown in parentheses are in millimeters.
 6. **FOR IRRIGATION PURPOSES ONLY.**

DRAWING NUMBER: 5560QT (-SAP-H-WH) / 5561QT (-SAP-H-WH)
 SIZE: A
 SCALE: NONE
 DATE: 8-23-11
 APPROVED BY: CL
 CHECKED BY: CL
 DRAWN BY: TBW
 DIMENSIONS ARE SUBJECT TO MANUFACTURERS TOLERANCE AND CHANGE WITHOUT NOTICE

FIGURE NUMBER	C B A	10-16-18 8-9-16 2-4-13	Rev. Reg. Furn., Variations Added Note Revised Notes	TBW TBW TBW	CL BW CL	WEIGHT POUNDS	VOLUME CUBIC FEET	FIGURE NUMBER 5560QT (-SAP-H-WH) 5561QT (-SAP-H-WH)
REV.	DATE	DESCRIPTION	BY	CKD. BY				