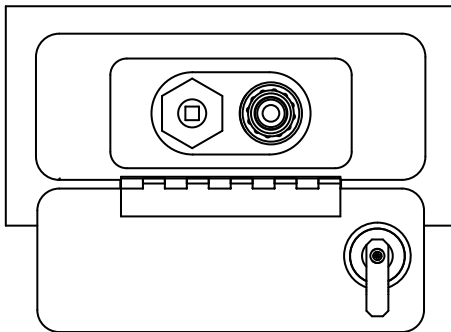


NARROW WALL WARM CLIMATE HYDRANT

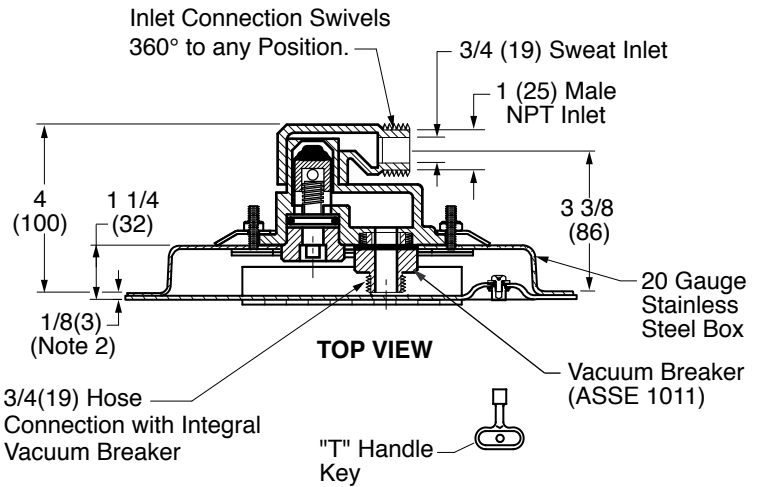
BOX TYPE WITH CONCEALED HOSE CONNECTION

FUNCTION: For installation in interior or exterior wall of building where a concealed hose connection is desired and there is no danger of freezing. Hydrant features an integral type vacuum breaker. The locking cover prevents unauthorized use.

The hydrant contained within the box assembly is the 5618 Warm Climate Hydrant which complies with the Lead Free Plumbing Law. Certified by the IAPMO R & T, File No. 6127 (NSF/ANSI 372)

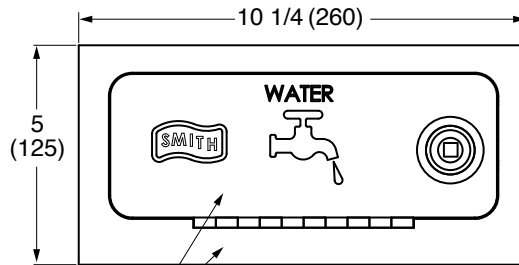


FRONT VIEW with COVER OPEN



TOP VIEW

3/4(19) Hose Connection with Integral Vacuum Breaker



FRONT VIEW

16 Gauge Frame and Hinged Locking Cover (Cover opens full 180)

A small amount of water seepage may occur from the vacuum breaker and operating screw upon initial opening and closing of the hydrant. This is normal operation.

FIG. 5518

Installer is responsible for providing a 100% watertight positive seal at the hydrant to box interface and hydrant to wall interface. Seal all interior joints, seams, gasket seams/closures including around the hydrant box flange with an appropriate sealant recommended by a sealant manufacturer. NOTE: Jay R. Smith does not warrant the performance or life expectancy of the sealant material.

NOTES:

1. Recommended wall opening is 3 3/16 (83) x 8 1/2 (215).
2. Add 3/8 (10) when optional box face material is specified.
3. All Jay R. Smith hydrants are manufactured with "NO LEAD" brazing rings and USDA approved lubricants.
4. Dimensions shown in parentheses are in millimeters.
5. The AB1953, California Lead Law, and NSF/ANSI Standard 61-2008 - Drinking Water System Components are not applicable to Jay R. Smith hydrants as they do not convey/dispense water for human consumption through drinking or cooking.

REGULARLY FURNISHED:

All Bronze Warm Climate Hydrant with Chrome Plated Face, Hose Connection having Integral ASSE 1011 Vacuum Breaker, 360 Swivel Inlet Connection, "T" Handle Key and Stainless Steel Box.

VARIATIONS:

Cylinder Lock -CL

OPTIONAL MATERIALS:

- Polished Bronze Box Face -PB
- Nickel Bronze Box Face -NB
- Rough Bronze Box Face -RB
- Chrome Plated Box Face -CP

DRAWING NUMBER: 5518
 SIZE: A
 SCALE: NONE
 DATE: 8-11-09
 APPROVED BY: CL
 CHECKED BY: CL
 DRAWN BY: RN
 DIMENSIONS ARE SUBJECT TO MANUFACTURERS TOLERANCE AND CHANGE WITHOUT NOTICE

REV.	DATE	DESCRIPTION	BY	CKD. BY	WEIGHT POUNDS	VOLUME CUBIC FEET	FIGURE NUMBER
F	11-15-19	Revised Note	MW	CL			5518
D	7-20-16	Added Note	TBW	BW			
E	6-17-16	Added Note	TBW	TWK			
C	1-31-13	Revised Notes	TBW	CL			

B

SMITH® JAY R. SMITH MFG. CO.®
 MEMBER OF MORRIS GROUP INTERNATIONAL
 POST OFFICE BOX 3237
 MONTGOMERY, ALABAMA 36109-0237 (USA)
 TEL: 334-277-8520 FAX: 888-377-7818 www.jrsmith.com



LOCATION

DRAWING NUMBER
S5518BS

SIZE
A

SCALE:
NONE

DATE:
08/26/09

APPROVED BY:
CL

CHECKED BY:
CL

DRAWN BY:
JJ

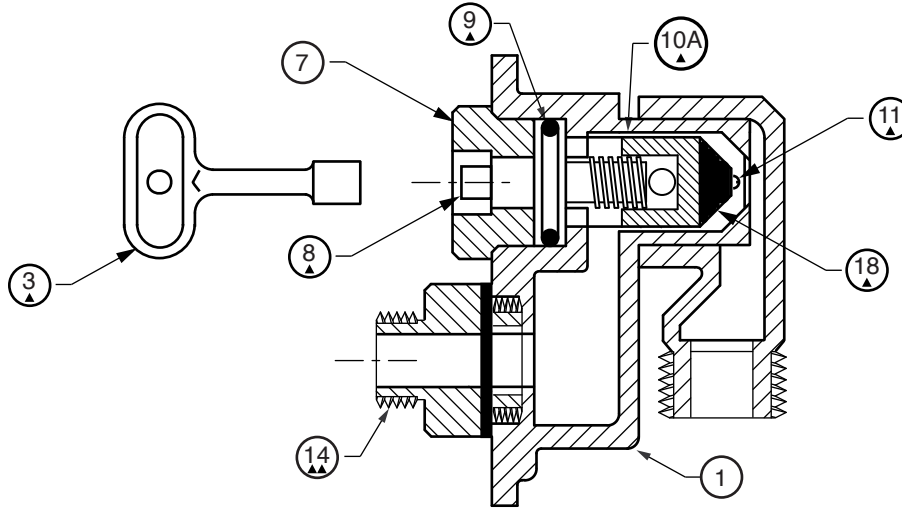
5518BS

FIGURE NUMBER

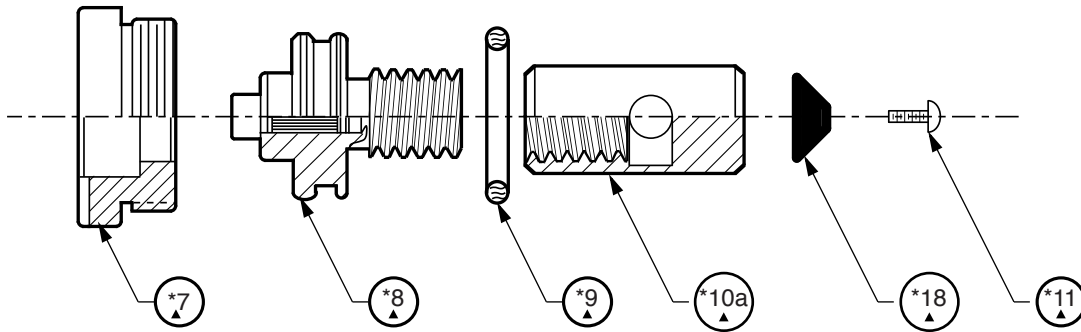
PARTS LIST WITH MAINTENANCE INSTRUCTIONS

WE CAN ASSUME NO RESPONSIBILITY FOR USE OF SUPERSEDED OR VOID DATA

DIMENSIONS ARE SUBJECT TO MANUFACTURERS TOLERANCE AND CHANGE WITHOUT NOTICE



▲▲ THESE REPLACEMENT PARTS AVAILABLE IN HPRK-18VB



▲ THESE REPLACEMENT PARTS AVAILABLE IN HPRK-18

MAINTENANCE INSTRUCTIONS:

1. Shut off water supply.
2. Remove face nut.
3. Pull stem out for complete access to all working parts.
4. Check all working parts for replacement.
5. Replace complete stem assembly and face nut.

* These Parts are accessible from face of hydrant by removing face nut.

HYDRANT PARTS LIST			
No.	Description	No.	Description
1	Head/Casing Assembly	10a	Coupling
3	Key	11	Washer Screw
7	Face Nut	14	Vacuum Breaker
8	Operating Screw	18	Plunger Washer
9	Operating Screw "O" Ring		

Installer is responsible for providing a 100% watertight positive seal at the hydrant to box interface and hydrant to wall interface. Seal all interior joints, seams, gasket seams/closures including around the hydrant box flange with an appropriate sealant recommended by a sealant manufacturer. NOTE: Jay R. Smith does not warrant the performance or life expectancy of the sealant material.

B	7-20-16	Added Note Rev. Replacement Parts	TBW	BW	WEIGHT POUNDS	VOLUME CUBIC FEET	FIGURE NUMBER 5518BS
A	12-3-12		TBW	CL			
REV.	DATE	DESCRIPTION	BY	CKD. BY			