

B
 DRAWING NUMBER S5515-R
 SIZE A
 SCALE: NONE
 DATE: 10-25-16
 APPROVED BY: SJM
 CHECKED BY: SJ
 DRAWN BY: TBW
 5515-R
 FIGURE NUMBER

WE CAN ASSUME NO RESPONSIBILITY FOR USE OF SUPERSEDED OR VOID DATA
 DIMENSIONS ARE SUBJECT TO MANUFACTURERS TOLERANCE AND CHANGE WITHOUT NOTICE

GUARDIAN PLUS DUAL CHECK
1/4 TURN NON-FREEZE HYDRANT WITH AUTOMATIC DRAINING INTEGRAL
VACUUM BREAKER, INTEGRAL SERVICE SHUT-OFF VALVE AND DUAL CHECK VALVE

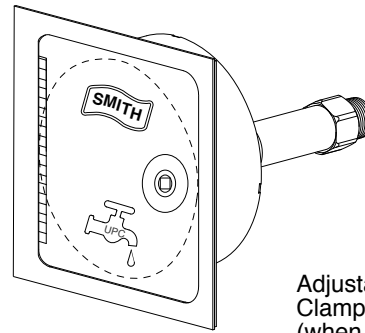
HYDRANT BOX FOR 6" (150) DIAMETER CORED HOLE IN CONCRETE EXTERIOR WALL

Installer is responsible for providing a 100% watertight positive seal at the hydrant to box interface and hydrant to wall interface. Seal all interior joints, seams, gasket seams/closures including around the hydrant box flange with an appropriate sealant recommended by a sealant manufacturer. NOTE: Jay R. Smith does not warrant the performance or life expectancy of the sealant material.

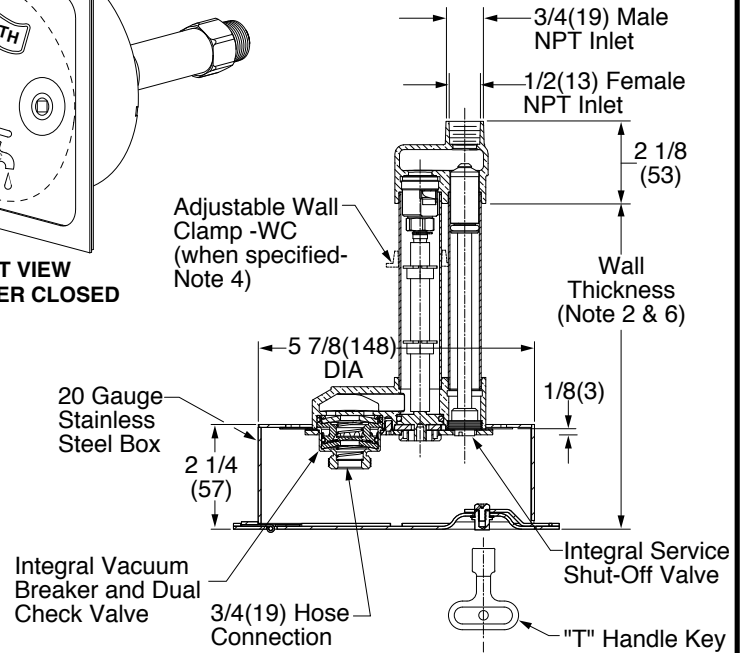
1/4 Turn of the Key or Wheel Handle Allows Full Flow to Be Obtained

NOTES:

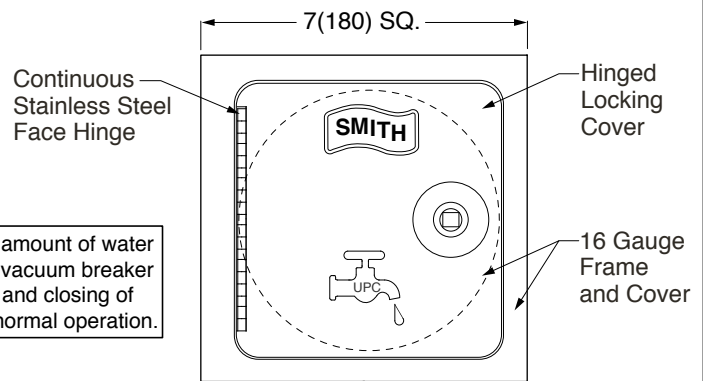
1. Recommended wall opening: 6(150) DIA.
2. When ordering specify wall thickness in 1(25) increments as follows 5,6,7, 8,9.....24.
3. All Jay R. Smith hydrants are manufactured with "NO LEAD" brazing rings and USDA approved lubricants.
4. When wall clamp -WC is specified increase the wall thickness dimension by 2(51).
5. Add 3/4 (19) to overall length when -IC1 is specified.
6. When specifying the -SAP mild climate the wall thickness shall be 5(125).
7. Dimensions shown in parentheses are in millimeters.
8. The AB1953, California Lead Law, and NSF/ANSI Standard 61-2008 - Drinking Water Systems Components are not applicable to Jay R. Smith hydrants as they do not convey/dispense water for human consumption through drinking or cooking.
9. An additional inlet isolation or shut-off valve is usually not needed with this hydrant, but if required it should be mounted (10) feet or more from the hydrant inlet.
10. Temperature Range: 33.0°F to 140.0°F (0.6°C to 60.0 °C).
11. This ASSE 1019 device shall not be subjected to more than twelve (12) hours of continuous water pressure.
12. **FOR IRRIGATION PURPOSES ONLY.**



FRONT VIEW WITH COVER CLOSED



TOP VIEW



FRONT VIEW

Seepage of a small amount of water may occur from the vacuum breaker upon initial opening and closing of the hydrant. This is normal operation.

REGULARLY FURNISHED:

Bronze Quarter Turn Non-Freeze Automatic Draining Hydrant with Stainless Steel Face, Hose Connection, Integral Vacuum Breaker, Integral Service Shut-Off Valve, Dual Check Valve, "T" Handle Key and Stainless Steel Box with Full 180° Cover Opening.

VARIATIONS:

- Adjustable Wall Clamp -WC (Note 4)
- 1" Hose Connection -HC1
- 1" Male NPT Inlet
- Connection -IC1 (Note 5)
- Mild Climate -SAP (Note 6)
- "Water" on Cover -W

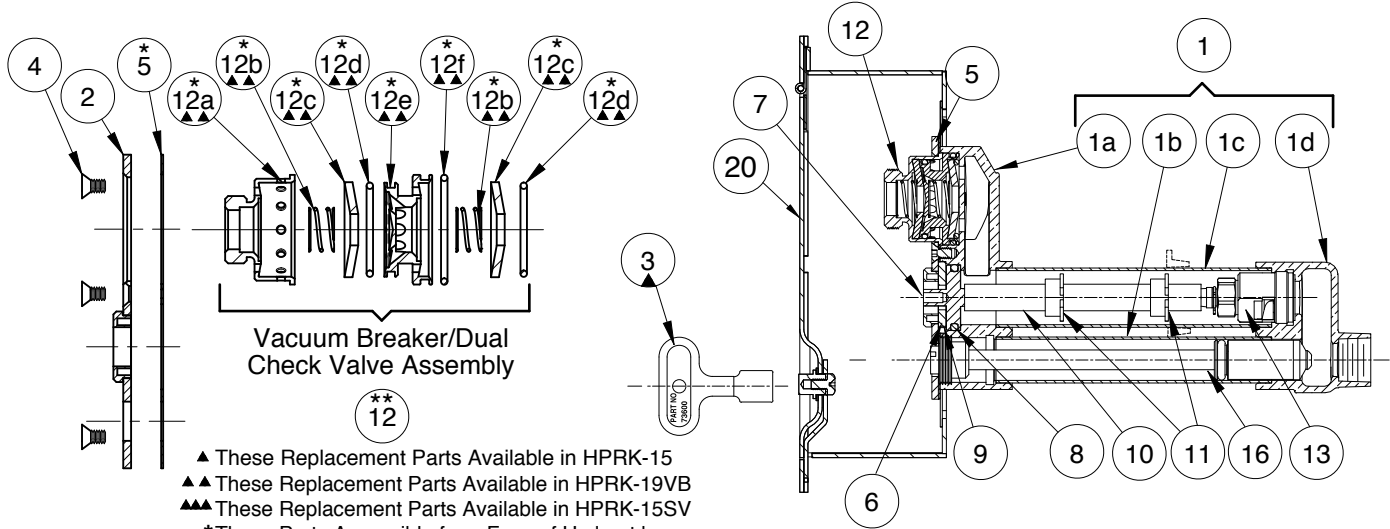
NOTE: Dimensions shown in parentheses are in millimeters.

Meets ANSI A112.21.3M Specifications Complies w/ ASSE 1019-B, 1052 and 1053. IAPMO Listed- File #2749, Patent No. 8,973,599

REV.	DATE	DESCRIPTION	BY	CKD. BY	WEIGHT POUNDS	VOLUME CUBIC FEET	FIGURE NUMBER
B	4-20-20	Revised Notes	TBW	CL			5515-R
A	4-5-18	Added Note	TBW	BW			

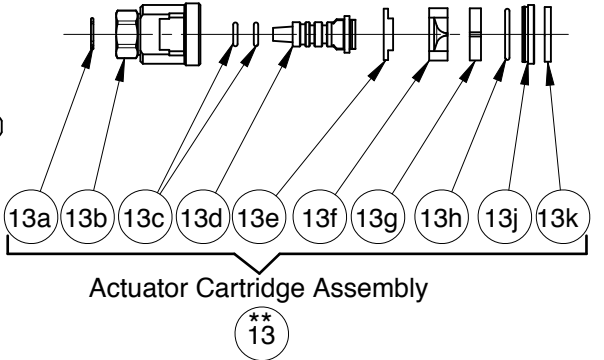
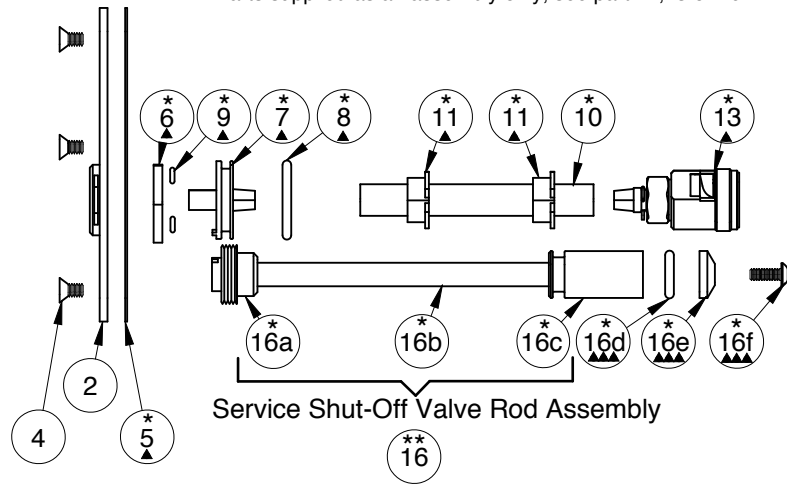
GUARDIAN PLUS DUAL CHECK WALL HYDRANT PARTS LIST

DRAWING NUMBER: 5515-R-BS
 SIZE: A
 SCALE: NONE
 DATE: 10-25-16
 APPROVED BY: SUM
 CHECKED BY: JIM
 DRAWN BY: TBW
 DIMENSIONS ARE SUBJECT TO MANUFACTURERS TOLERANCE AND CHANGE WITHOUT NOTICE
 WE CAN ASSUME NO RESPONSIBILITY FOR USE OF SUPERSEDED OR VOID DATA



- ▲ These Replacement Parts Available in HPRK-15
- ▲▲ These Replacement Parts Available in HPRK-19VB
- ▲▲▲ These Replacement Parts Available in HPRK-15SV
- * These Parts Accessible from Face of Hydrant by Removing Wall Plate Assembly.
- ** Parts supplied as an assembly only, see part 12, 13 or 16.

Installer is responsible for providing a 100% watertight positive seal at the hydrant to box interface and hydrant to wall interface. Seal all interior joints, seams, gasket seams/closures including around the hydrant box flange with an appropriate sealant recommended by a sealant manufacturer. NOTE: Jay R. Smith does not warrant the performance or life expectancy of the sealant material.



HYDRANT PARTS LIST							
NO.	DESCRIPTION	NO.	DESCRIPTION	NO.	DESCRIPTION	NO.	DESCRIPTION
1	Casing Assembly	8	Moveable Operator O-Ring	12e	**Flow Diverter	13h	**O-Ring
1a	Head	9	Drain Hole Seal (2)	12f	**Large O-Ring	13j	**O-Ring Gasket Retainer
1b	Casing	10	Operator Rod	13	Actuator Cartridge Assembly	13k	**Rubber Seal
1c	Casing	11	Operator Rod Guides (2)	13a	**Retaining Ring	16	Service Valve Rod Assembly
1d	Valve Housing	12	Vacuum Breaker/Dual Check Valve Assembly	13b	**Valve Body	16a	**Service Valve Operator
2	Wall Plate Assembly	12a	**Vacuum Breaker Housing	13c	**Actuator O-Ring (2)	16b	**Service Valve Rod
3	Key	12b	**Spring (2)	13d	**Valve Actuator	16c	**Service Valve Plunger
4	Wall Plate Securing Screw (5)	12c	**Cone Washer (2)	13e	**Nylon Thrust Washer	16d	Service Valve O-Ring
5	Wall Plate Gasket	12d	**Small O-Ring	13f	**Rotating Ceramic Disc	16e	Service Valve Conical Washer
6	Stationary Operator Piece			13g	**Fixed Ceramic Disc	16f	Service Valve Washer Screw
7	Moveable Operator Piece					20	Box Assembly

A	4-5-18	Added Note	TBW	BW
REV.	DATE	DESCRIPTION	BY	CKD. BY

WEIGHT POUNDS	VOLUME CUBIC FEET	FIGURE NUMBER
		5515-R-BS