

L
 DRAWING NUMBER **5515**
 SIZE **A**
 SCALE: **NONE**
 DATE: **11-29-11**
 APPROVED BY: **CL**
 CHECKED BY: **CL**
 DRAWN BY: **TBW**
5515
 FIGURE NUMBER

WE CAN ASSUME NO RESPONSIBILITY FOR USE OF SUPERSEDED OR VOID DATA
 DIMENSIONS ARE SUBJECT TO MANUFACTURERS TOLERANCE AND CHANGE WITHOUT NOTICE

GUARDIAN PLUS DUAL CHECK

1/4 TURN NON-FREEZE HYDRANT WITH AUTOMATIC DRAINING INTEGRAL VACUUM BREAKER, INTEGRAL SERVICE SHUT-OFF VALVE, DUAL CHECK VALVE, AND STAINLESS STEEL BOX

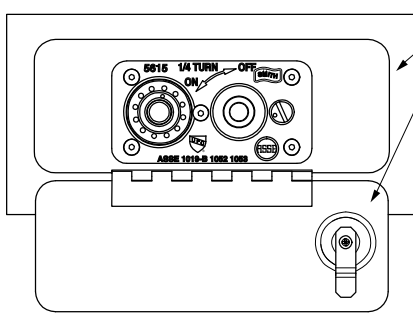
FUNCTION: Provides positive non-freeze protection where water is required at the outside of the building and features an integral vacuum breaker, dual check valve and water service shut-off valve. The stainless steel box conceals the nozzle and operating mechanism. The locking cover prevents unauthorized use.

1/4 Turn of the Key or Wheel Handle Allows Full Flow to be Obtained

Meets ASME A112.21.3M

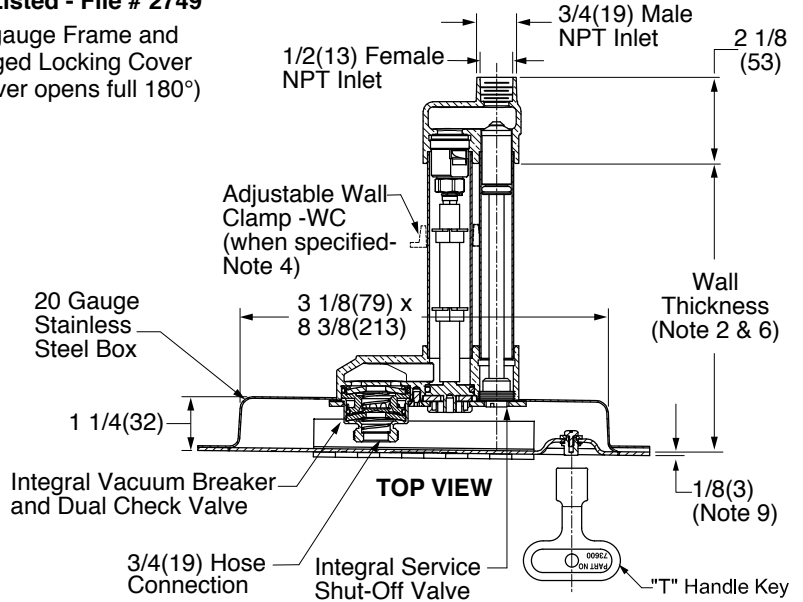
Complies with ASSE 1019-B, 1052 & 1053

IAPMO Listed - File # 2749

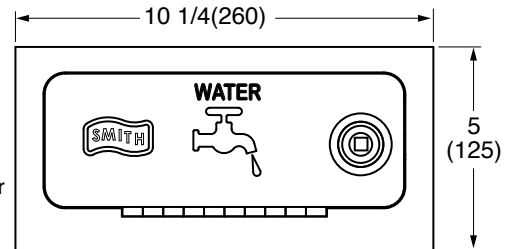


FRONT VIEW with COVER OPEN

16 gauge Frame and Hinged Locking Cover (Cover opens full 180°)



TOP VIEW



FRONT VIEW

[Seepage of a small amount of water may occur from the vacuum breaker upon the initial opening of this hydrant. This is normal operation.]

Installer is responsible for providing a 100% watertight positive seal at the hydrant to box interface and hydrant to wall interface. Seal all interior joints, seams, gasket seams/closures including around the hydrant box flange with an appropriate sealant recommended by a sealant manufacturer. NOTE: Jay R. Smith does not warrant the performance or life expectancy of the sealant material.

REGULARLY FURNISHED:

Bronze Quarter Turn Non-Freeze Automatic Draining Hydrant with Stainless Steel Face, Hose Connection, Integral Vacuum Breaker, Integral Service Shut-Off Valve, Dual Check Valve, "T" Handle Key and Stainless Steel Box with Full 180° Cover Opening.

VARIATIONS:

- Adjustable Wall Clamp -WC (Note 4)
- 1" Hose Connection -HC1
- 1" Male NPT Inlet
- Connection -IC1 (Note 5)
- Mild Climate -SAP (Note 6)
- Cylinder Lock -CL
- Wheel Handle -WH

OPTIONAL MATERIALS:

- Polished Bronze Box Face -PB
- Nickel Bronze Box Face -NB
- Rough Bronze Box Face -RB
- Chrome Plated Box Face -CP

PATENT NO. 8,973,599
 PATENT NO. 10, 017,921

L	4-20-20	Revised Notes	TBW	CL	WEIGHT	VOLUME	FIGURE NUMBER
K	7-26-18	Added Patent No.	TBW	TBW	POUNDS	CUBIC FEET	<h1 style="margin: 0;">5515</h1>
J	7-19-16	Added Note	TBW	BW			
H	5-11-15	Added Patent No.	TBW	TBW			
REV.	DATE	DESCRIPTION	BY	CKD. BY			

D

SMITH® JAY R. SMITH MFG. CO.®
 MEMBER OF MORRIS GROUP INTERNATIONAL
 POST OFFICE BOX 3237
 MONTGOMERY, ALABAMA 36109-0237 (USA)
 TEL: 334-277-8520 FAX: 888-377-7818 www.jrsmith.com



LOCATION

GUARDIAN PLUS DUAL CHECK WALL HYDRANT PARTS LIST

DRAWING NUMBER
5515BS

SIZE
A

SCALE:
NONE

DATE:
11-29-11

APPROVED BY:
CL

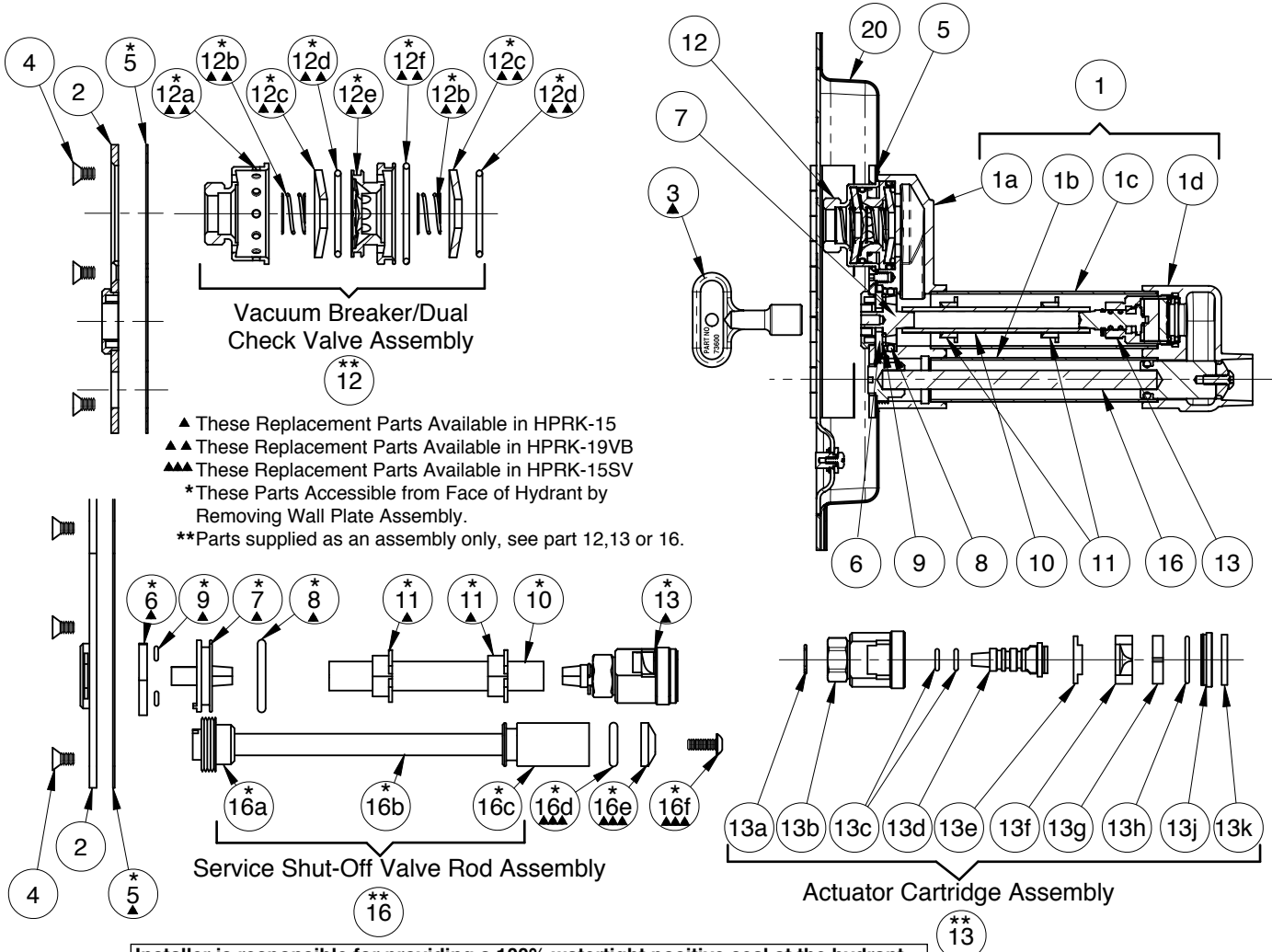
CHECKED BY:
CL

DRAWN BY:
TBW

FIGURE NUMBER
5515BS

WE CAN ASSUME NO RESPONSIBILITY FOR USE OF SUPERSEDED OR VOID DATA

DIMENSIONS ARE SUBJECT TO MANUFACTURERS TOLERANCE AND CHANGE WITHOUT NOTICE



Installer is responsible for providing a 100% watertight positive seal at the hydrant to box interface and hydrant to wall interface. Seal all interior joints, seams, gasket seams/closures including around the hydrant box flange with an appropriate sealant recommended by a sealant manufacturer. NOTE: Jay R. Smith does not warrant the performance or life expectancy of the sealant material.

HYDRANT PARTS LIST							
NO.	DESCRIPTION	NO.	DESCRIPTION	NO.	DESCRIPTION	NO.	DESCRIPTION
1	Casing Assembly	9	Drain Hole Seal (2)	13a	**Retaining Ring	16	Service Valve Rod Assembly
1a	Head	10	Operator Rod	13b	**Valve Body	16a	**Service Valve Operator
1b	Casing	11	Operator Rod Guides (2)	13c	**Actuator O-Ring (2)	16b	**Service Valve Rod
1c	Casing	12	Vacuum Breaker/Dual Check Valve Assembly	13d	**Valve Actuator	16c	**Service Valve Plunger
1d	Valve Housing	12a	**Vacuum Breaker Housing	13e	**Nylon Thrust Washer	16d	Service Valve O-Ring
2	Wall Plate Assembly	12b	**Spring (2)	13f	**Rotating Ceramic Disc	16e	Service Valve Conical Washer
3	Key	12c	**Cone Washer (2)	13g	**Fixed Ceramic Disc	16f	Service Valve Washer Screw
4	Wall Plate Securing Screw (5)	12d	**Small O-Ring	13h	**O-Ring	20	Box Assembly
5	Wall Plate Gasket	12e	**Flow Diverter	13j	**O-Ring Gasket Retainer		
6	Stationary Operator Piece	12f	**Large O-Ring	13k	**Rubber Seal		
7	Movable Operator Piece	13	Actuator Cartridge Assembly				
8	Movable Operator O-Ring						

D	7-19-16	Added Note Rev. Note Rev. Drawing, Parts List Rev. Title	TBW	BW	WEIGHT POUNDS	VOLUME CUBIC FEET	FIGURE NUMBER 5515BS
C	4-23-14		TBW	CL			
B	3-20-12		TBW	CL			
A	2-21-12		TBW	CL			
REV.	DATE	DESCRIPTION	BY	CKD. BY			