

WATER HAMMER ARRESTERS, HYDRANTS AND ACCESSORIES

500 Series

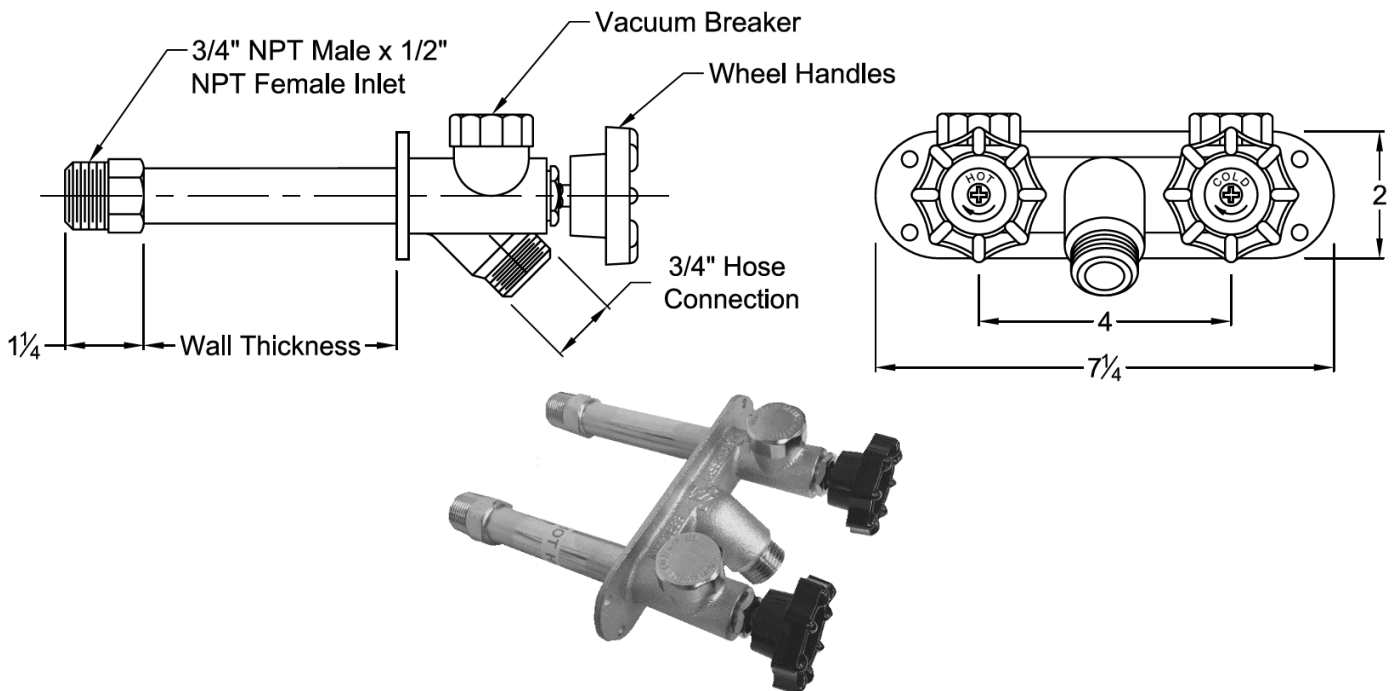
Freezeless Sillcock, Series 540

TAG _____

Product Description: Dual temp hot and cold non-freeze lawn faucet with chrome finish, integral anti-siphon vacuum breakers, brass casing, bronze interior parts, operating rod with free-floating compression closure valves, one-piece head casting and easy-grip powder coated handles.

Features and Benefits:

- Used for commercial and residential applications
- Backflow protected
- Self-draining, freezeless
- Conforms to the American Society of Sanitary Engineers (ASSE) Standard 1019-A
- IAPMO Listed, File No. 3856
- Complies with the Lead Plumbing Law, Certified by IAPMO R&T, File No. 7567 (NSF/ANSI 372)



Series Number	Inlet Connection	Wall Thickness	Finish
540-04	3/4" NPT Male Thread x 1/2" NPT Female Thread	4"	Chrome
540-06	3/4" NPT Male Thread x 1/2" NPT Female Thread	6"	Chrome
540-08	3/4" NPT Male Thread x 1/2" NPT Female Thread	8"	Chrome
540-10	3/4" NPT Male Thread x 1/2" NPT Female Thread	10"	Chrome
540-12	3/4" NPT Male Thread x 1/2" NPT Female Thread	12"	Chrome
540-14	3/4" NPT Male Thread x 1/2" NPT Female Thread	14"	Chrome

NOTES: 1. Dimensional data is subject to manufacturing tolerances and change without notice.
 2. The AB1953, California Lead Law, and NSF/ANSI Standard 61-2008 – Drinking System Components are not applicable to JRS Products hydrants as they do not convey/dispense water for human consumption through drinking or cooking.



Series 540

SPM 1013

04/16



A Product of:
JAY R. SMITH MFG. CO.[®]
 MEMBER OF MORRIS GROUP INTERNATIONAL



WARNING: Cancer and Reproductive Harm - www.P65Warnings.ca.gov