

A

**SMITH® JAY R. SMITH MFG. CO.®**  
 MEMBER OF MORRIS GROUP INTERNATIONAL  
 POST OFFICE BOX 3237  
 MONTGOMERY, ALABAMA 36109-0237 (USA)  
 TEL: 334-277-8520 FAX: 334-272-7396 www.jrsmith.com



MEMBER OF:

LOCATION

DRAWING NUMBER  
S4881

SIZE  
A

SCALE:  
NONE

DATE:  
5-29-08

APPROVED BY:  
JM

CHECKED BY:  
CL

DRAWN BY:  
RN

4881

WE CAN ASSUME NO RESPONSIBILITY FOR USE OF SUPERSEDED OR VOID DATA

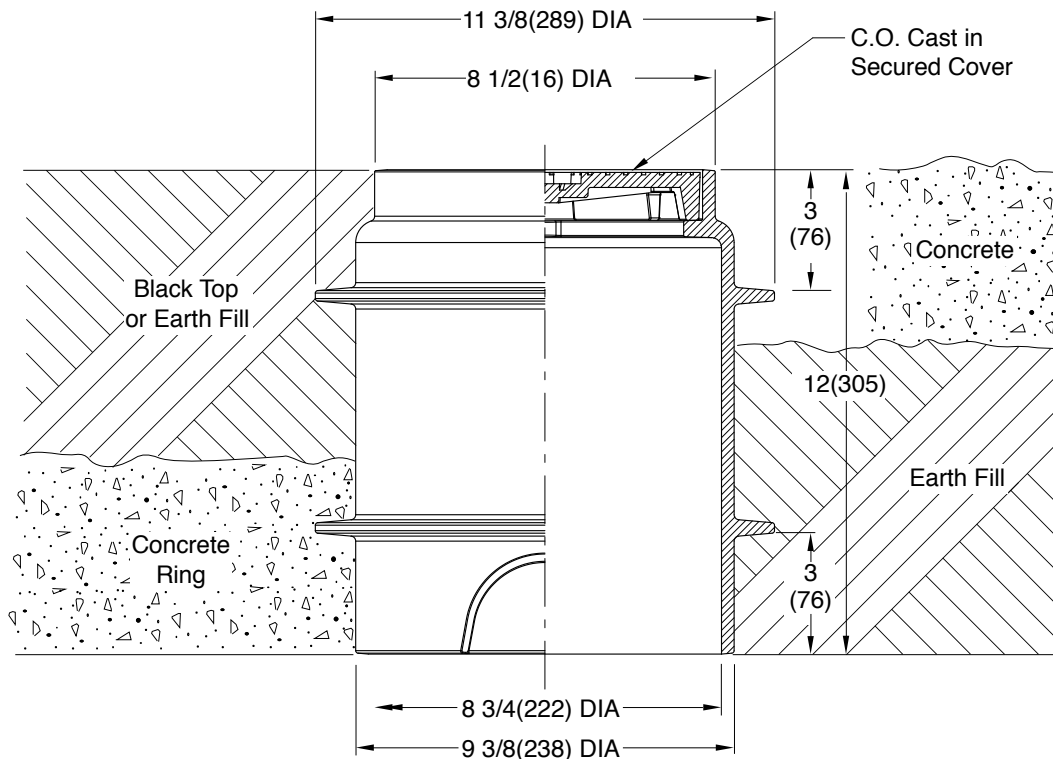
DIMENSIONS ARE SUBJECT TO MANUFACTURERS TOLERANCE AND CHANGE WITHOUT NOTICE

# FLOOR ACCESS COVERS

## ROUND FLANGED HOUSING WITH HEAVY DUTY CAST IRON COVER

**FUNCTION:** Used to cover cleanouts, valves, cocks, etc. High anchor flange permits use in areas surfaced with concrete or other poured materials. Low anchor flange is used with a ring of concrete poured below the surface for non-surfaced areas and areas surfaced with asphalt paving. Housing is completely free of piping so that no loading is transmitted to the pipe.

**NOTE:** For use with 6"(150) & 8"(200) size Fig. 4283 & 4293 Cleanout Ferrules.



**REGULARLY FURNISHED:**  
 Duco Cast Iron Double Flanged Body with Heavy Duty Secured Scoriated Cast Iron Cover with Lifting Device.

**VARIATIONS:**  
 Vandal Proof Screws -U  
 Cover Cast with Words  
 "Gas Shut-Off -GSO or  
 "Water Shut-Off -WSO

**OPTIONAL MATERIALS:**  
 Galvanized -G

**NOTE:** Dimensions shown in parentheses are in millimeters.

FIGURE NUMBER

REV.	DATE	DESCRIPTION	BY	CKD. BY
A	11-14-16	Revised Drawing New Body Style	TBW	CL

WEIGHT POUNDS

VOLUME CUBIC FEET

FIGURE NUMBER

4881