

DRAWING NUMBER: **S4788**  
 SIZE: **A**  
 SCALE: **NONE**  
 DATE: **3-25-15**  
 APPROVED BY: **SJM**  
 CHECKED BY: **JM**  
 DRAWN BY: **TBW**  
 DIMENSIONS ARE SUBJECT TO MANUFACTURERS TOLERANCE AND CHANGE WITHOUT NOTICE  
 WE CAN ASSUME NO RESPONSIBILITY FOR USE OF SUPERSEDED OR VOID DATA

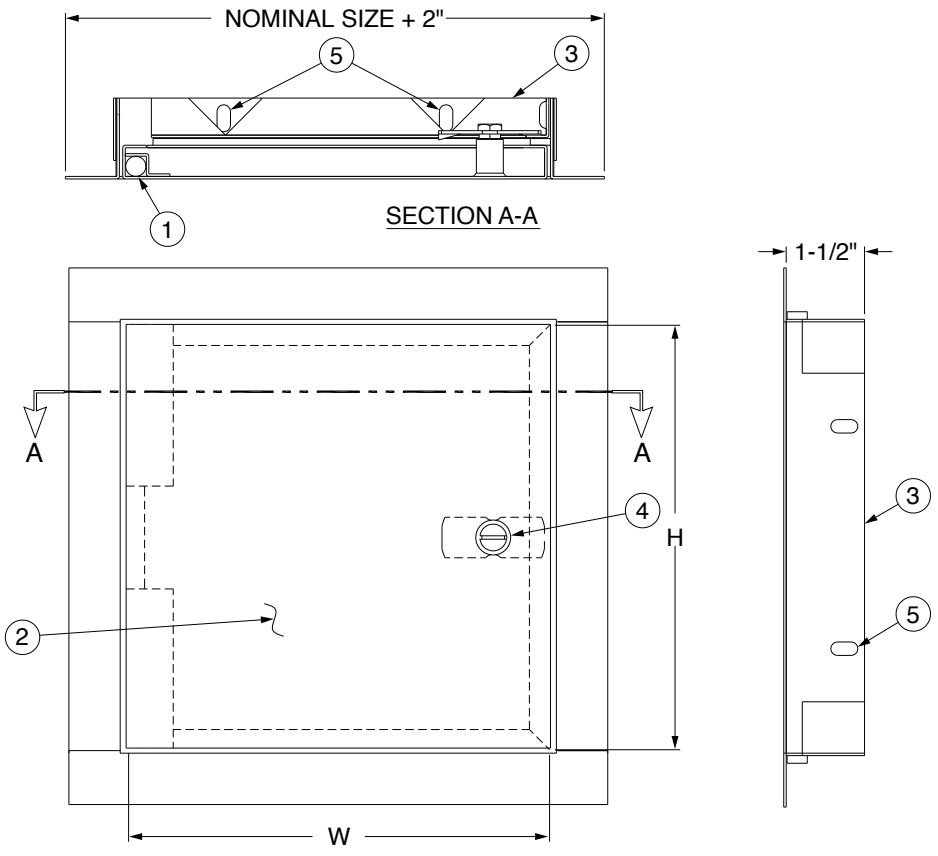
# GASKETED ACCESS DOORS



- ① Concealed pivoting rod hinge
- ② Door
- ③ Frame
- ④ Screwdriver operated latch
- ⑤ Mounting holes

**REGULARLY FURNISHED:**  
 Doors are ideally suited for new installations or for remodeling, in masonry, tile, wood or other wall and ceiling surfaces. Access door is fully gasketed and is commonly used in clean rooms, laboratories, operating rooms, etc. Door and frame are fabricated from 18 gage, galvanized steel with a prime coat white finish. Frame is one piece construction, 1" wide and provides perfect concealment of the rough wall opening. Wall frame is provided with 1/4" mounting holes for fastening within the furred spaces allowing faster installation and fixing maximum clearance. Concealed pivoting rod hinge prevents distortion and closes door squarely. Latch is screwdriver operated. Finish is a prime coat white.

**GUIDE SPECIFICATION:**  
 Provide 4788 Series, Gasketed Access Doors (Specify options). Access door and frame shall be fabricated from 18 gage, galvanized steel with a prime coat white finish. The door shall have rounded safety corners and a concealed pivoting rod hinge. Frame shall be one piece construction with no miters or welds on the face. Latch shall be screwdriver operated. Finish shall be a prime coat white.



**STANDARD AVAILABLE SIZES**  
 Special sizes available upon request

	NOMINAL DOOR SIZE (W X H)	WALL OPENING	LATCHES	WEIGHT
4788	8" x 8"	8-1/2" x 8-1/2"	1	3.5 lbs.
4788	12" x 12"	12-1/2" x 12-1/2"	1	6 lbs.
4788	16" x 16"	16-1/2" x 16-1/2"	2	9 lbs.
4788	18" x 18"	18-1/2" x 18-1/2"	2	10.5 lbs.
4788	24" x 24"	24-1/2" x 24-1/2"	2	16 lbs.
4788	24" x 36"	24-1/2" x 36-1/2"	2	22 lbs.

- VARIATIONS:**
- Allen Key Latch
  - Cylinder Lock (one per door) -CL
  - Stainless Steel Construction -SS  
Type 304 No. 4 Satin Finish

4788

REV.	DATE	DESCRIPTION	BY	CKD. BY	WEIGHT POUNDS	VOLUME CUBIC FEET	<b>FIGURE NUMBER</b> <b>4788</b>
------	------	-------------	----	---------	---------------	-------------------	-------------------------------------