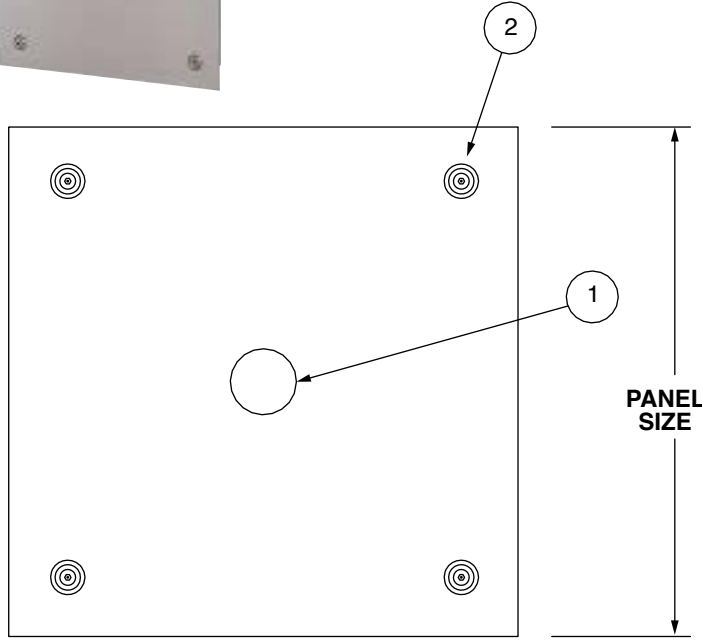


# FLUSH VALVE PANEL AND FRAME

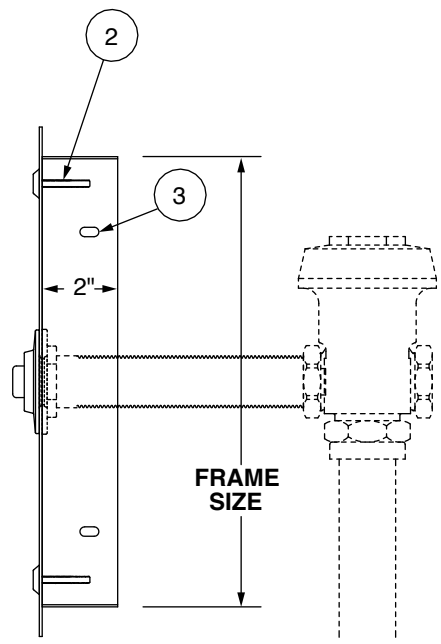
DRAWING NUMBER: S4786  
 SIZE: A  
 SCALE: NONE  
 DATE: 3-19-15  
 APPROVED BY: SJM  
 CHECKED BY: JM  
 DRAWN BY: TBW  
 DIMENSIONS ARE SUBJECT TO MANUFACTURERS TOLERANCE AND CHANGE WITHOUT NOTICE



- ① 1-3/4" Flush valve push button hole
- ② Four 1/4-20 x 1-1/4" stainless steel screws
- ③ Mounting holes



PANEL-FRONT VIEW



FRAME-SIDE VIEW

**REGULARLY FURNISHED:**

Wall panel and frame are designed for back supply toilets and urinals where the flush valve is built into the wall. This panel allows easy access to service the flush valve by maintenance personnel. Additionally the panel provides protection to the flush valve from vandalism. Wall panel is heavy gage, type 304, stainless steel with exterior surface polished to a satin finish. It is provided with a 1-3/4" diameter hole for the flush valve pushbutton. Panel is secured to the frame with four 1/4"- 20 x 1-1/4" tamper resistant, stainless steel screws. Frame is 16 gage jetcoat steel with a prime coat. Frame is provided with mounting holes for fastening within the furred spaces.

- 4786 12" x 12"
- 4786 13" x 17"

**GUIDE SPECIFICATION:**

Provide 4786 Flush Valve Panel and Frame. Wall Panel shall be fabricated from 14 gage, type 304, stainless steel with a satin finish on exposed surface. Frame shall be 16 gage jetcoat steel with a prime coat and shall have mounting holes. Panel shall be secured to frame with four 1/4" - 20 x 1-1/4" tamper resistant, stainless steel screws.

**4786**

REV.	DATE	DESCRIPTION	BY	CKD. BY

WEIGHT POUNDS	VOLUME CUBIC FEET

<b>FIGURE NUMBER</b>
<b>4786</b>