

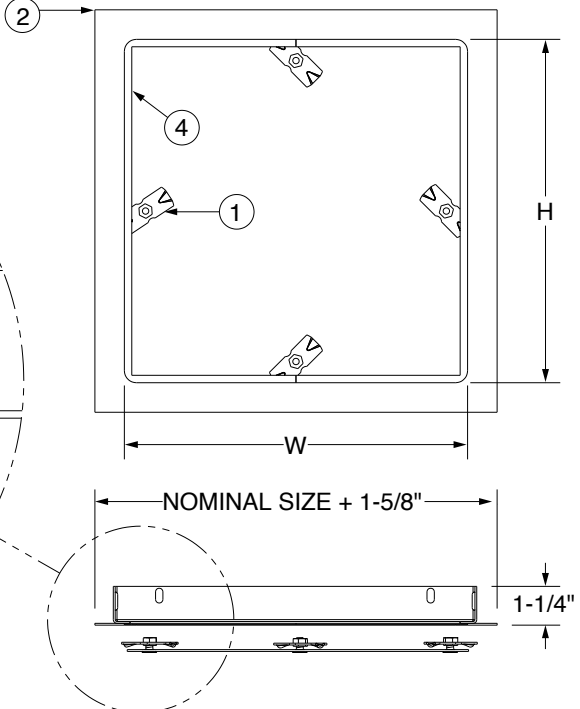
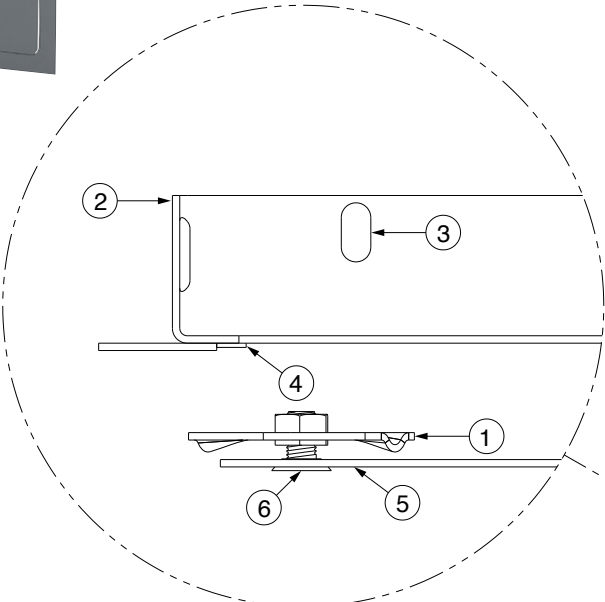
# WEATHER STRIP REMOVABLE ACCESS DOORS

DRAWING NUMBER: **S4784**  
 SIZE: **A**  
 SCALE: **NONE**  
 DATE: **3-19-15**  
 APPROVED BY: **SJM**  
 CHECKED BY: **JM**  
 DRAWN BY: **TBW**  
 FIGURE NUMBER: **4784**

WE CAN ASSUME NO RESPONSIBILITY FOR USE OF SUPERSEDED OR VOID DATA  
 DIMENSIONS ARE SUBJECT TO MANUFACTURERS TOLERANCE AND CHANGE WITHOUT NOTICE



- ① Latch assembly
- ② Frame
- ③ Frame mounting hole
- ④ Weather strip gasket
- ⑤ 16 gage door panel
- ⑥ Slotted flat head screw



**REGULARLY FURNISHED:**

Weather Strip Removable Access Doors are designed with flush gaskets between the panel and frame to ensure flush air seal in all types of walls and ceilings. *Note: Door has NOT been tested for air tightness.* Door and frame are fabricated from 16 gage galvanized steel with a prime coat finish. Frame is a one piece construction 1" wide and produces perfect concealment of the rough wall openings. Wall frame is provided with 1/4" mounting holes for fastening within the furred spaces allowing faster installation and giving maximum clearance. Door is fully removable and held in place by multiple latches. Latch is screwdriver operated. Finish is a prime coat suitable for painting.

**GUIDE SPECIFICATION:**

Provide 4784 Series, Weather Strip Removable Access Door (specify options). Access door and frame shall be gasketed between the panel and frame to ensure flush air seal in all types of walls and ceilings. Access door and frame shall be fabricated from 16 gage, galvanized steel with a prime coat finish. The door shall have rounded safety corners. Frame shall be one piece construction with no miters or welds on the face. Latches shall be screwdriver operated. Finish shall be a prime coat suitable for painting.

**STANDARD AVAILABLE SIZES**

Special sizes available upon request

NOMINAL DOOR SIZE (W X H)	Wall OPENING	LATCHES	WEIGHT
4784 8" x 8"	8-1/2" x 8-1/2"	4	3.0 lbs.
4784 10" x 10"	10-1/2" x 10-1/2"	4	4.0 lbs.
4784 12" x 12"	12-1/2" x 12-1/2"	4	5.5 lbs.
4784 14" x 14"	14-1/2" x 14-1/2"	4	6.0 lbs.
4784 16" x 16"	16-1/2" x 16-1/2"	4	7.5 lbs.
4784 18" x 18"	18-1/2" x 18-1/2"	6	9.0 lbs.
4784 24" x 24"	24-1/2" x 24-1/2"	8	15.0 lbs.

**VARIATIONS:**

- Allen Key Latch -AKL
- Cylinder Lock -CL
- Stainless Steel Construction -SS  
Type 304 No. 4 Satin Finish

REV.	DATE	DESCRIPTION	BY	CKD. BY
A	5-21-19	Revised Variations	MW	JM

WEIGHT POUNDS	VOLUME CUBIC FEET

FIGURE NUMBER
<b>4784</b>