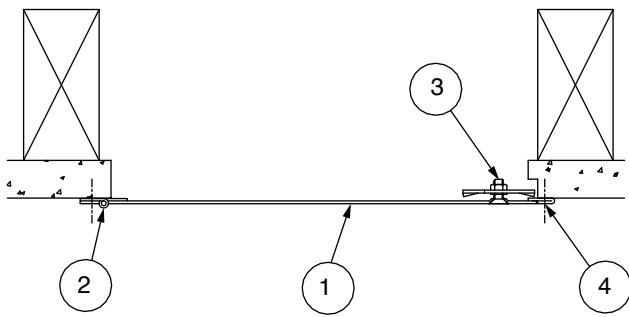


DRAWING NUMBER **S4778**  
 SIZE **A**  
 SCALE: **NONE**  
 DATE: **3-17-15**  
 APPROVED BY: **SJM**  
 CHECKED BY: **JM**  
 DRAWN BY: **TBW**  
**4778**  
 DIMENSIONS ARE SUBJECT TO MANUFACTURERS TOLERANCE AND CHANGE WITHOUT NOTICE  
 WE CAN ASSUME NO RESPONSIBILITY FOR USE OF SUPERSEDED OR VOID DATA

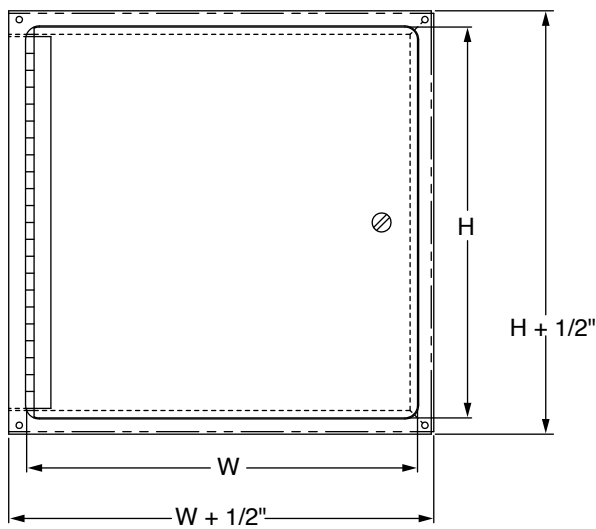
# SURF ACCESS DOORS



- ① Door
- ② Piano hinge
- ③ Screwdriver operated latch
- ④ Mounting holes



**SIDE VIEW**



**FRONT VIEW**

**REGULARLY FURNISHED:**

Doors are designed for surface installation on drywall, masonry or thin-coat plaster. Door features rounded safety corners and is attached to the frame with a continuous piano hinge allowing a 175 degree opening. Door and frame are fabricated from 14 gage, galvanized steel. Frame is easily secured to the studs and anchored through pre-drilled holes in each corner. No additional reinforcement is required. Latch is screwdriver operated. Finish is a prime coat suitable for painting.

**GUIDE SPECIFICATION:**

Provide 4778 Series, Surf Access Doors (specify options). Access door and frame shall be fabricated from 14 gage, galvanized steel with a prime coat finish. Door shall have a continuous piano hinge and rounded safety corners. Latch shall be screwdriver operated.

**STANDARD AVAILABLE SIZES**  
 Special sizes available upon request

	NOMINAL DOOR SIZE (WXH)	LATCHES	WEIGHT
4778	8" x 8"	1	2.5 lbs.
4778	10" x 10"	1	3.5 lbs.
4778	12" x 12"	1	4 lbs.
4778	14" x 14"	1	6 lbs.
4778	16" x 16"	1	8 lbs.
4778	18" x 18"	3	9.5 lbs.
4778	22" x 22"	3	13.5 lbs.
4778	24" x 24"	3	16 lbs.

**VARIATIONS:**

- Allen Key Latch -AKL
- Stainless Steel Construction -SS  
Type 304 No.4 Satin Finish

REV.	DATE	DESCRIPTION	BY	CKD. BY

WEIGHT POUNDS	VOLUME CUBIC FEET

<b>FIGURE NUMBER</b>
<b>4778</b>