

A

SMITH® JAY R. SMITH MFG. CO.®
 MEMBER OF MORRIS GROUP INTERNATIONAL
 POST OFFICE BOX 3237
 MONTGOMERY, ALABAMA 36109-0237 (USA)
 TEL: 334-277-8520 FAX: 334-272-7396 www.jrsmith.com



MEMBER OF:

LOCATION

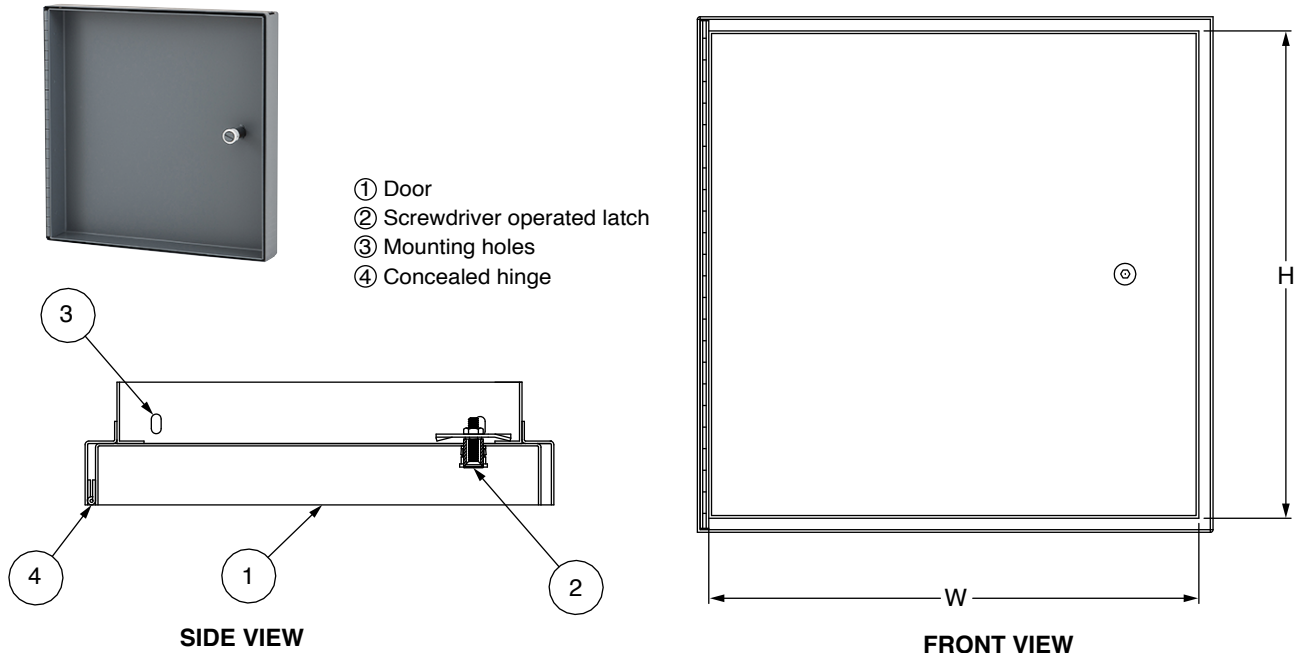
DRAWING NUMBER
S4774SIZE
ASCALE:
NONEDATE:
3-11-15APPROVED BY:
SJMCHECKED BY:
JMDRAWN BY:
TBW

4774

FIGURE NUMBER

WE CAN ASSUME NO RESPONSIBILITY FOR USE OF SUPERSEDED OR VOID DATA
DIMENSIONS ARE SUBJECT TO MANUFACTURERS TOLERANCE AND CHANGE WITHOUT NOTICE

CEILING FIRE RESISTANT ACCESS DOORS



REGULARLY FURNISHED:

Doors are designed for use in a suspended dry wall ceiling as part of a fire rated ceiling assembly. The 4774 Series door, itself, is not fire rated. However, the combination of steel and fire rated tile maintains the fire resistant quality of the ceiling assembly. Door is recessed 1-1/2" to accommodate dual layered ceiling tile. Door is fabricated from 16 gage, galvanized steel with a prime coat finish. Frame is fabricated from 18 gage, galvanized steel with a prime coat finish. Hinge is a continuous piano type. Latch is screwdriver operated.

GUIDE SPECIFICATION:

Provide 4774 Series, ceiling fire resistant access doors (specify options). Access door frame shall be fabricated from 16 gage steel. Access door panel shall be fabricated from 18 gage steel. Door shall be recessed 1-1/2" to accept ceiling tile. Hinge shall be continuous piano type. Latch shall be screwdriver operated.

STANDARD AVAILABLE SIZES

Special sizes available upon request

	NOMINAL DOOR SIZE (W X H)	CEILING OPENING	LATCHES	WEIGHT
<input type="checkbox"/>	4774 12" x 12"	10-1/2" x 10-1/2"	1	7.3 lbs.
<input type="checkbox"/>	4774 18" x 18"	16-1/2" x 16-1/2"	2	12.5 lbs.
<input type="checkbox"/>	4774 24" x 24"	22-1/2" x 22-1/2"	2	21.8 lbs.
<input type="checkbox"/>	4774 22" x 30"	20-1/2" x 28-1/2"	4	26.0 lbs.

VARIATIONS:

- Allen Key Latch -AKL
 Cylinder Lock (one per door) -CL

REV.	DATE	DESCRIPTION	BY	CKD. BY
A	6-18-15	Revised Variations	TBW	SJM

WEIGHT
POUNDSVOLUME
CUBIC FEET

FIGURE NUMBER

4774



WARNING: Cancer and Reproductive Harm - www.P65Warnings.ca.gov