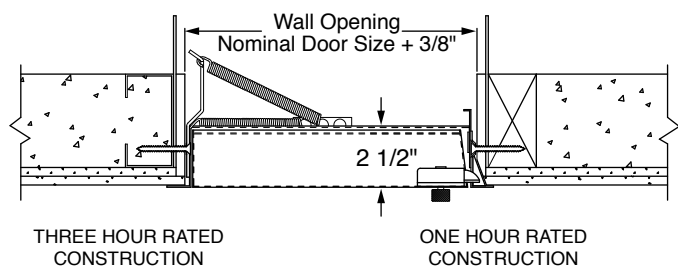


FIRE RATED CEILING ACCESS DOORS

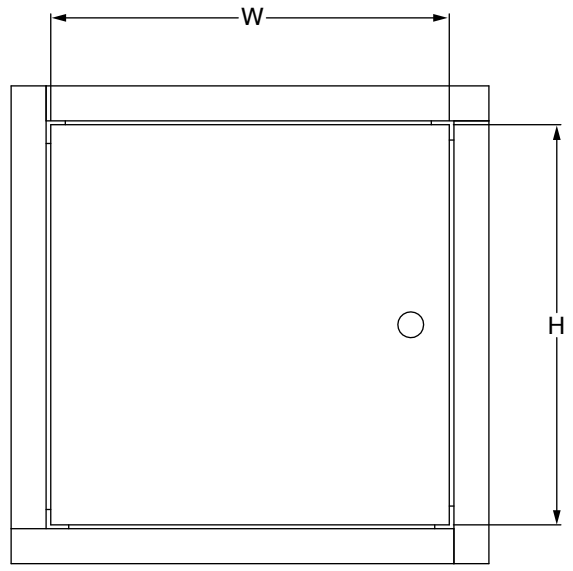
DRAWING NUMBER: **S4773**
 SIZE: **A**
 SCALE: **NONE**
 DATE: **3-11-15**
 APPROVED BY: **SJM**
 CHECKED BY: **JM**
 DRAWN BY: **TBW**
 FIGURE NUMBER: **4773**

WE CAN ASSUME NO RESPONSIBILITY FOR USE OF SUPERSEDED OR VOID DATA

DIMENSIONS ARE SUBJECT TO MANUFACTURERS TOLERANCE AND CHANGE WITHOUT NOTICE



SIDE VIEW



FRONT VIEW

REGULARLY FURNISHED:

The 4773 Series Doors should be utilized when providing access in fire rated walls and ceilings. 4773 Series Doors have heavy-duty spring closures to ensure positive latching when panel closes. An interior latch release is also included on all doors to enable unlocking from inside. Door is fabricated from 20 gage, galvanized steel with a prime coat finish. Door panel is provided with 2" of insulation in a sandwich type construction. Frame is fabricated from 16 gage, galvanized steel with a prime coat finish and provided with masonry anchors and bolt holes. Hinge is fully concealed and mounted on the long side of the rectangular door panel. Exterior latch is a dual purpose lock that features a knurled knob and key operation. Both are provided at time of shipping. Interior latch release slide is included enabling door to be opened from the inside.

GUIDE SPECIFICATION:

Provide 4773 Series, Fire Rated Ceiling Access Doors (specify options). Access door frame shall be fabricated from 16 gage galvanized steel with a prime coat finish and provided with masonry anchors and bolt holes. Access door panel shall be fabricated from 20 gage, galvanized steel with a prime coat finish. Door shall be filled with 2" thick, fire rated insulation, and be welded pan type. Access door shall have automatic closer, be self-latching and contain interior latch release. Exterior latching shall be recessed and universal self-latching bolt, operated by either a knurled knob or flush key. Finish shall be a prime coat suitable for painting. Access door and fire door assembly rated at 1 1/2 hours.

STANDARD AVAILABLE SIZES

Special sizes available upon request

	NOMINAL DOOR SIZE (W X H)	CEILING OPENING	WALL OPENING	LATCHES	WEIGHT
	4773 8" x 8"	9-5/8" x 9-5/8"	8-3/8" x 8-3/8"	1	11 lbs.
	4773 10" x 10"	11-5/8" x 11-5/8"	10-3/8" x 10-3/8"	1	12 lbs.
	4773 12" x 12"	13-5/8" x 13-5/8"	12-3/8" x 12-3/8"	1	15 lbs.
	4773 14" x 14"	15-5/8" x 15-5/8"	14-3/8" x 14-3/8"	1	17 lbs.
	4773 16" x 16"	17-5/8" x 17-5/8"	16-3/8" x 16-3/8"	1	18 lbs.
	4773 18" x 18"	19-5/8" x 19-5/8"	18-3/8" x 18-3/8"	1	20 lbs.
	4773 18" x 24"	19-5/8" x 25-5/8"	18-3/8" x 24-3/8"	1	26 lbs.
	4773 20" x 20"	21-5/8" x 21-5/8"	20-3/8" x 20-3/8"	1	24 lbs.
	4773 22" x 30"	23-5/8" x 31-5/8"	22-3/8" x 30-3/8"	2	28 lbs.
	4773 22" x 36"	23-5/8" x 37-5/8"	22-3/8" x 36-3/8"	2	40 lbs.
	4773 24" x 24"	25-5/8" x 25-5/8"	24-3/8" x 24-3/8"	1	28 lbs.
	4773 24" x 36"	25-5/8" x 37-5/8"	24-3/8" x 36-3/8"	2	40 lbs.

Note: On sizes 16" x 16" and larger, an extra spring is supplied with the door and must be attached from back of door pan to framing, or floor above, in such a manner to ensure that door is self closing.

VARIATIONS:

- Galvanized Drywall Bead -GB
- Stainless Steel Construction -SS
Type 304 No. 4 Satin Finish

D	5-21-19	Revised Table, Revised Variations	MW	JM	WEIGHT POUNDS	VOLUME CUBIC FEET	FIGURE NUMBER 4773
C	7-2-18	Rev. Reg. Furn., Guide Spec.	TBW	SJM			
B	9-16-15	Revised Table	TBW	TWK			
A	6-18-15	Revised Table	TBW	SJM			
REV.	DATE	DESCRIPTION	BY	CKD. BY			