

ACOUSTICAL PLASTER ACCESS DOORS

DRAWING NUMBER
S4770

SIZE
A

SCALE:
NONE

DATE:
3-4-15

APPROVED BY:
SJM

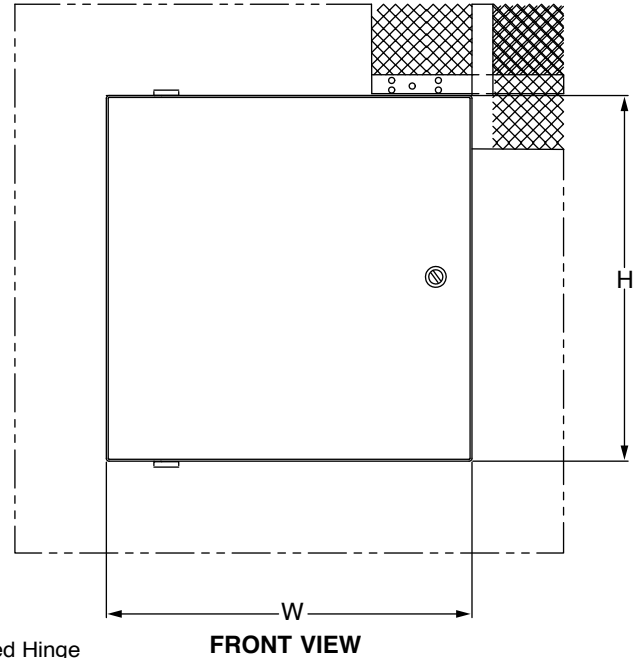
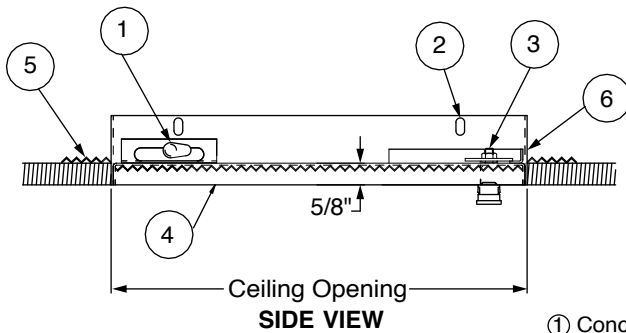
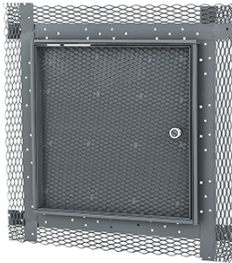
CHECKED BY:
JM

DRAWN BY:
TBW

4770

FIGURE NUMBER

WE CAN ASSUME NO RESPONSIBILITY FOR USE OF SUPERSEDED OR VOID DATA
DIMENSIONS ARE SUBJECT TO MANUFACTURERS TOLERANCE AND CHANGE WITHOUT NOTICE



- ① Concealed Hinge
- ② Mounting Holes
- ③ Screwdriver Operated Latch
- ④ Door
- ⑤ Metal Lath
- ⑥ Frame

REGULARLY FURNISHED:

Doors are designed to install flush with the plaster surface assuring an attractive finish. Doors are recessed 5/8" and lined with a metal lath to allow plaster of surrounding surfaces to fill in the face of the door. Door and frame are fabricated from 16 gage, galvanized steel with a prime coat finish. Frame has a 3" wide metal lath on all four sides to key into the plaster. Concealed hinge is recessed and operates completely out of sight so that only the metal thickness of the door and frame is visible. Latch is screwdriver operated. Finish is a prime coat suitable for painting.

GUIDE SPECIFICATION:

Provide 4770 Series, Acoustical Tile Access Door (specify options). Access door shall be fabricated from 16 gage and frame from 12 gage, galvanized steel with a prime coat finish. Door shall be recessed 5/8" to accept acoustical tile or gypsum board. Hinge shall be concealed type. Latch shall be screwdriver operated. Finish shall be a prime coat suitable for painting.

STANDARD AVAILABLE SIZES

Special sizes available upon request

	NOMINAL DOOR SIZE (WXH)	CEILING OPENING (minimum required)	LATCHES	WEIGHT
	4770 12" x 12"	12-1/4" x 12-1/4"	1	7 lbs.
	4770 12" x 24"	12-1/4" x 24-1/4"	2	13.5 lbs.
	4770 18" x 18"	18-1/4" x 18-1/4"	2	14 lbs.
	4770 24" x 24"	24-1/4" x 24-1/4"	2	20.5 lbs.
	4770 24" x 36"	24-1/4" x 36-1/4"	2	24.5 lbs.

VARIATIONS:

- Allen Key Latch -AKL
- Cylinder Lock (one per door) -CL
- Stainless Steel Construction -SS
Type 304 No.4 Satin Finish

REV.	DATE	DESCRIPTION	BY	CKD. BY

WEIGHT POUNDS

VOLUME CUBIC FEET

FIGURE NUMBER

4770