

A



JAY R. SMITH MFG. CO.®
 MEMBER OF MORRIS GROUP INTERNATIONAL
 POST OFFICE BOX 3237
 MONTGOMERY, ALABAMA 36109-0237 (USA)
 TEL: 334-277-8520 FAX: 334-272-7396 www.jrsmith.com



MEMBER OF:

LOCATION

DRAWING NUMBER
S4499

SIZE
A

SCALE:
NONE

DATE:
4-8-63

APPROVED BY:
JMS

CHECKED BY:
JMS

DRAWN BY:
SL

4499

FIGURE NUMBER

WE CAN ASSUME NO RESPONSIBILITY FOR USE OF SUPERSEDED OR VOID DATA
DIMENSIONS ARE SUBJECT TO MANUFACTURERS TOLERANCE AND CHANGE WITHOUT NOTICE

"T" HANDLES FOR PLUG CLOSURES

FUNCTION: Provides a means of readily removing closure plugs which are often used. Design is rugged and permits converting all SMITH countersunk plugs with tapped boss to a "T" handle type.

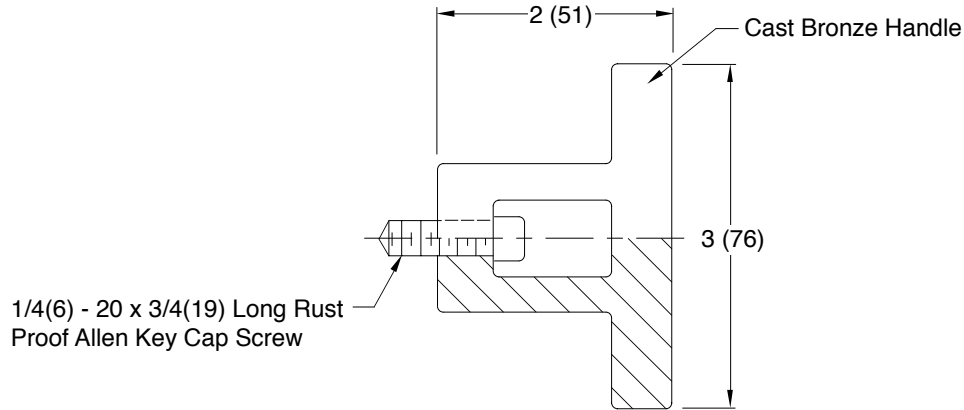
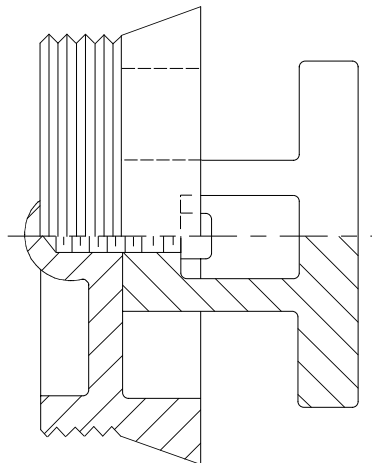
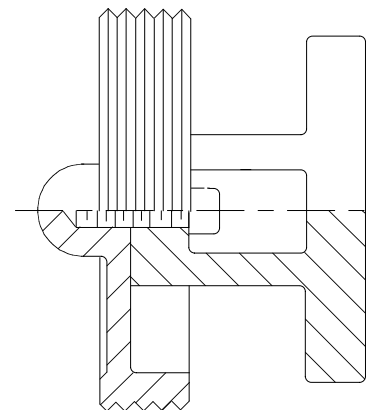


Fig. 4499 "T" Handle Adaptor Assembly

TYPICAL INSTALLATION IN SMITH COUNTERSUNK PLUGS



LEAD SEAL PLUG



TAPER THREAD PLUG

NOTE: Dimensions shown in parentheses are in millimeters.

REV.	DATE	DESCRIPTION	BY	CKD. BY	WEIGHT POUNDS	VOLUME CUBIC FEET	FIGURE NUMBER
A	1-12-96	Submittal Update	EMB	BS			4499