

H



JAY R. SMITH MFG. CO.
 MEMBER OF MORRIS GROUP INTERNATIONAL
 POST OFFICE BOX 3237
 MONTGOMERY, ALABAMA 36109-0237 (USA)
 TEL: 334-277-8520 FAX: 334-272-7396 www.jrsmith.com

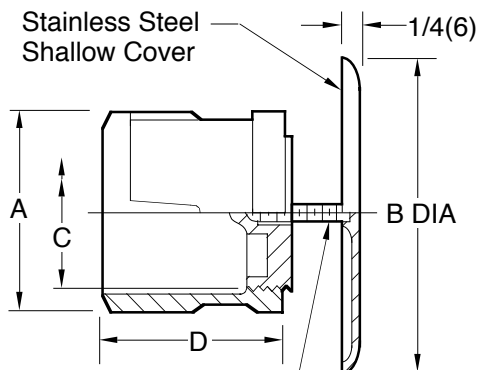


LOCATION

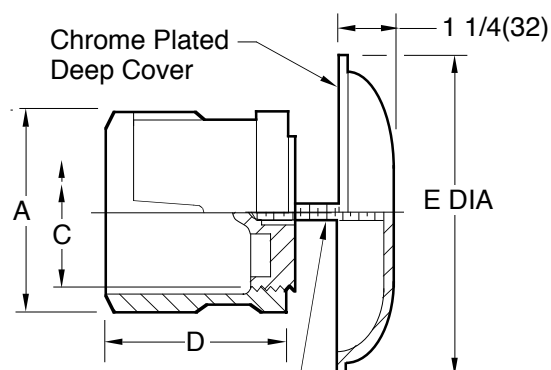
CAULK FERRULE CLEANOUTS WITH ACCESS COVERS

TAPER THREAD PLUG WITH ROUND COVER

FUNCTION: Used in hub openings in drainage piping where a cleanout is required. Ribbing on outside of ferrule prevents turning of ferrule in the caulking lead. Face-of-wall cover is desirable on finished walls.



1/4(6) - 20 x 2 1/2(64) Long Flat Head Machine Screw



1/4(6) - 20 x 1 1/2(38) Long Flat Head Machine Screw

WITH COUNTERSUNK PLUG

- FIG. 4420C LESS COVER AND SCREW
- FIG. 4421C WITH DEEP COVER AND SCREW
- FIG. 4422C WITH SHALLOW COVER AND SCREW

	A SIZE	B DIA	C SIZE	D	E DIA
▲ 02 (50)	4 1/4 (110)	1 1/2 (38)	3 1/2 (89)	*7 1/4 (185)	
▲ 03 (80)	5 1/2 (140)	2 1/2 (64)	3 3/4 (95)	*7 1/4 (185)	
▲ 04 (100)	5 1/2 (140)	3 1/2 (89)	4 1/4 (110)	*7 1/4 (185)	
05 (125)	7 (180)	4 (100)	4 1/4 (110)	*7 1/4 (185)	
06 (150)	9 1/4 (235)	5 (125)	4 1/4 (110)	9 1/4 (235)	
08 (200)	11 1/4 (285)	6 (150)	4 1/2 (115)	11 1/4 (285)	

* = Die Formed SS Cover Only.

▲ Sized for Service Weight and/or NO-HUB

REGULARLY FURNISHED:

Duco Cast Iron Caulk Ferrule with Cast Bronze Taper Thread Plug. Type of Cover as Indicated by Figure Number Selected.

VARIATIONS:

- Longer Screw 6"(150) Lg. -LS
- "T" Handle Plug -TH
Plug Tapped 1/4"(6) -20 Thread
- Vandal Proof Screw-U

OPTIONAL MATERIALS: (4421)

- Cast Bronze Body -BB
- Nickel Bronze Deep Cover -NB
9 1/4"(235) & 11 1/4"(285) sizes only
- Polished Bronze Deep Cover -PB
9 1/4"(235) & 11 1/4"(285) sizes only

NOTE: Dimensions shown in parentheses are in millimeters.

DRAWING NUMBER S4420

SIZE A

SCALE: NONE

DATE: 2-16-70

APPROVED BY: BH

CHECKED BY: BH

DRAWN BY: RK

4420 SERIES

FIGURE NUMBER

WE CAN ASSUME NO RESPONSIBILITY FOR USE OF SUPERSEDED OR VOID DATA

DIMENSIONS ARE SUBJECT TO MANUFACTURERS TOLERANCE AND CHANGE WITHOUT NOTICE

H G F

10-7-14
10-20-98
8-11-97

Revised Variations
Revised S.W. and/or N.H
Chg'd Var. & Opt. Mat.

TBW
TBW
EMB

BW
JCS
BS

WEIGHT
POUNDS

VOLUME
CUBIC FEET

FIGURE NUMBER

4420 SERIES

REV.

DATE

DESCRIPTION

BY

CKD. BY



WARNING: Cancer and Reproductive Harm - www.P65Warnings.ca.gov