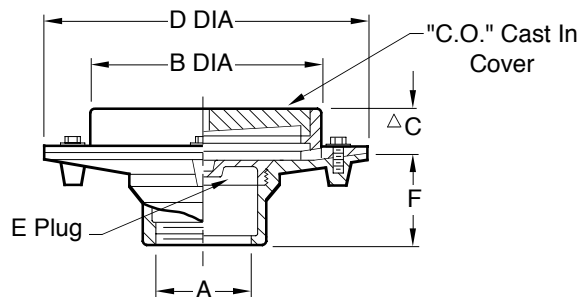
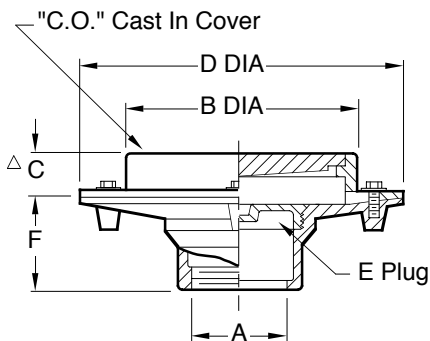


MULTI-PURPOSE FLOOR CLEANOUTS WITH INTERNAL CLOSURE PLUG

ROUND NON-ADJUSTABLE CAST IRON TOP

FUNCTION: Used in areas where a large access cover is desirable and the appearance of cast iron is satisfactory. Non-Tilt cover Fig. 4338 shown below should be used for heavy load traffic .



MEDIUM DUTY COVER

HEAVY DUTY COVER

Fig. 4333C TAPER THREAD - BRONZE PLUG Fig. 4338C

A SIZE	B DIA	ΔC	D DIA	E SIZE	F
02 (50)	8 1/2 (215)	1 5/8 (41)	12 (305)	3 1/2 (89)	4 (100)
03 (80)	8 1/2 (215)	1 5/8 (41)	12 (305)	4 (100)	4 (100)
04 (100)	8 1/2 (215)	1 5/8 (41)	12 (305)	5 (125)	4 (100)

Δ add 1/4"(6) when bronze top is specified

Collar can be used as flashing clamp when required

NOTE: Dimensions shown in parentheses are in millimeters.

INSIDE CAULK OUTLET REGULAR

REGULARLY FURNISHED:
Duco Cast Iron Body with Scoriated Loose Set Cast Iron Cover, Taper Thread Bronze Closure Plug and Flashing Collar.

- VARIATIONS:**
- NO-HUB Adaptor (Specify Fig. 2646Y)
 - Recessed for Tile -RT
 - Secured Cover -SC
 - Secured Cover w/Vandal Proof Screws -U
 - Square Top -S
 - "T" Handle Plug -TH
Plug tapped 1/4"(6) - 20 Thread
 - 4"(100) Wide Flange (See Fig. DX4343)
 - T Threaded Outlet

- OPTIONAL MATERIALS:**
- Galvanized Cast Iron -G
 - Nickel Bronze Top -NB
 - Polished Bronze Top -PB
 - Stainless Steel
(Specify Fig 9720)

DRAWING NUMBER S4333
SIZE A
SCALE: NONE
DATE: 2-16-70
APPROVED BY: JM
CHECKED BY: BH
DRAWN BY: RK
4333, 4338
FIGURE NUMBER

WE CAN ASSUME NO RESPONSIBILITY FOR USE OF SUPERSEDED OR VOID DATA
DIMENSIONS ARE SUBJECT TO MANUFACTURERS TOLERANCE AND CHANGE WITHOUT NOTICE

E D C B	10-7-14 1-9-96 7-26-94 8-5-93	Revised Variations Added Millimeters Revised Submittal Update	TBW EMB EMB TWK	BW BS BS BS	WEIGHT POUNDS	VOLUME CUBIC FEET	FIGURE NUMBER 4333, 4338
REV.	DATE	DESCRIPTION	BY	CKD. BY			