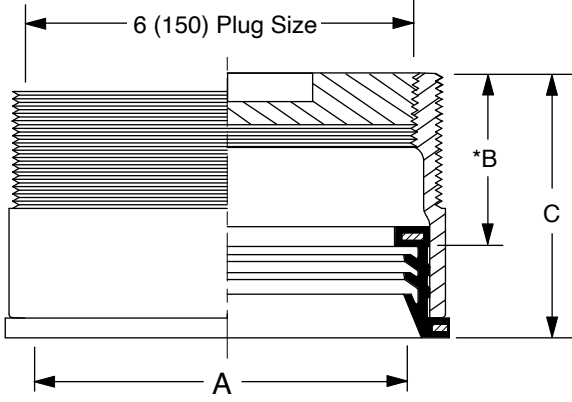
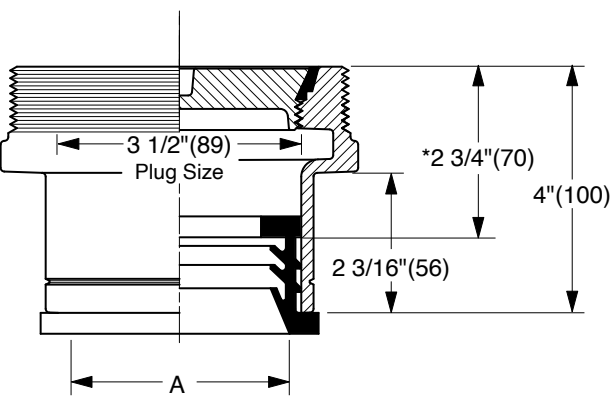


FLOOR CLEANOUTS FOR UNFINISHED FLOORS

CLEANOUT BODIES WITH CLOSURE PLUG

FUNCTION: Used where extension type cleanout is required. Not recommended for installation in floors or areas subjected to traffic unless access cover is provided.



SPEEDI-SET OUTLET ▲

"A" (Pipe Size) = 02(50), 03(75) or 04(100)

"A" (Pipe Size) = 06(150) & 08(200)

A Size	B	C
06 (150)	*3 (76)	4 9/16 (117)
08 (200)	*3 1/4 (83)	4 13/16 (121)

* This Dimension to Internal Stop of Speedi-set Gasket.

SPEEDI-SET OUTLET ▲

- Fig. 4291L.....Gasket Seal - ABS Plug
- Fig. 4292L.....Gasket Seal - Bronze Plug
- Fig. 4293L.....Taper Thread - Bronze Plug
- Fig. 4294L.....Taper Thread - ABS Plug

SPEEDI-SET OUTLET ▲

- Fig. 4293L.....Taper Thread - Bronze Plug

▲ SPEEDI-SET OUTLET

- L Service Weight - For Service Weight and No Hub Cast Iron Pipe (Available for all pipe sizes)
- LXH Extra Heavy - For Extra Heavy Cast Iron Pipe (Available for all pipe sizes)
- LXH Extra Heavy - For PVC Pipe (Available for 2", 3", 4", and 8" pipe sizes only)
- LPVC Plastic Pipe - For PVC or ABS pipe (Available for 6" pipe size only)

REGULARLY FURNISHED:

Duco Cast Iron Cleanout with Closure Plug Type as Indicated By Figure Number Selected.

VARIATIONS:

- Flashing Flange -F
- Flange with Flashing Clamp -F-C

OPTIONAL MATERIALS:

- Galvanized Cast Iron -G

NOTE: Dimensions shown in parentheses are in millimeters.

DRAWING NUMBER S4291
 SIZE A
 SCALE: NONE
 DATE: 02/01/01
 APPROVED BY:
 CHECKED BY: BS
 DRAWN BY: JJ
4291 SERIES
 FIGURE NUMBER

WE CAN ASSUME NO RESPONSIBILITY FOR USE OF SUPERSEDED OR VOID DATA
 DIMENSIONS ARE SUBJECT TO MANUFACTURERS TOLERANCE AND CHANGE WITHOUT NOTICE

E	10-9-2020	Rev./Added New ▲Note	MW	CR		
D	5-5-06	Revised Dwg.	RN	CL	WEIGHT POUNDS	VOLUME CUBIC FEET
C	7-22-03	Revised Dwg.	RN	CL	FIGURE NUMBER	
B	6-25-02	Revised Dwg.	RN	CL	4291 SERIES	
REV.	DATE	DESCRIPTION	BY	CKD. BY		