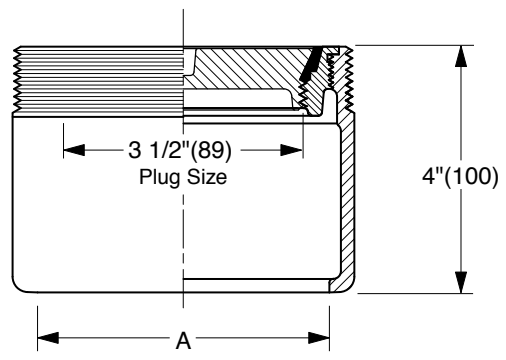


<b>A</b>	 <p>MEMBER OF MORRIS GROUP INTERNATIONAL          POST OFFICE BOX 3237          MONTGOMERY, ALABAMA 36109-0237 (USA)          TEL: 334-277-8520 FAX: 334-272-7396 www.jrsmith.com</p>	 MEMBER OF:	 MEMBER OF:		<b>LOCATION</b>
----------	---	---	--	---	-----------------

## FLOOR CLEANOUTS FOR UNFINISHED FLOORS

### CLEANOUT BODIES WITH CLOSURE PLUG

**FUNCTION:** Used where extension type cleanout is required. Not recommended for installation in floors or areas subjected to traffic unless access cover is provided.



INSIDE CAULK OUTLET

"A" (Pipe Size) = 02(50), 03(75) or 04(100)

- Fig. 4285C.....Gasket Seal - ABS Plug
- Fig. 4286C.....Gasket Seal - Bronze Plug
- Fig. 4288C.....Taper Thread - Bronze Plug
- Fig. 4289C.....Taper Thread - ABS Plug

**NOTE:** Dimensions shown in parentheses are in millimeters.

**REGULARLY FURNISHED:**  
 Duco Cast Iron Cleanout with Closure Plug Type as Indicated By Figure Number Selected.

- VARIATIONS:**
- Flashing Flange -F
  - Flange with Flashing Clamp -F-C

- OPTIONAL MATERIALS:**
- Galvanized Cast Iron -G

**4285 SERIES**

DRAWN BY: JJ

CHECKED BY: BS

APPROVED BY:

DATE: 02/01/01

SCALE: NONE

SIZE: A

DRAWING NUMBER: S4285

A

WE CAN ASSUME NO RESPONSIBILITY FOR USE OF SUPERSEDED OR VOID DATA

DIMENSIONS ARE SUBJECT TO MANUFACTURERS TOLERANCE AND CHANGE WITHOUT NOTICE

A	6-25-02	Revised Dwg.	RN	CL	WEIGHT POUNDS	VOLUME CUBIC FEET	<b>FIGURE NUMBER</b>
REV.	DATE	DESCRIPTION	BY	CKD. BY			<b>4285 SERIES</b>