

P

SMITH® JAY R. SMITH MFG. CO.®
 MEMBER OF MORRIS GROUP INTERNATIONAL
 POST OFFICE BOX 3237
 MONTGOMERY, ALABAMA 36109-0237 (USA)
 TEL: 334-277-8520 FAX: 334-272-7396 www.jrsmith.com



LOCATION

DRAWING NUMBER
S4250, 4261

SIZE
A

SCALE:
NONE

DATE:
7-10-85

APPROVED BY:
JM

CHECKED BY:
BH

DRAWN BY:
RK

4250, 4261

FIGURE NUMBER

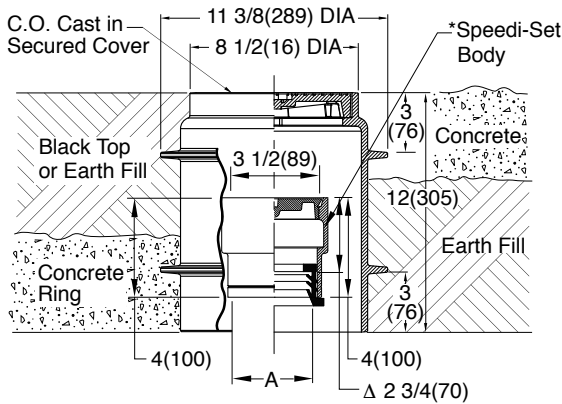
WE CAN ASSUME NO RESPONSIBILITY FOR USE OF SUPERSEDED OR VOID DATA

DIMENSIONS ARE SUBJECT TO MANUFACTURERS TOLERANCE AND CHANGE WITHOUT NOTICE

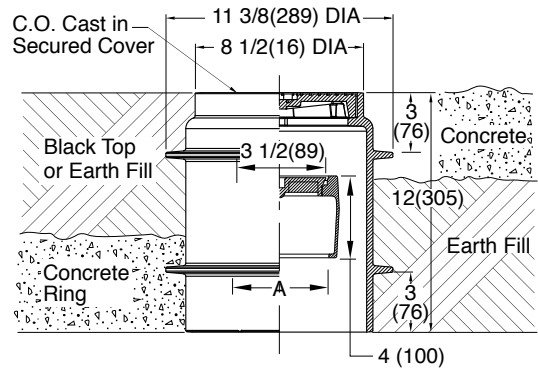
FLOOR CLEANOUTS FOR UNFINISHED AREAS

ROUND FLANGED HOUSING WITH HEAVY DUTY CAST IRON COVER

FUNCTION: Used in outside and inside areas. High flange permits use in areas surfaced with concrete or other poured materials. Low flange is used with a ring of concrete poured below the surface for non-surfaced areas and areas surfaced with asphalt paving. Housing is completely free of piping so that no loading is transmitted to the pipe.



"A" (Pipe Size) = 02(50), 03(75), 04(100) or 05(125)



"A" (Pipe Size) = 02(50), 03(75) or 04(100)

NO-HUB OUTLET

- Fig. 4250S
- Fig. 4251S
- Fig. 4253S
- Fig. 4254S

SPEEDI-SET* ΔΔ

- 4261L
- 4262L
- 4263L
- 4264L

- Gasket Seal - ABS Plug***
- Gasket Seal - Bronze Plug
- Taper Thread - Bronze Plug
- Taper Thread - ABS Plug

INSIDE CAULK OUTLET

- Fig. 4255C
- Fig. 4256C
- Fig. 4258C
- Fig. 4259C

*Speedi-Set available in 02(50), 03(75) and 04(100) inch sizes only
 ***ABS plug regularly furnished all outlets in 02(50), 03(75) and 04(100) inch sizes and 05(125) inch spigot.
 Δ This Dimension to Internal Stop of Speedi-Set Gasket.
 ΔΔ Available in Extra Heavy, Service Weight or NO-HUB.

REGULARLY FURNISHED:

Duco Cast Iron Cleanout and Double Flanged Housing with Heavy Duty Secured Scoriated Cast Iron Cover with Lifting Device. Closure Plug and Type of Outlet as Indicated By Figure Number Selected.

VARIATIONS:

- Cover Cast with Words "Gas Shut-Off" -GSO or "Water Shut-Off" -WSO
- Less Ferrule and Plug (See Fig. 4880)
- Vandal Proof Top -U

OPTIONAL MATERIALS:

- Galvanized Cast Iron -G
- Ductile Iron Cover -M
- Nickel Bronze Top -NB
- Polished Bronze Top -PB

NOTE: Dimensions shown in parentheses are in millimeters.

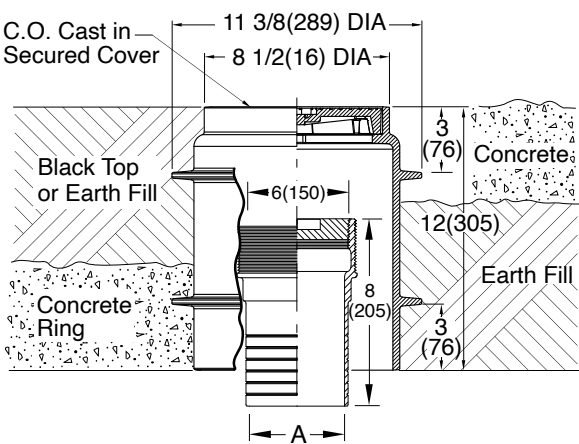
P	11-15-17	Revised Optional Materials	TBW	CL	WEIGHT POUNDS	VOLUME CUBIC FEET	FIGURE NUMBER 4250, 4261
N	11-14-16	Revised Drawing, New Body Style	TBW	CL			
M	12-7-15	Revised Optional Materials	TBW	CL			
L	05/07/01	Edited Outlet Text	JJ	BS			
REV.	DATE	DESCRIPTION	BY	CKD. BY			

FLOOR CLEANOUTS FOR UNFINISHED AREAS

ROUND FLANGED HOUSING WITH HEAVY DUTY CAST IRON COVER

FUNCTION: Used in outside and inside areas. High flange permits use in areas surfaced with concrete or other poured materials. Low flange is used with a ring of concrete poured below the surface for non-surfaced areas and areas surfaced with asphalt paving. Housing is completely free of piping so that no loading is transmitted to the pipe.

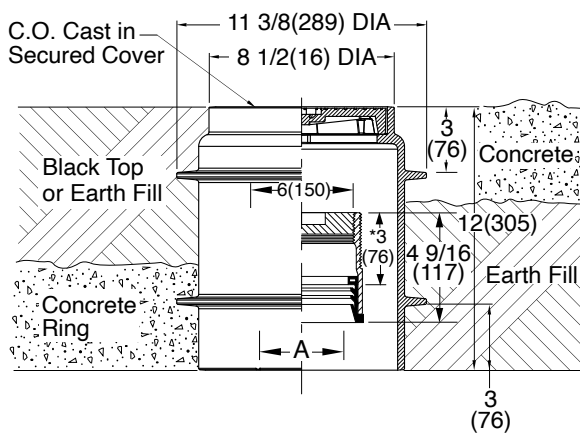
DRAWING NUMBER: S4250, 4261BS
 SIZE: A
 SCALE: NONE
 DATE: 5-5-06
 APPROVED BY: CEL
 CHECKED BY: CL
 DRAWN BY: RN
 DIMENSIONS ARE SUBJECT TO MANUFACTURERS TOLERANCE AND CHANGE WITHOUT NOTICE



"A" (Pipe Size) = 06(150) or 08(200)

SPIGOT OUTLET**

- Fig. 4253S Taper Thread - Bronze Plug Fig. 4263L



"A" (Pipe Size) = 06(150)

SPEEDI-SET ▲

▲ SPEEDI-SET OUTLET

- L Service Weight - For Service Weight and No Hub Cast Iron Pipe (Available for all pipe sizes)
- LXH Extra Heavy - For Extra Heavy Cast Iron Pipe (Available for all pipe sizes)
- LXH Extra Heavy - For PVC Pipe (Available for 2", 3", 4", and 8" pipe sizes only)
- LPVC Plastic Pipe - For PVC or ABS pipe (Available for 6" pipe size only)

* This Dimension to Internal Stop of Speedi-Set Gasket.

REGULARLY FURNISHED:

Duco Cast Iron Cleanout with Taper Thread Bronze Plug and Double Flanged Housing with Heavy Duty Secured Scoriated Cast Iron Cover with Lifting Device.

VARIATIONS:

- Cover Cast with Words "Gas Shut-Off" -GSO or "Water Shut-Off" -WSO
- Less Ferrule and Plug (See Fig. 4880)
- Vandal Proof Top -U

OPTIONAL MATERIALS:

- Galvanized Cast Iron -G
- Ductile Iron Cover -M
- Nickel Bronze Top -NB
- Polished Bronze Top -PB

NOTE: Dimensions shown in parentheses are in millimeters.

4253, 4263

REV.	DATE	DESCRIPTION	BY	CKD. BY	WEIGHT POUNDS	VOLUME CUBIC FEET	FIGURE NUMBER 4253, 4263
D	10-9-2020	Rev./Added New ▲Note	MW	CR			
C	11-15-17	Revised Optional Materials	TBW	CL			
B	11-15-16	Revised Drawing	TBW	CL			
A	12-7-15	Revised Optional Materials	TBW	CL			