

N

SMITH® JAY R. SMITH MFG. CO.®
 MEMBER OF MORRIS GROUP INTERNATIONAL
 POST OFFICE BOX 3237
 MONTGOMERY, ALABAMA 36109-0237 (USA)
 TEL: 334-277-8520 FAX: 334-272-7396 www.jrsmith.com

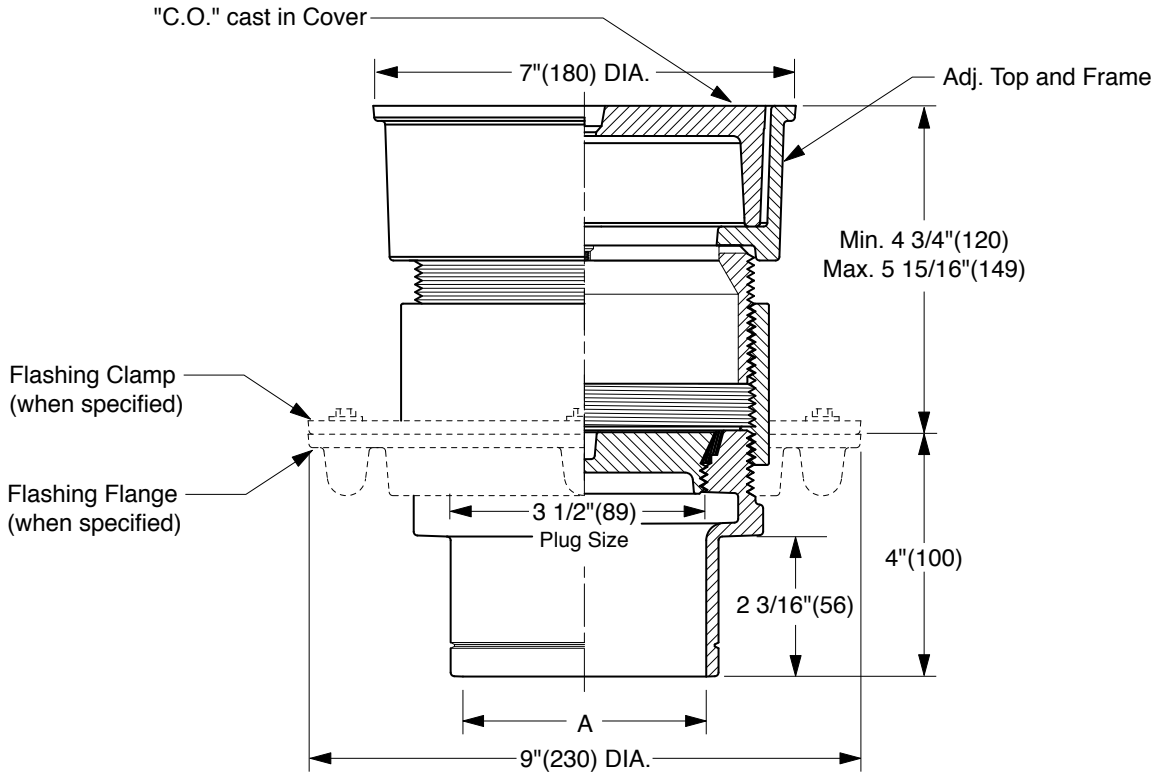


LOCATION

FLOOR CLEANOUTS WITH "TWIS-TO-FLOOR®" ADJUSTABLE TOPS FOR UNFINISHED AREAS

ROUND CAST IRON TOP - TRACTOR COVER

FUNCTION: Used in unfinished areas where a loose set, non-tilt tractor cover is desired. Will withstand heavy load traffic.



TWIS-TO-FLOOR® ADJUSTMENT

NO-HUB OUTLET

"A" (Pipe Size) = 02(50), 03(75), 04(100) or 05(125)

- Fig. 4240S.....Gasket Seal - ABS Plug
- Fig. 4241S.....Gasket Seal - Bronze Plug
- Fig. 4243S.....Taper Thread - Bronze Plug
- Fig. 4244S.....Taper Thread - ABS Plug

(Twis-to-Floor® design shown with gasketed plug.)

NOTE: Dimensions shown in parentheses are in millimeters.

REGULARLY FURNISHED:

Duco Cast Iron Cleanout with Round Adjustable Scoriated Cast Iron Top with Non-Tilt Tractor Cover. Closure Plug Type as Indicated by Figure Number Selected.

VARIATIONS:

- Center Securing Screw -CSS
- Vandal Proof Center Securing Screw -U
- Flashing Flange -F
- Flange with Flashing Clamp -F-C

OPTIONAL MATERIALS:

- Galvanized Cast Iron -G
- Ductile Iron Cover -M
- Nickel Bronze Top -NB
- Polished Bronze Top -PB

DRAWING NUMBER
S4240

SIZE
A

SCALE:
NONE

DATE:
2-16-70

APPROVED BY:
JM

CHECKED BY:
BH

DRAWN BY:
RK

4240 SERIES

WE CAN ASSUME NO RESPONSIBILITY FOR USE OF SUPERSEDED OR VOID DATA

REV.	DATE	DESCRIPTION	BY	CKD. BY
N M L	07/29/02 05/07/01 10/31/00	Corrected Clamp & Flange view Edited Outlet Text New design	JJ JJ JJ	CL CL BS

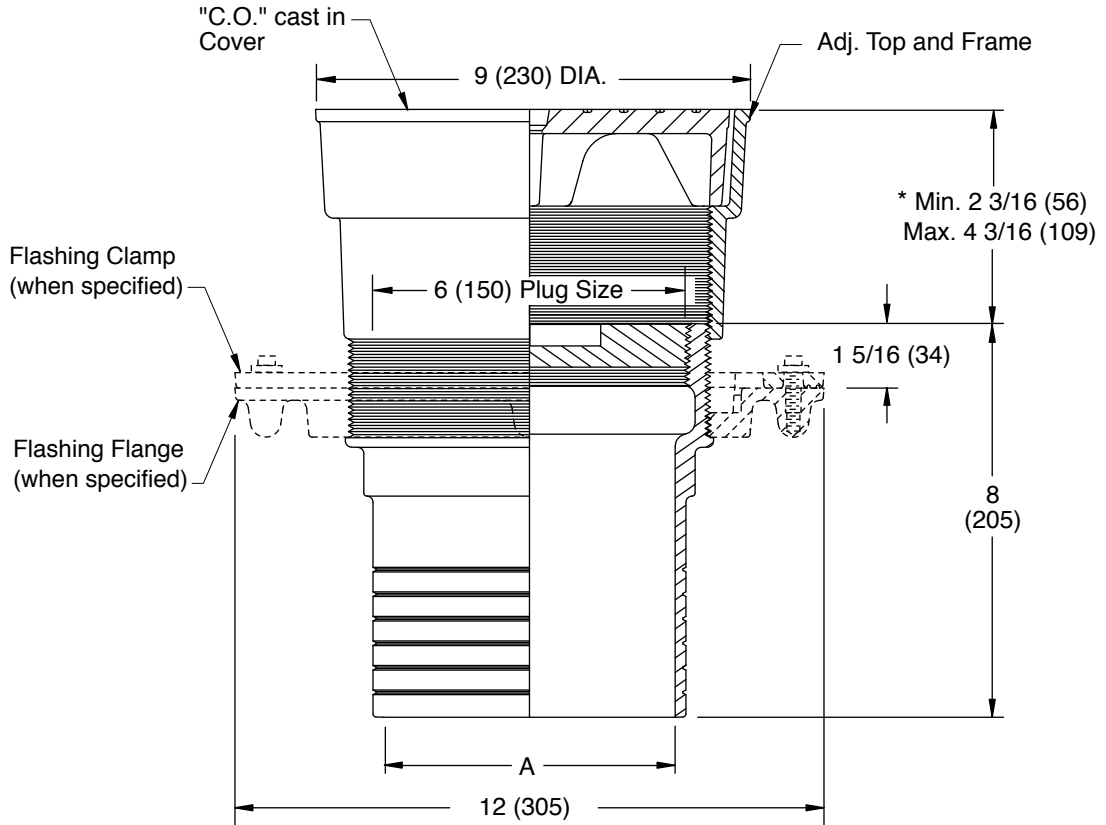
WEIGHT POUNDS	VOLUME CUBIC FEET

FIGURE NUMBER
4240 SERIES

FLOOR CLEANOUTS WITH "TWIS-TO-FLOOR®" ADJUSTABLE TOPS FOR UNFINISHED AREAS

ROUND CAST IRON TOP - TRACTOR COVER

FUNCTION: Use in unfinished areas where a loose set, non-tilt tractor cover is desired. Will withstand heavy load traffic.



SPIGOT OUTLET ▲

"A" (Pipe Size) = 06(150) & 08(200)

▲ Sized for Service Weight and/or NO-HUB.

* When Flange-F is specified Min. 2 3/16 (56) becomes 2 11/16 (68)

"TWIS-TO-FLOOR®" ADJUSTMENT

SPIGOT OUTLET ▲

Fig. 4243S.....Taper Thread - Bronze Plug

REGULARLY FURNISHED:
 Duco Cast Iron Cleanout with Taper Thread Bronze Plug and Round Adjustable Scoriated Cast Iron Top with Non-Tilt Tractor Cover.

VARIATIONS:

- Flashing Flange -F
- Flange with Flashing Clamp -F-C
- Vandal Proof Top -U
- Center Securing Screw -CSS

OPTIONAL MATERIALS:

- Galvanized Cast Iron -G
- Polished Bronze Top -PB
- Nickel Bronze Top -NB
- Ductile Iron Cover -M

NOTE: Dimensions shown in parentheses are in millimeters.

DRAWING NUMBER
S4240BS

SIZE
A

SCALE:
NONE

DATE:
5-5-06

APPROVED BY:
CEL

CHECKED BY:
CL

DRAWN BY:
RN

FIGURE NUMBER
4243

DIMENSIONS ARE SUBJECT TO MANUFACTURERS TOLERANCE AND CHANGE WITHOUT NOTICE

REV.	DATE	DESCRIPTION	BY	CKD. BY

WEIGHT POUNDS	VOLUME CUBIC FEET

FIGURE NUMBER 4243
