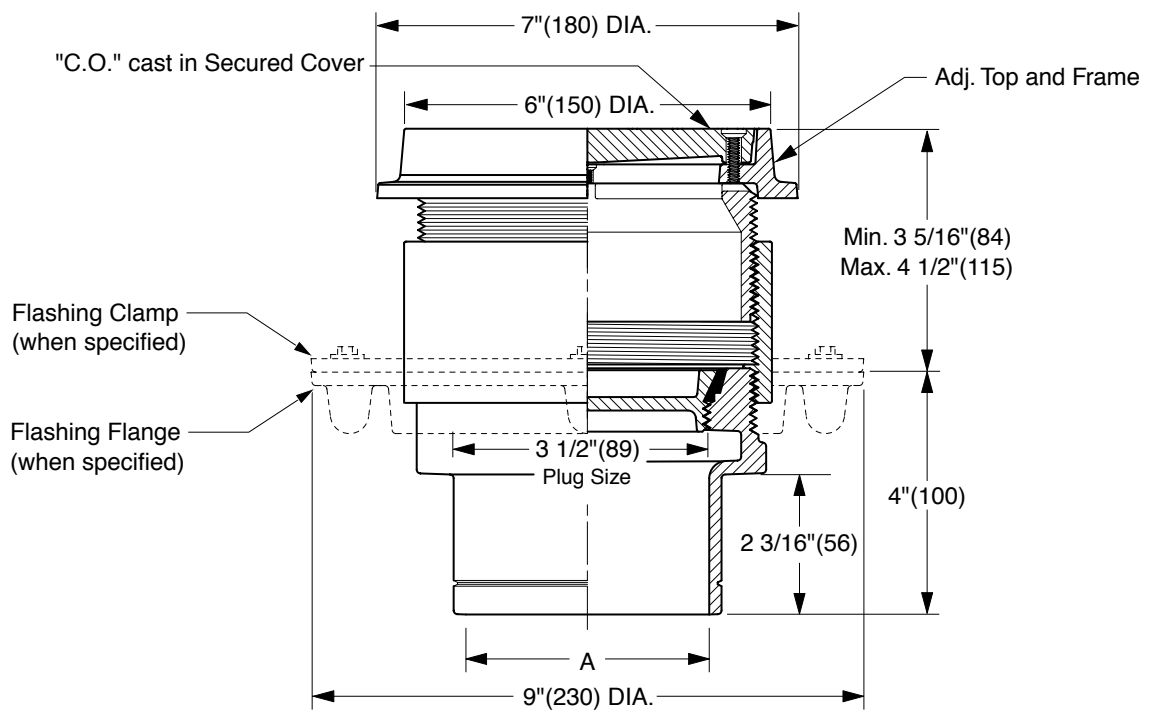


# FLOOR CLEANOUTS WITH "TWIS-TO-FLOOR®" ADJUSTABLE TOPS FOR UNFINISHED AREAS

## ROUND EXTRA HEAVY DUTY CAST IRON TOP

**FUNCTION:** Used in floors and areas where appearance of cast iron is satisfactory. Will withstand heavy load traffic.

DRAWING NUMBER: S4220  
 SIZE: A  
 SCALE: NONE  
 DATE: 2-16-70  
 APPROVED BY: JM  
 CHECKED BY: BH  
 DRAWN BY: RK  
 DIMENSIONS ARE SUBJECT TO MANUFACTURERS TOLERANCE AND CHANGE WITHOUT NOTICE



TWIS-TO-FLOOR® ADJUSTMENT  
 NO-HUB OUTLET

"A" (Pipe Size) = 02(50), 03(75) or 04(100)

- Fig. 4220S.....Gasket Seal - ABS Plug
- Fig. 4221S.....Gasket Seal - Bronze Plug
- Fig. 4223S.....Taper Thread - Bronze Plug
- Fig. 4224S.....Taper Thread - ABS Plug

(Twis-to-Floor® design shown with gasketed plug.)

**NOTE:** Dimensions shown in parentheses are in millimeters.

**REGULARLY FURNISHED:**

Duco Cast Iron Cleanout with Round Adjustable Scoriated Secured Cast Iron Top. Closure Plug Type as Indicated By Figure Number Selected.

**VARIATIONS:**

- Flashing Flange -F
- Flange with Flashing Clamp -F-C
- Vandal Proof Top -U

**OPTIONAL MATERIALS:**

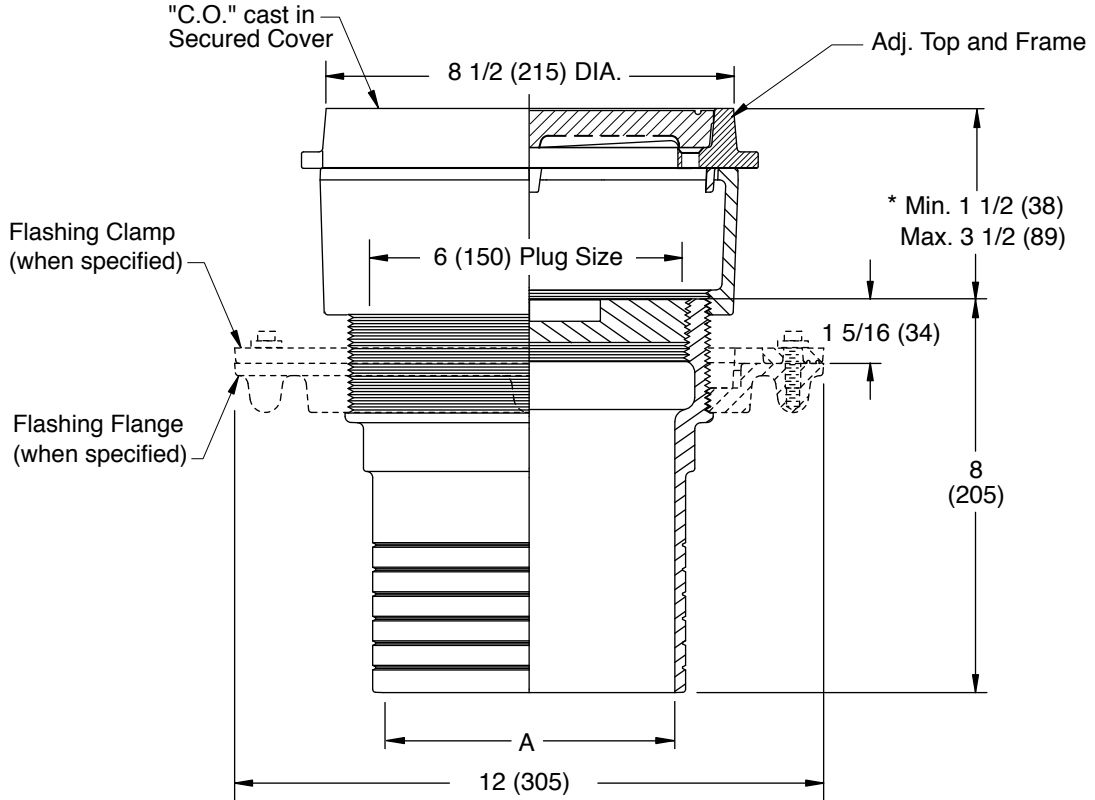
- Galvanized Cast Iron -G
- Ductile Iron Cover -M

<b>FIGURE NUMBER</b>	<b>P</b>	05/08/07 12/17/04	Revised Outlet Text Added Width Dimension at Top	JJ JJ	CL CL	WEIGHT POUNDS	VOLUME CUBIC FEET	<b>FIGURE NUMBER</b> <b>4220 SERIES</b>
	REV.	DATE	DESCRIPTION	BY	CKD. BY			

# FLOOR CLEANOUTS WITH "TWIS-TO-FLOOR®" ADJUSTABLE TOPS FOR UNFINISHED AREAS

## ROUND EXTRA HEAVY DUTY CAST IRON TOP

**FUNCTION:** Used in floors and areas where appearance of Cast Iron is satisfactory. Will withstand heavy load traffic.



### SPIGOT OUTLET▲

"A" (Pipe Size) = 06(150) & 08(200)

▲ Sized for Service Weight and/or NO-HUB.

\* When Flange-F is specified Min. 1 1/2 (38) becomes 2 (51)

### "TWIS-TO-FLOOR®" ADJUSTMENT

#### SPIGOT OUTLET▲

Fig. 4223S.....Taper Thread - Bronze Plug

#### REGULARLY FURNISHED:

Duco Cast Iron Cleanout with Taper Thread Bronze Plug and Round Adjustable Scoriated Secured Cast Iron Top.

#### VARIATIONS:

- Flashing Flange -F
- Flange with Flashing Clamp -F-C
- Vandal Proof Top -U

#### OPTIONAL MATERIALS:

- Galvanized Cast Iron -G
- Ductile Iron Cover-M

**NOTE:** Dimensions shown in parentheses are in millimeters.

DRAWING NUMBER  
S4220BS

SIZE  
A

SCALE:  
NONE

DATE:  
5-5-06

APPROVED BY:  
CEL

CHECKED BY:  
CL

DRAWN BY:  
RN

FIGURE NUMBER  
4223

DIMENSIONS ARE SUBJECT TO MANUFACTURERS TOLERANCE AND CHANGE WITHOUT NOTICE

REV.	DATE	DESCRIPTION	BY	CKD. BY

WEIGHT POUNDS	VOLUME CUBIC FEET

FIGURE NUMBER <b>4223</b>
------------------------------