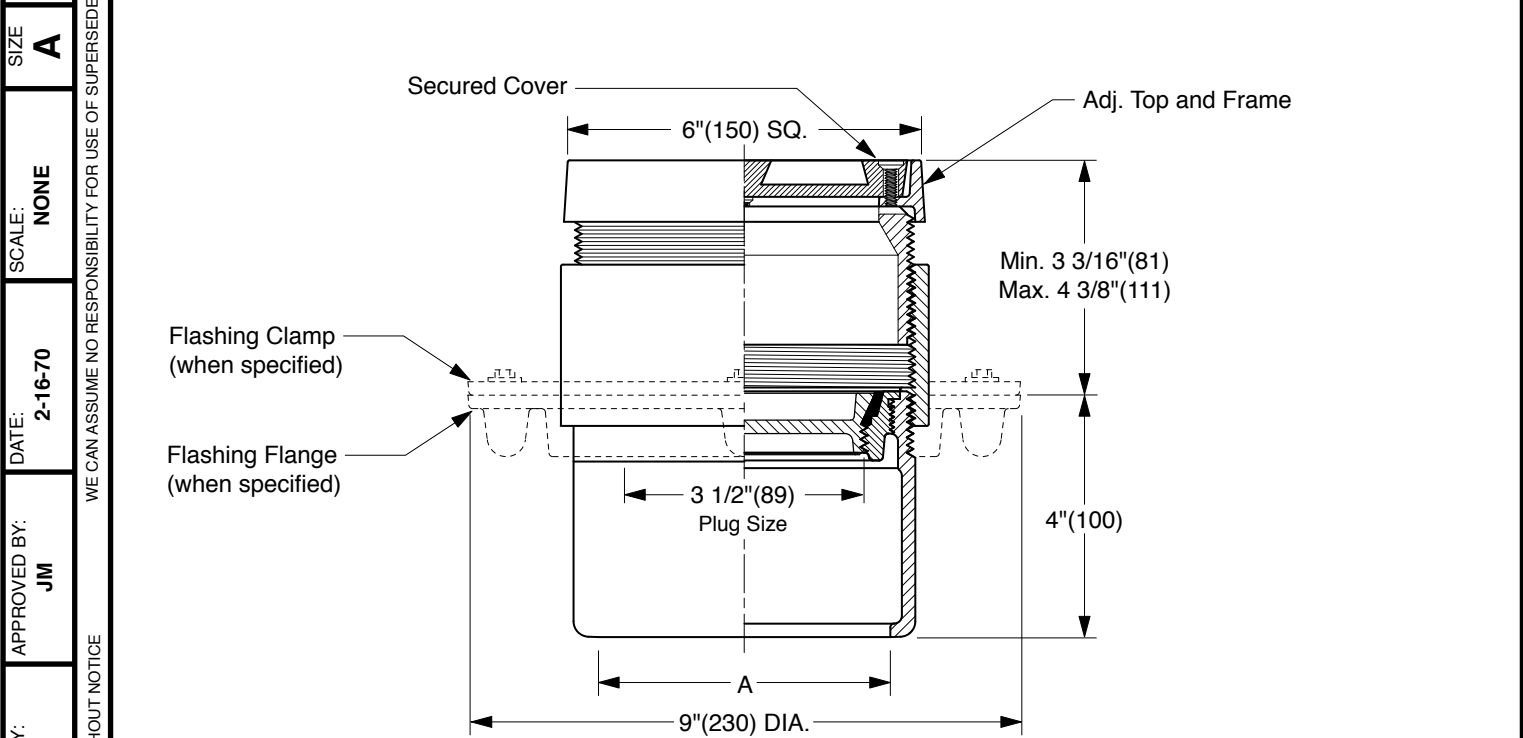


TERRAZZO FLOOR CLEANOUTS WITH "TWIS-TO-FLOOR®" ADJUSTABLE TOPS

SQUARE NICKEL BRONZE TOP WITH TERRAZZO RECESS

FUNCTION: Used in terrazzo and similar poured floors bearing foot and medium load wheeled traffic. The recess is filled with the floor material, presenting an unobtrusive appearance. Lock-in design firmly holds floor material in recess.



TWIS-TO-FLOOR® ADJUSTMENT
INSIDE CAULK OUTLET

"A" (Pipe Size) = 02(50), 03(75) or 04(100)

- | | |
|--|--|
| <input type="checkbox"/> Fig. 4205C.....Gasket Seal - ABS Plug
<input type="checkbox"/> Fig. 4206C.....Gasket Seal - Bronze Plug
<input type="checkbox"/> Fig. 4208C.....Taper Thread - Bronze Plug
<input type="checkbox"/> Fig. 4209C.....Taper Thread - ABS Plug | <p>(Twis-to-Floor® design shown with gasketed plug.)</p> <p>NOTE: Dimensions shown in parentheses are in millimeters.</p> |
|--|--|

- | | | |
|---|---|--|
| <p>REGULARLY FURNISHED:
 Duco Cast Iron Cleanout with Square Adjustable Secured Nickel Bronze Top with 1/2"(13) Terrazzo Recess. Closure Plug Type as Indicated By Figure Number Selected.</p> | <p>VARIATIONS:</p> <input type="checkbox"/> Flashing Flange -F
<input type="checkbox"/> Flange with Flashing Clamp -F-C
<input type="checkbox"/> Vandal Proof Top -U | <p>OPTIONAL MATERIALS:</p> <input type="checkbox"/> Galvanized Cast Iron -G
<input type="checkbox"/> Polished Bronze Top -PB |
|---|---|--|

FIGURE NUMBER	4205 SERIES	REV.	DATE	DESCRIPTION	BY	CKD. BY	WEIGHT POUNDS	VOLUME CUBIC FEET	FIGURE NUMBER
									4205 SERIES