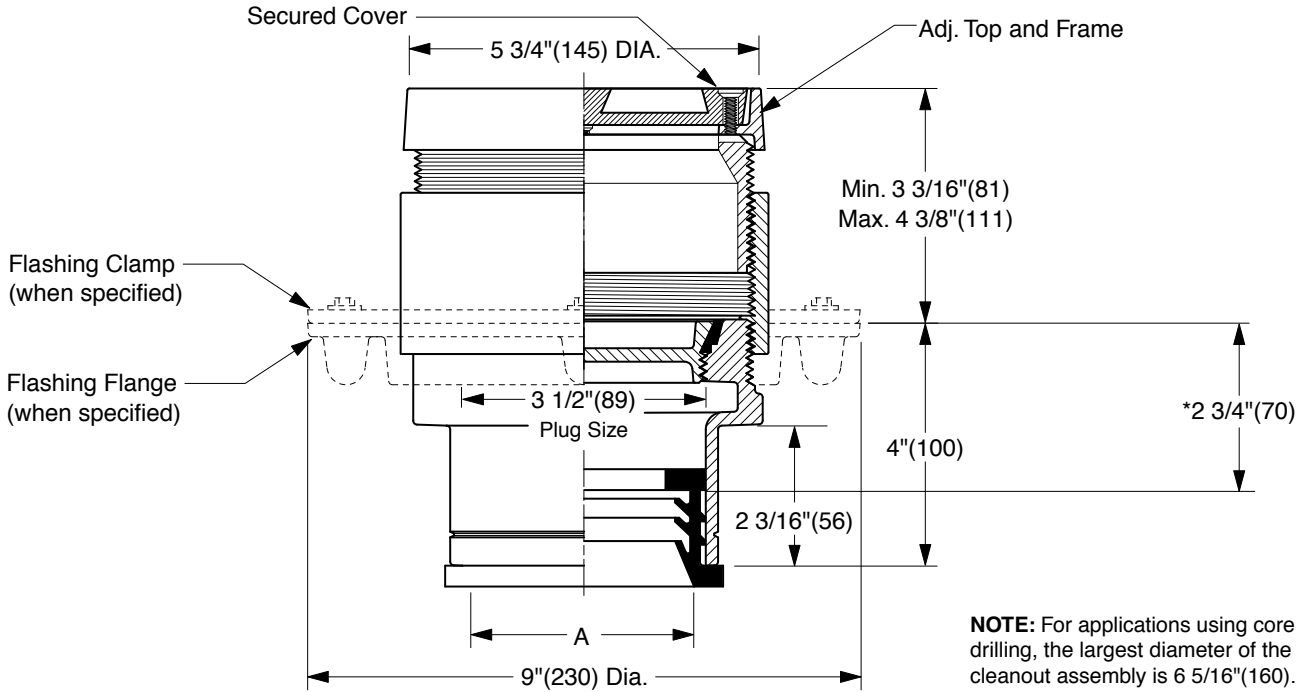


# TERRAZZO FLOOR CLEANOUTS WITH "TWIS-TO-FLOOR®" ADJUSTABLE TOPS

## ROUND NICKEL BRONZE TOP WITH TERRAZZO RECESS

**FUNCTION:** For use in floors and areas which are covered with a floor covering such as asphalt or vinyl tile, linoleum, etc., bearing foot and medium load wheeled traffic. The square top is particularly adaptable to the straight line patterns of tile designs. Allows for easy floor level adjustment.



**NOTE:** For applications using core drilling, the largest diameter of the cleanout assembly is 6 5/16"(160).

\* This Dimension to Internal Stop of Speedi-set Gasket.

- Fig. 4191L.....Gasket Seal - ABS Plug
- Fig. 4192L.....Gasket Seal - Bronze Plug
- Fig. 4193L.....Taper Thread - Bronze Plug
- Fig. 4194L.....Taper Thread - ABS Plug

(Twis-to-Floor® design shown with gasketed plug.)

**NOTE:** Dimensions shown in parentheses are in millimeters.

**REGULARLY FURNISHED:**

Duco Cast Iron Cleanout with Round Adjustable Secured Nickel Bronze Top with 1/2"(13) Terrazzo Recess. Closure Plug Type as Indicated By Figure Number Selected.

**VARIATIONS:**

- Flashing Flange -F
- Flange with Flashing Clamp -F-C
- Vandal Proof Top -U

F Available in Extra Heavy, Service Weight or NO-HUB.

**OPTIONAL MATERIALS:**

- Galvanized Cast Iron -G
- Polished Bronze Top -PB

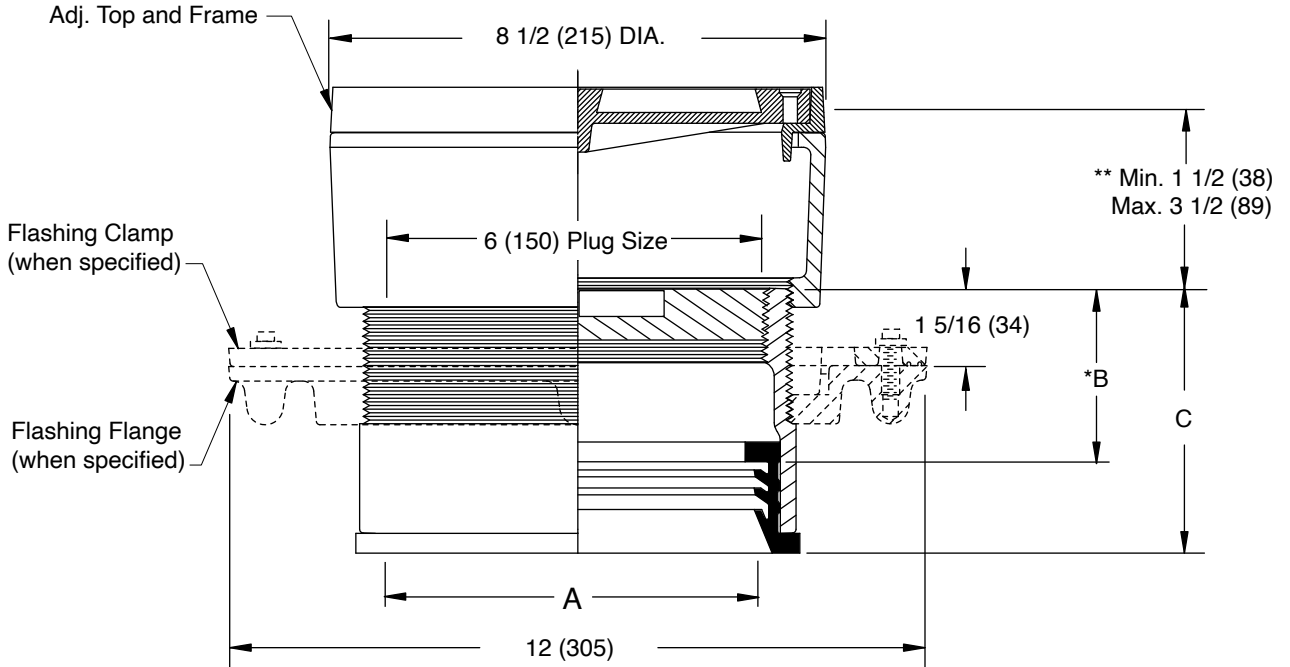
**4191 SERIES**  
 DRAWING NUMBER S4191  
 SIZE A  
 SCALE: NONE  
 DATE: 2-16-70  
 APPROVED BY: JM  
 CHECKED BY: BH  
 DRAWN BY: RK  
 DIMENSIONS ARE SUBJECT TO MANUFACTURERS TOLERANCE AND CHANGE WITHOUT NOTICE  
 WE CAN ASSUME NO RESPONSIBILITY FOR USE OF SUPERSEDED OR VOID DATA

REV.	DATE	DESCRIPTION	BY	CKD. BY	WEIGHT POUNDS	VOLUME CUBIC FEET	<b>FIGURE NUMBER</b> <b>4191 SERIES</b>
M	1-20-22	Removed "C.O." cast in	KK	CL			
L	12/17/04	Added Core-Drilling Note	JJ	CL			
K	07/29/02	Corrected Clamp & Flange view	JJ	CL			
J	04/12/01	Added dimension and note	JJ	CL			

# TERRAZZO FLOOR CLEANOUTS WITH "TWIS-TO-FLOOR®" ADJUSTABLE TOPS

## ROUND NICKEL BRONZE TOP WITH TERRAZZO RECESS

**FUNCTION:** Used in terrazzo and similar poured floors bearing foot and medium load wheeled traffic. The recess is filled with the floor material, presenting an unobtrusive appearance. Lock-in design firmly holds floor material in recess.



**SPEEDI-SET OUTLET ▲**

"A" (Pipe Size) = 06(150) & 08(200)

A SIZE	B	C
06(150)	*3(76)	4 9/16(117)
08(200)	*3 1/4(83)	4 13/16(121)

**▲ SPEEDI-SET OUTLET**

- L Service Weight - For Service Weight and No Hub Cast Iron Pipe (Available for all pipe sizes)
- LXH Extra Heavy - For Extra Heavy Cast Iron Pipe (Available for all pipe sizes)
- LXH Extra Heavy - For PVC Pipe (Available for 2", 3", 4", and 8" pipe sizes only)
- LPVC Plastic Pipe - For PVC or ABS pipe (Available for 6" pipe size only)
- \* This Dimension to Internal Stop of Speedi-Set Gasket.
- \*\* When Flange-F is specified Min. 1 1/8 (29) becomes 1 5/8 (41)

**"TWIS-TO-FLOOR®" ADJUSTMENT**

**SPEEDI-SET OUTLET ▲**

Fig. 4193L.....Taper Thread - Bronze Plug

**REGULARLY FURNISHED:**

Duco Cast Iron Cleanout with Taper Thread Bronze Plug and Round Adjustable Secured Nickel Bronze Top with 1/2 (13) Terrazzo Recess.

**VARIATIONS:**

- Flashing Flange -F
- Flange with Flashing Clamp -F-C
- Vandal Proof Top -U

**OPTIONAL MATERIALS:**

- Galvanized Cast Iron -G
- Polished Bronze Top -PB

**NOTE:** Dimensions shown in parentheses are in millimeters.

DRAWING NUMBER  
S4191BS

SIZE  
A

SCALE:  
NONE

DATE:  
5-5-06

APPROVED BY:  
CEL

CHECKED BY:  
CL

DRAWN BY:  
RN

**4193**

FIGURE NUMBER

WE CAN ASSUME NO RESPONSIBILITY FOR USE OF SUPERSEDED OR VOID DATA

REV.	DATE	DESCRIPTION	BY	CKD. BY
A	10-9-2020	Rev./Added New ▲ Note	MW	CR

WEIGHT POUNDS	VOLUME CUBIC FEET
---------------	-------------------

<b>FIGURE NUMBER</b> <b>4193</b>
-------------------------------------