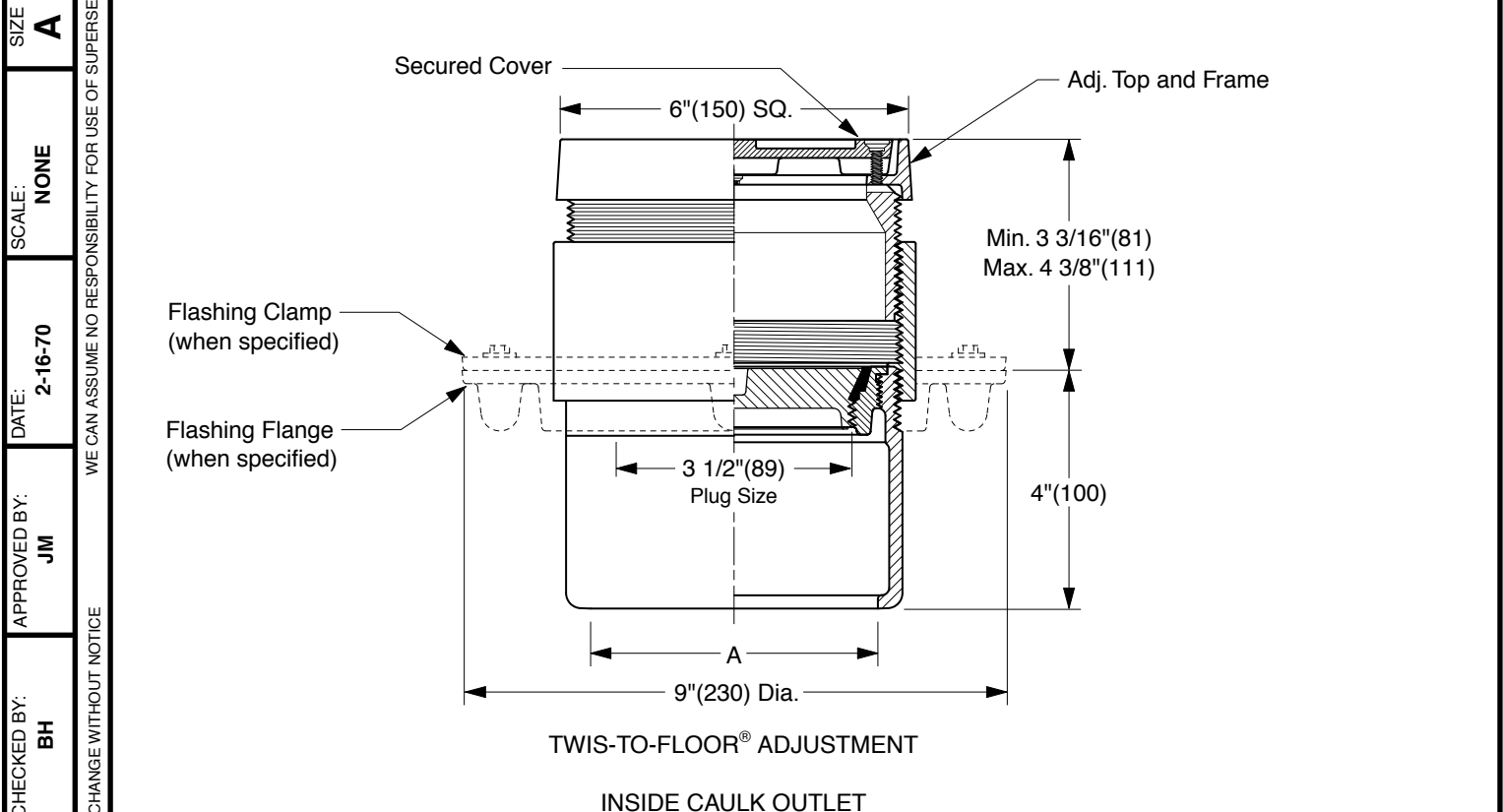


TILE FLOOR CLEANOUTS WITH "TWIS-TO-FLOOR®" ADJUSTABLE TOPS

SQUARE NICKEL BRONZE TOP WITH TILE RECESS

FUNCTION: For use in floors and areas which are covered with a floor covering such as asphalt or vinyl tile, linoleum, etc., bearing foot and medium load wheeled traffic. The square top is particularly adaptable to the straight line patterns of tile designs. Allows for easy floor level adjustment.



- | | | |
|--|--|--|
| <ul style="list-style-type: none"> <input type="checkbox"/> Fig. 4165C.....Gasket Seal - ABS Plug <input type="checkbox"/> Fig. 4166C.....Gasket Seal - Bronze Plug <input type="checkbox"/> Fig. 4168C.....Taper Thread - Bronze Plug <input type="checkbox"/> Fig. 4169C.....Taper Thread - ABS Plug | <p>(Twis-to-Floor® design shown with gasketed plug.)</p> <p>NOTE: Dimensions shown in parentheses are in millimeters.</p> | |
|--|--|--|

<p>REGULARLY FURNISHED: Duco Cast Iron Cleanout with Square Adjustable Secured Nickel Bronze Top with 1/8"(3) Tile Recess. Closure Plug Type as Indicated By Figure Number Selected.</p>	<p>VARIATIONS:</p> <ul style="list-style-type: none"> <input type="checkbox"/> Flashing Flange -F <input type="checkbox"/> Flange with Flashing Clamp -F-C <input type="checkbox"/> Vandal Proof Top -U 	<p>OPTIONAL MATERIALS:</p> <ul style="list-style-type: none"> <input type="checkbox"/> Galvanized Cast Iron -G <input type="checkbox"/> Polished Bronze Top -PB
--	---	--

FIGURE NUMBER	J H G	1-20-22 07/29/02 10/17/00	Removed "'C.O.'" cast in" Corrected Clamp & Flange view New design	KK JJ JJ	CL BS BS	WEIGHT POUNDS	VOLUME CUBIC FEET	FIGURE NUMBER
REV.	DATE	DESCRIPTION	BY	CKD. BY	4165 SERIES			