

L
 DRAWING NUMBER S4151
 SIZE A
 SCALE: NONE
 DATE: 2-16-70
 APPROVED BY: JM
 CHECKED BY: BH
 DRAWN BY: RK
4151 SERIES
 FIGURE NUMBER

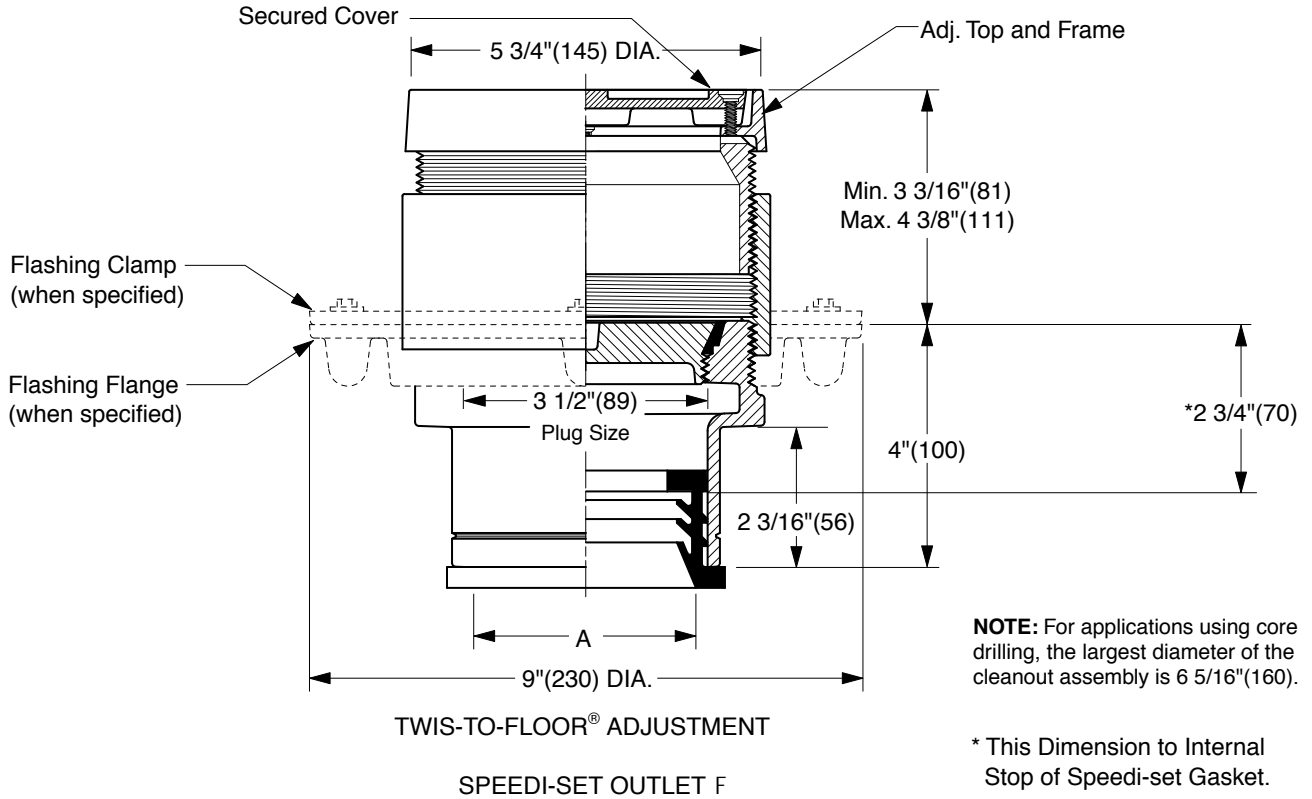
WE CAN ASSUME NO RESPONSIBILITY FOR USE OF SUPERSEDED OR VOID DATA

DIMENSIONS ARE SUBJECT TO MANUFACTURERS TOLERANCE AND CHANGE WITHOUT NOTICE

TILE FLOOR CLEANOUTS WITH "TWIS-TO-FLOOR®" ADJUSTABLE TOPS

ROUND NICKEL BRONZE TOP WITH TILE RECESS

FUNCTION: For use in floors and areas which are covered with a floor covering such as asphalt or vinyl tile, linoleum, etc., bearing foot and medium load wheeled traffic. The recess receives inlay of floor material, presenting an unobtrusive appearance. Allows for easy floor level adjustment.



NOTE: For applications using core drilling, the largest diameter of the cleanout assembly is 6 5/16" (160).

* This Dimension to Internal Stop of Speedi-set Gasket.

"A" (Pipe Size) = 02(50), 03(75) or 04(100)

- Fig. 4151L.....Gasket Seal - ABS Plug
- Fig. 4152L.....Gasket Seal - Bronze Plug
- Fig. 4153L.....Taper Thread - Bronze Plug
- Fig. 4154L.....Taper Thread - ABS Plug

(Twis-to-Floor® design shown with gasketed plug.)

NOTE: Dimensions shown in parentheses are in millimeters.

REGULARLY FURNISHED:

Duco Cast Iron Cleanout with Round Adjustable Secured Nickel Bronze Top with 1/8"(3) Tile Recess. Closure Plug Type as Indicated By Figure Number Selected.

VARIATIONS:

- Flashing Flange -F
- Flange with Flashing Clamp -F-C
- Vandal Proof Top -U

OPTIONAL MATERIALS:

- Galvanized Cast Iron -G
- Polished Bronze Top -PB

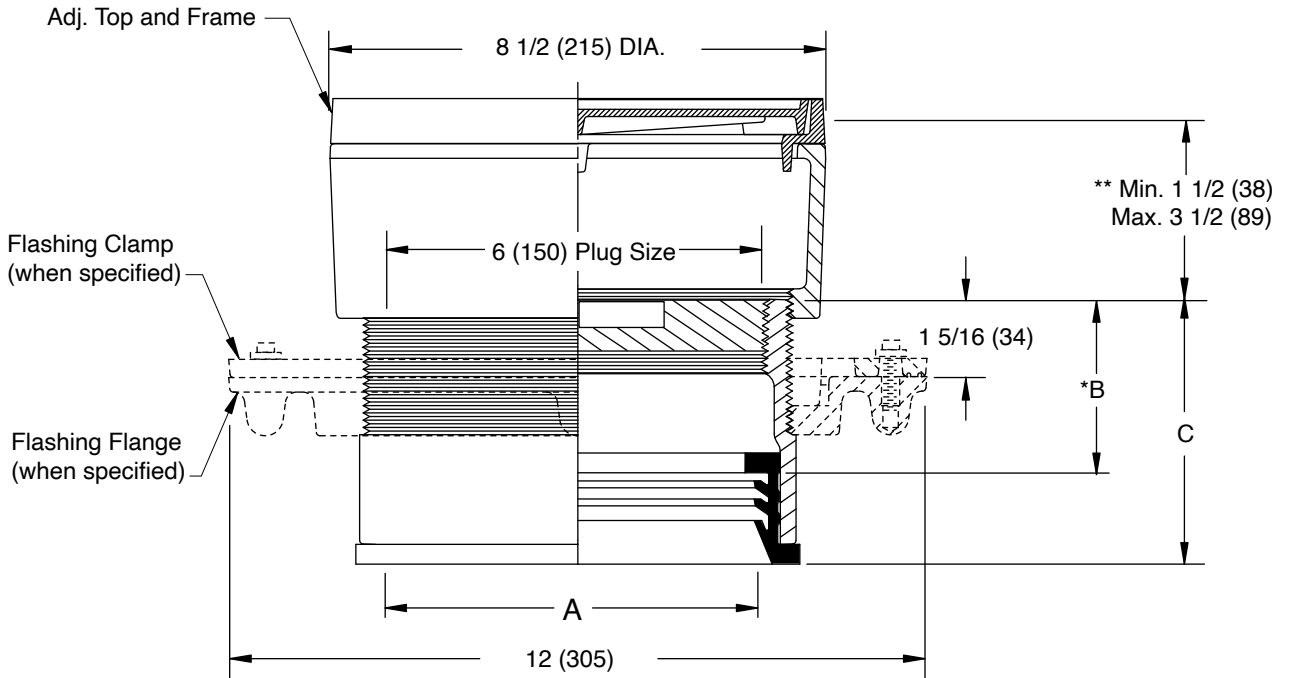
F Available in Extra Heavy, Service Weight or NO-HUB.

L	1-20-22	Removed "C.O." cast in	KK	CL	WEIGHT POUNDS	VOLUME CUBIC FEET	FIGURE NUMBER
K	12/17/04	Added Core-Drilling Note	JJ	CL			
J	07/29/02	Corrected Clamp & Flange view	JJ	CL	4151 SERIES		
H	04/12/01	Added dimension and note	JJ	CL			
REV.	DATE	DESCRIPTION	BY	CKD. BY			

TILE FLOOR CLEANOUTS WITH "TWIS-TO-FLOOR®" ADJUSTABLE TOPS

ROUND NICKEL BRONZE TOP WITH TILE RECESS

FUNCTION: For use in floors and areas which are covered with a floor covering such as asphalt or vinyl tile, linoleum, etc., bearing foot and medium load wheeled traffic. Tile recess receives inlay of floor material, presenting an unobtrusive appearance. Allows for easy floor level adjustment.



SPEEDI-SET OUTLET ▲

"A" (Pipe Size) = 06(150) & 08(200)

A SIZE	B	C
06(150)	*3(76)	4 9/16(117)
08(200)	*3 1/4(83)	4 13/16(121)

▲ SPEEDI-SET OUTLET

- L Service Weight - For Service Weight and No Hub Cast Iron Pipe (Available for all pipe sizes)
 - LXH Extra Heavy - For Extra Heavy Cast Iron Pipe (Available for all pipe sizes)
 - LXH Extra Heavy - For PVC Pipe (Available for 2", 3", 4", and 8" pipe sizes only)
 - LPVC Plastic Pipe - For PVC or ABS pipe (Available for 6" pipe size only)
- * This Dimension to Internal Stop of Speedi-Set Gasket.
 ** When Flange-F is specified Min. 1 1/8 (29) becomes 1 5/8 (41)

"TWIS-TO-FLOOR®" ADJUSTMENT

SPEEDI-SET OUTLET ▲

Fig. 4153L.....Taper Thread - Bronze Plug

REGULARLY FURNISHED:

Duco Cast Iron Cleanout with Taper Thread Bronze Plug and Round Adjustable Secured Nickel Bronze Top with 1/8 (3) Tile Recess.

VARIATIONS:

- Flashing Flange -F
- Flange with Flashing Clamp -F-C
- Vandal Proof Top -U

OPTIONAL MATERIALS:

- Galvanized Cast Iron -G
- Polished Bronze Top -PB

NOTE: Dimensions shown in parentheses are in millimeters.

DRAWING NUMBER
S4151BS

SIZE
A

SCALE:
NONE

DATE:
5-5-06

APPROVED BY:
CEL

CHECKED BY:
CL

DRAWN BY:
RN

4153

DIMENSIONS ARE SUBJECT TO MANUFACTURERS TOLERANCE AND CHANGE WITHOUT NOTICE

REV.	DATE	DESCRIPTION	BY	CKD. BY
A	10-9-2020	Rev./Added New ▲Note	MW	CR

WEIGHT POUNDS	VOLUME CUBIC FEET
---------------	-------------------

FIGURE NUMBER 4153
