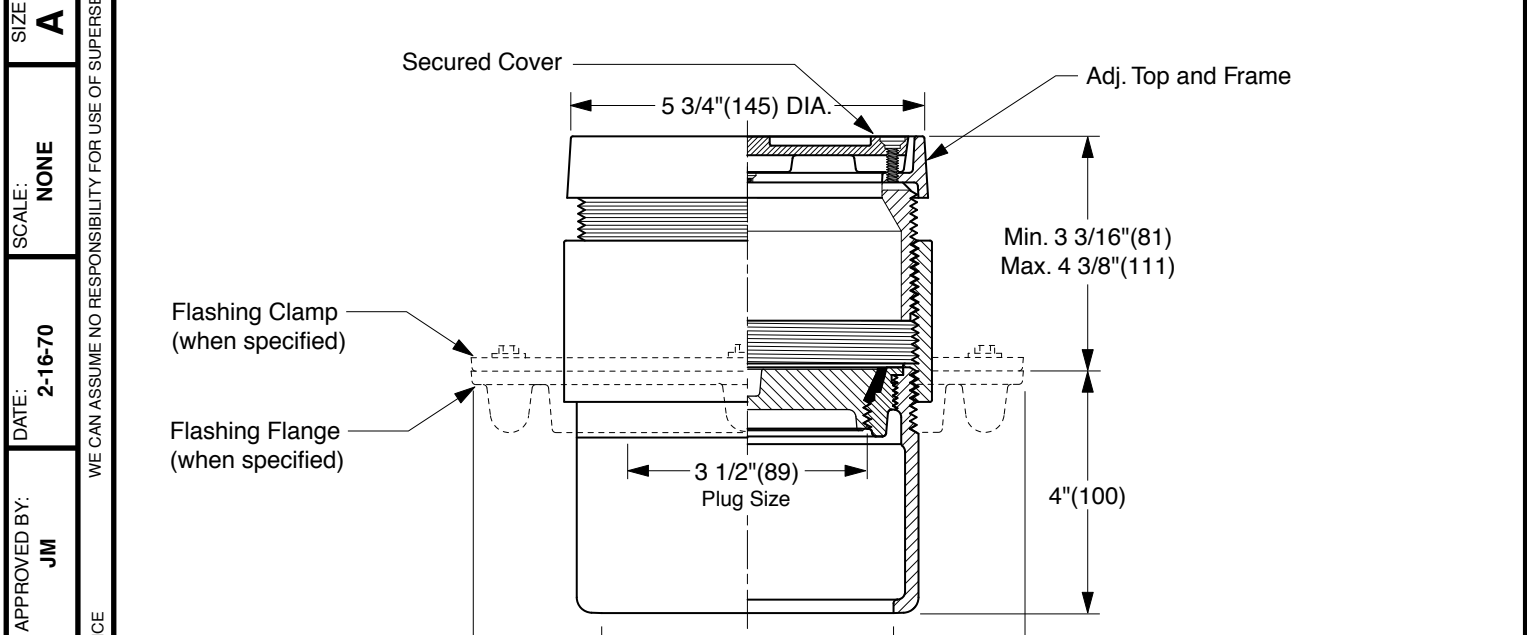


TILE FLOOR CLEANOUTS WITH "TWIS-TO-FLOOR"® ADJUSTABLE TOPS

ROUND NICKEL BRONZE TOP WITH TILE RECESS

FUNCTION: For use in floors and areas which are covered with a floor covering such as asphalt or vinyl tile, linoleum, etc., bearing foot and medium load wheeled traffic. Tile recess receives inlay of floor material, presenting an unobtrusive appearance. Allows for easy floor level adjustment.



TWIS-TO-FLOOR® ADJUSTMENT

INSIDE CAULK OUTLET

"A" (Pipe Size) = 02(50), 03(75) or 04(100)

NOTE: For applications using core drilling, the largest diameter of the cleanout assembly is 6 5/16" (160).

- Fig. 4145C.....Gasket Seal - ABS Plug
- Fig. 4146C.....Gasket Seal - Bronze Plug
- Fig. 4148C.....Taper Thread - Bronze Plug
- Fig. 4149C.....Taper Thread - ABS Plug

(Twis-to-Floor® design shown with gasketed plug.)

NOTE: Dimensions shown in parentheses are in millimeters.

REGULARLY FURNISHED:

Duco Cast Iron Cleanout with Round Adjustable Secured Nickel Bronze Top with 1/8"(3) Tile Recess. Closure Plug Type as Indicated By Figure Number Selected.

VARIATIONS:

- Flashing Flange -F
- Flange with Flashing Clamp -F-C
- Vandal Proof Top -U

OPTIONAL MATERIALS:

- Galvanized Cast Iron -G
- Polished Bronze Top -PB

FIGURE NUMBER	4145 SERIES	DRAWN BY: RK	CHECKED BY: BH	APPROVED BY: JM	DATE: 2-16-70	SCALE: NONE	SIZE: A	DRAWING NUMBER: S4145	K															
REV.	DATE	DESCRIPTION			BY	CKD. BY	WEIGHT POUNDS	VOLUME CUBIC FEET	FIGURE NUMBER															
		<table border="1" style="width:100%; border-collapse: collapse;"> <tr> <td style="width:25%;">K 1-20-22</td> <td style="width:25%;">Removed "C.O." cast in"</td> <td style="width:25%;">KK</td> <td style="width:25%;">CL</td> </tr> <tr> <td>J 12/17/04</td> <td>Added Core-Drilling Note</td> <td>JJ</td> <td>CL</td> </tr> <tr> <td>H 07/29/02</td> <td>Corrected Clamp & Flange view</td> <td>JJ</td> <td>CL</td> </tr> <tr> <td>G 10/17/00</td> <td>New design</td> <td>JJ</td> <td>BS</td> </tr> </table>			K 1-20-22	Removed "C.O." cast in"	KK	CL	J 12/17/04	Added Core-Drilling Note	JJ	CL	H 07/29/02	Corrected Clamp & Flange view	JJ	CL	G 10/17/00	New design	JJ	BS				4145 SERIES
K 1-20-22	Removed "C.O." cast in"	KK	CL																					
J 12/17/04	Added Core-Drilling Note	JJ	CL																					
H 07/29/02	Corrected Clamp & Flange view	JJ	CL																					
G 10/17/00	New design	JJ	BS																					