

K

SMITH® JAY R. SMITH MFG. CO.®
 MEMBER OF MORRIS GROUP INTERNATIONAL
 POST OFFICE BOX 3237
 MONTGOMERY, ALABAMA 36109-0237 (USA)
 TEL: 334-277-8520 FAX: 334-272-7396 www.jrsmith.com



LOCATION

DRAWING NUMBER
S4131

SIZE
A

SCALE:
NONE

DATE:
2-16-70

APPROVED BY:
JM

CHECKED BY:
BH

DRAWN BY:
RK

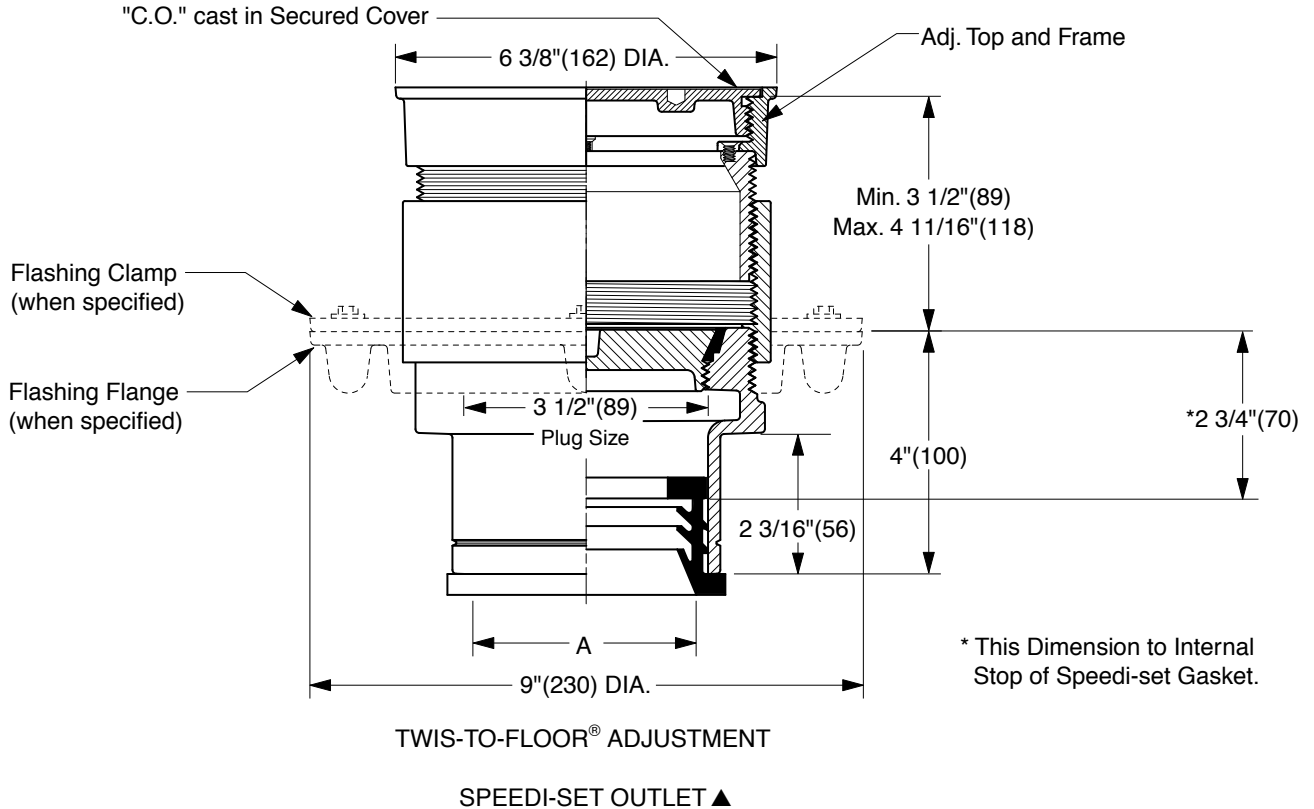
4131 SERIES

WE CAN ASSUME NO RESPONSIBILITY FOR USE OF SUPERSEDED OR VOID DATA
DIMENSIONS ARE SUBJECT TO MANUFACTURERS TOLERANCE AND CHANGE WITHOUT NOTICE

FINISHED FLOOR CLEANOUTS WITH "TWIS-TO-FLOOR®" ADJUSTABLE TOPS

ROUND NICKEL BRONZE TOP WITH THREADED SPANNER WRENCH COVER

FUNCTION: Used in finished floors subjected to pedestrian traffic when threaded watertight cover is desired.



* This Dimension to Internal Stop of Speedi-set Gasket.

"A" (Pipe Size) = 02(50), 03(75) or 04(100)

- Fig. 4131L.....Gasket Seal - ABS Plug
- Fig. 4132L.....Gasket Seal - Bronze Plug
- Fig. 4133L.....Taper Thread - Bronze Plug
- Fig. 4134L.....Taper Thread - ABS Plug

(Twis-to-Floor® design shown with gasketed plug.)

NOTE: Dimensions shown in parentheses are in millimeters.

REGULARLY FURNISHED:

Duco Cast Iron Cleanout with Round Adjustable Scoriated Secured Nickel Bronze Top. Closure Plug Type as Indicated By Figure Number Selected.

VARIATIONS:

- Flashing Flange -F
- Flange with Flashing Clamp -F-C
- With Spanner Wrench -SW

▲ Available in Extra Heavy, Service Weight or NO-HUB.

OPTIONAL MATERIALS:

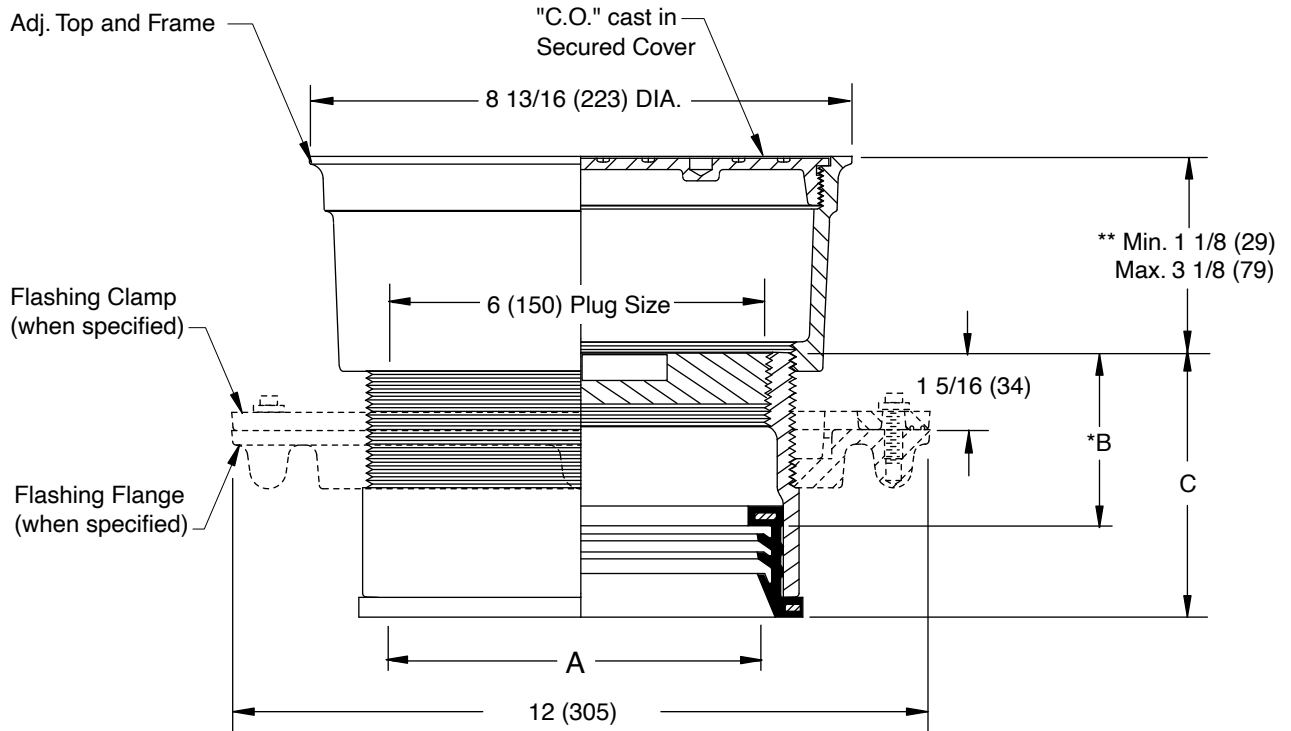
- Galvanized Cast Iron -G
- Polished Bronze Top -PB

REV.	DATE	DESCRIPTION	BY	CKD. BY	WEIGHT POUNDS	VOLUME CUBIC FEET	FIGURE NUMBER
K J H	07/29/02 04/12/01 10/17/00	Corrected Clamp & Flange view Added dimension and note New design	JJ JJ JJ	CL CL BS			4131 SERIES

FINISHED FLOOR CLEANOUTS WITH "TWIS-TO-FLOOR®" ADJUSTABLE TOPS

ROUND NICKEL BRONZE TOP WITH THREADED SPANNER WRENCH COVER

FUNCTION: Use in finished floors subjected to pedestrian traffic when threaded watertight cover is desired.



SPEEDI-SET OUTLET ▲

"A" (Pipe Size) = 06(150) & 08(200)

A SIZE	B	C
06(150)	*3(76)	4 9/16(117)
08(200)	*3 1/4(83)	4 13/16(121)

"TWIS-TO-FLOOR®" ADJUSTMENT

SPEEDI-SET OUTLET ▲

Fig. 4133L.....Taper Thread - Bronze Plug

▲ SPEEDI-SET OUTLET

- L Service Weight - For Service Weight and No Hub Cast Iron Pipe (Available for all pipe sizes)
- LXH Extra Heavy - For Extra Heavy Cast Iron Pipe (Available for all pipe sizes)
- LXH Extra Heavy - For PVC Pipe (Available for 2", 3", 4", and 8" pipe sizes only)
- LPVC Plastic Pipe - For PVC or ABS pipe (Available for 6" pipe size only)
- * This Dimension to Internal Stop of Speedi-Set Gasket.
- ** When Flange-F is specified Min. 1 1/8 (29) becomes 1 5/8 (41)

REGULARLY FURNISHED:

Duco Cast Iron Cleanout with Taper Thread Bronze Plug and Round Adjustable Scoriated Secured Nickel Bronze Top.

VARIATIONS:

- Flashing Flange -F
- Flange with Flashing Clamp -F-C
- Spanner Wrench -SW

OPTIONAL MATERIALS:

- Galvanized Cast Iron -G
- Polished Bronze Top -PB

NOTE: Dimensions shown in parentheses are in millimeters.

DRAWING NUMBER
S4131BS

SIZE
A

SCALE:
NONE

DATE:
5-5-06

APPROVED BY:
CEL

CHECKED BY:
CL

DRAWN BY:
RN

4133

FIGURE NUMBER

DIMENSIONS ARE SUBJECT TO MANUFACTURERS TOLERANCE AND CHANGE WITHOUT NOTICE
 WE CAN ASSUME NO RESPONSIBILITY FOR USE OF SUPERSEDED OR VOID DATA

REV.	DATE	DESCRIPTION	BY	CKD. BY
A	10-9-2020	Rev./Added New ▲Note	MW	CR

WEIGHT POUNDS	VOLUME CUBIC FEET
---------------	-------------------

FIGURE NUMBER 4133
