

J

SMITH® JAY R. SMITH MFG. CO.®
 MEMBER OF MORRIS GROUP INTERNATIONAL
 POST OFFICE BOX 3237
 MONTGOMERY, ALABAMA 36109-0237 (USA)
 TEL: 334-277-8520 FAX: 334-272-7396 www.jrsmith.com



LOCATION

DRAWING NUMBER
S4125

SIZE
A

SCALE:
NONE

DATE:
2-16-70

APPROVED BY:
JM

CHECKED BY:
BH

DRAWN BY:
RK

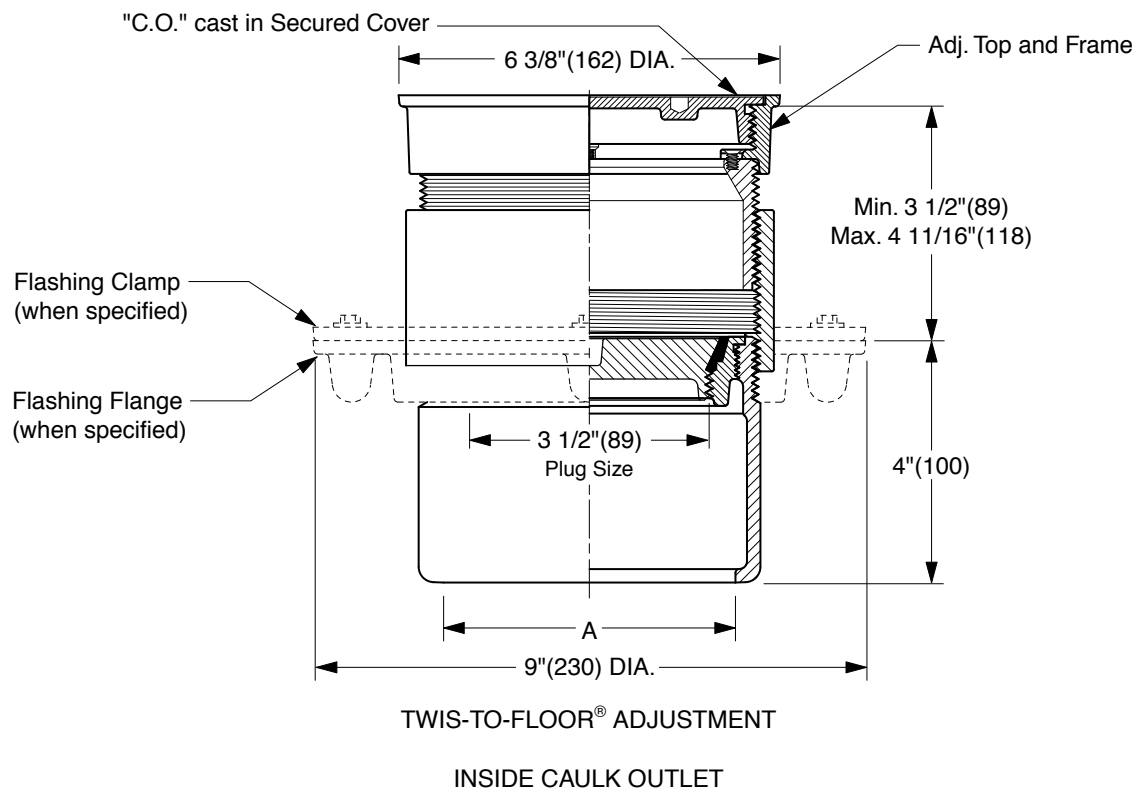
4125 SERIES

DIMENSIONS ARE SUBJECT TO MANUFACTURERS TOLERANCE AND CHANGE WITHOUT NOTICE

FINISHED FLOOR CLEANOUTS WITH "TWIS-TO-FLOOR®" ADJUSTABLE TOPS

ROUND NICKEL BRONZE TOP WITH THREADED SPANNER WRENCH COVER

FUNCTION: Used in finished floors subjected to pedestrian traffic when threaded watertight cover is desired.



"A" (Pipe Size) = 02(50), 03(75) or 04(100)

- Fig. 4125C.....Gasket Seal - ABS Plug
- Fig. 4126C.....Gasket Seal - Bronze Plug
- Fig. 4128C.....Taper Thread - Bronze Plug
- Fig. 4129C.....Taper Thread - ABS Plug

(Twis-to-Floor® design shown with gasketed plug.)

NOTE: Dimensions shown in parentheses are in millimeters.

REGULARLY FURNISHED:

Duco Cast Iron Cleanout with Round Adjustable Scoriated Secured Nickel Bronze Top. Closure Plug Type as Indicated By Figure Number Selected.

VARIATIONS:

- Flashing Flange -F
- Flange with Flashing Clamp -F-C
- With Spanner Wrench -SW

OPTIONAL MATERIALS:

- Galvanized Cast Iron -G
- Polished Bronze Top -PB

FIGURE NUMBER	J	07/29/02	Corrected Clamp & Flange view New design	JJ	CL BS	WEIGHT POUNDS	VOLUME CUBIC FEET	FIGURE NUMBER 4125 SERIES
	H	10/31/00		JJ				
REV.	DATE	DESCRIPTION	BY	CKD. BY				