

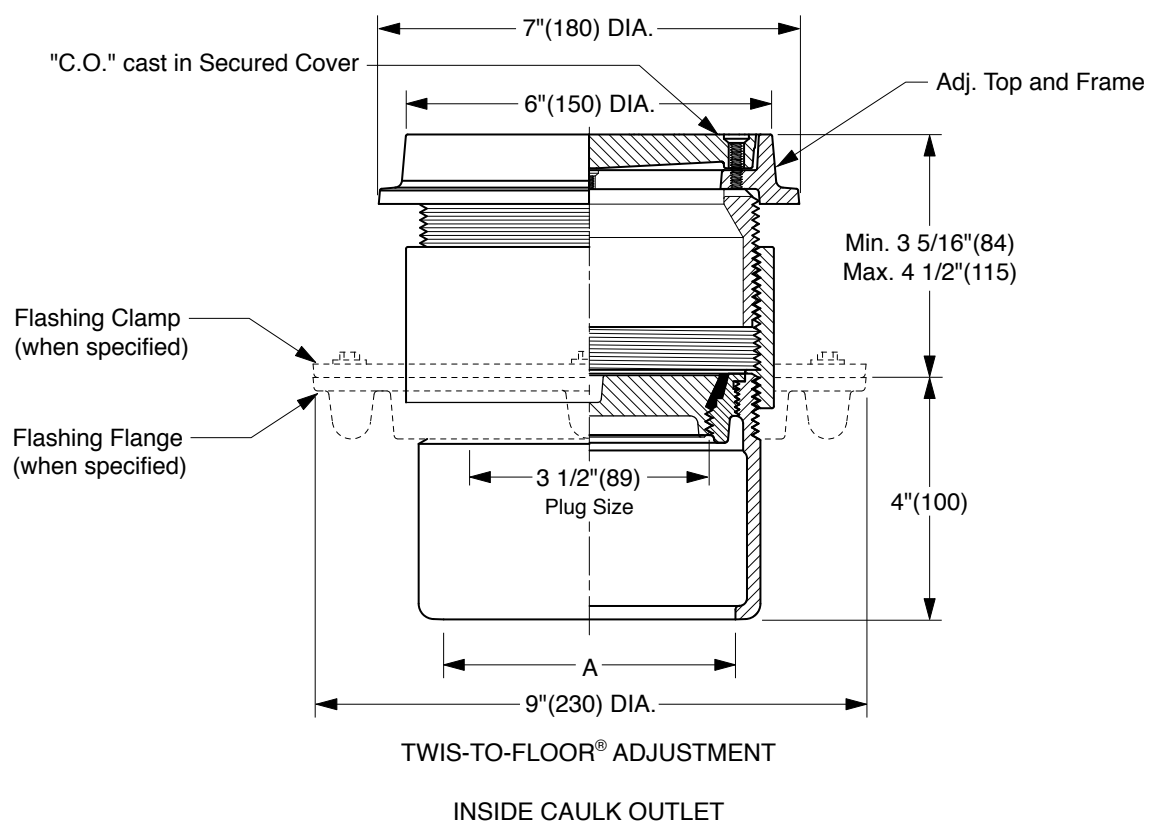
FINISHED FLOOR CLEANOUTS WITH "TWIS-TO-FLOOR®" ADJUSTABLE TOPS

ROUND EXTRA HEAVY DUTY NICKEL BRONZE TOP

FUNCTION: Used in hospitals, schools, institutional and industrial buildings where floors are subject to heavy load traffic.

DRAWING NUMBER: S4105
 SIZE: A
 SCALE: NONE
 DATE: 2-16-70
 APPROVED BY: JM
 CHECKED BY: BH
 DRAWN BY: RK
4105 SERIES

WE CAN ASSUME NO RESPONSIBILITY FOR USE OF SUPERSEDED OR VOID DATA
 DIMENSIONS ARE SUBJECT TO MANUFACTURERS TOLERANCE AND CHANGE WITHOUT NOTICE



"A" (Pipe Size) = 02(50), 03(75) or 04(100)

- Fig. 4105C.....Gasket Seal - ABS Plug
- Fig. 4106C.....Gasket Seal - Bronze Plug
- Fig. 4108C.....Taper Thread - Bronze Plug
- Fig. 4109C.....Taper Thread - ABS Plug

(Twis-to-Floor® design shown with gasketed plug.)
NOTE: Dimensions shown in parentheses are in millimeters.

REGULARLY FURNISHED:

Duco Cast Iron Cleanout with Round Adjustable Scoriated Secured Nickel Bronze Top. Closure Plug Type as Indicated By Figure Number Selected.

VARIATIONS:

- Flashing Flange -F
- Flange with Flashing Clamp -F-C
- Vandal Proof Top -U

OPTIONAL MATERIALS:

- Galvanized Cast Iron -G
- Polished Bronze Top -PB

FIGURE NUMBER	K J H	12/17/04 07/26/02 10/26/00	Added Width Dimension at Top Corrected Clamp & Flange view New design	JJ JJ JJ	CL CL CL	WEIGHT POUNDS	VOLUME CUBIC FEET	FIGURE NUMBER 4105 SERIES
REV.	DATE	DESCRIPTION	BY	CKD. BY				