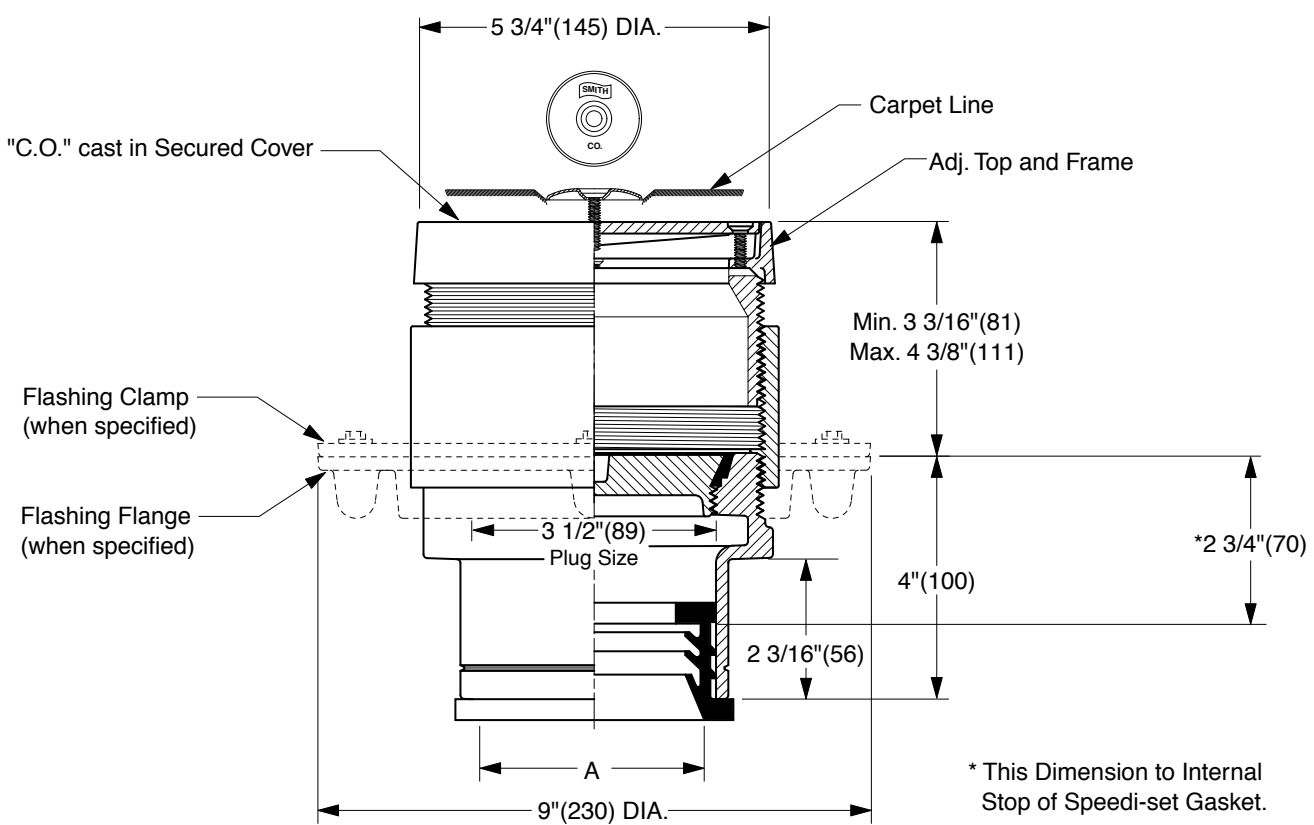


## FLOOR CLEANOUTS WITH "TWIS-TO-FLOOR®" ADJUSTABLE TOPS AND CARPET MARKER

### ROUND NICKEL BRONZE TOP

**FUNCTION:** For use in carpeted floors bearing foot and medium load wheeled traffic. Allows for easy carpet level adjustment.



TWIS-TO-FLOOR® ADJUSTMENT

SPEEDI-SET OUTLET ▲

"A" (Pipe Size) = 02(50), 03(75) or 04(100)

- |  |   |
|--|---|
| <ul style="list-style-type: none"> <li><input type="checkbox"/> Fig. 4031L (-Y).....Gasket Seal - ABS Plug</li> <li><input type="checkbox"/> Fig. 4032L (-Y).....Gasket Seal - Bronze Plug</li> <li><input type="checkbox"/> Fig. 4033L (-Y).....Taper Thread - Bronze Plug</li> <li><input type="checkbox"/> Fig. 4034L (-Y).....Taper Thread - ABS Plug</li> </ul> | <p>(Twis-to-Floor® design shown with gasketed plug.)</p> <p>▲ Available in Extra Heavy, Service Weight or NO-HUB.</p> |
|--|---|

**REGULARLY FURNISHED:**

Duco Cast Iron Cleanout with Round Adjustable Scoriated Secured Nickel Bronze Top and Carpet Marker. Closure Plug Type as Indicated by Figure Number Selected.

**VARIATIONS:**

- Flashing Flange -F
- Flange with Flashing Clamp -F-C
- Carpet Clamping Type -X
- Vandal Proof Top -U
- Wide Flange (DX)

**OPTIONAL MATERIALS:**

- Galvanized Cast Iron -G
- Polished Bronze Top -PB

**NOTE:** Dimensions shown in parentheses are in millimeters.

DRAWING NUMBER: S4031 (-Y)  
 SIZE: A  
 SCALE: NONE  
 DATE: 04/13/89  
 APPROVED BY: TD  
 CHECKED BY: CR  
 DRAWN BY: EMB  
**4031 (-Y) SERIES**  
 DIMENSIONS ARE SUBJECT TO MANUFACTURERS TOLERANCE AND CHANGE WITHOUT NOTICE

REV.	DATE	DESCRIPTION	BY	CKD. BY	WEIGHT POUNDS	VOLUME CUBIC FEET	<b>FIGURE NUMBER</b>
							<b>4031 (-Y) SERIES</b>

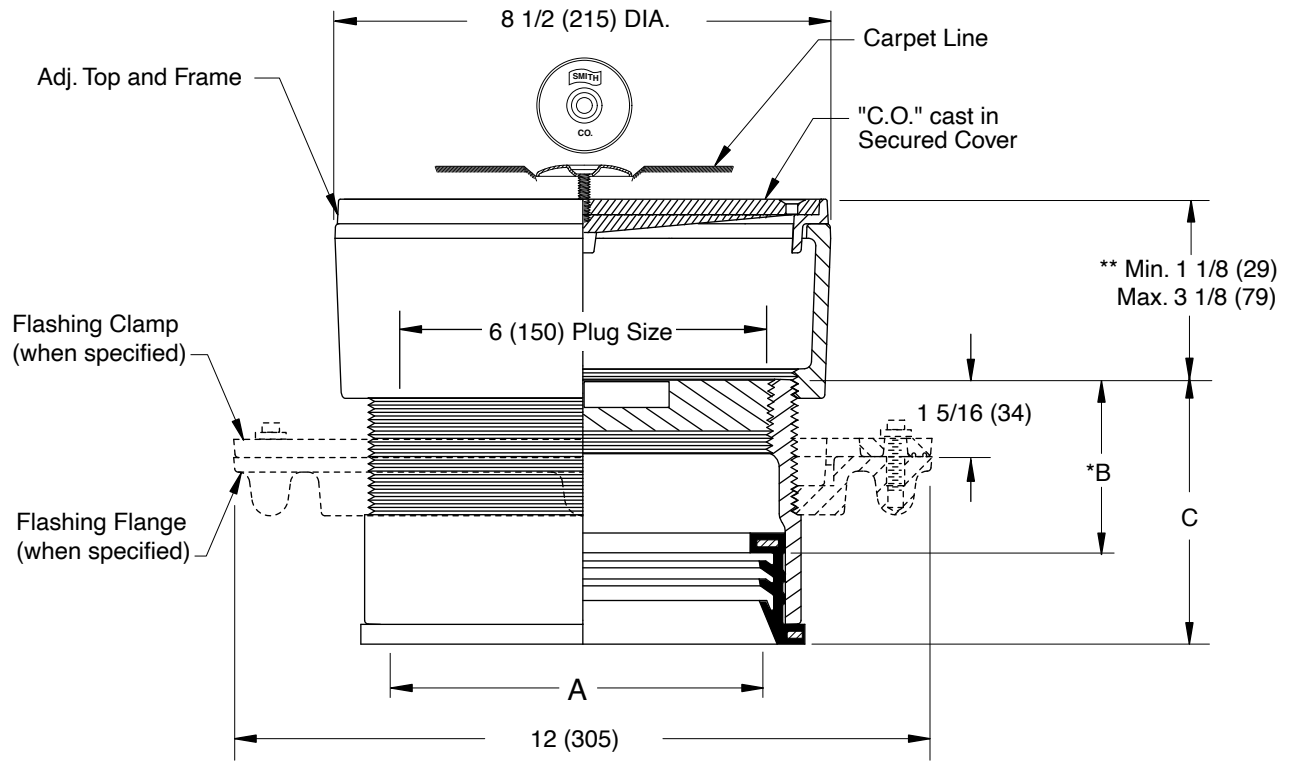
A  
 DRAWING NUMBER S4031(-Y)BS  
 SIZE A  
 SCALE: NONE  
 DATE: 7-25-06  
 APPROVED BY: CEL  
 CHECKED BY: CL  
 DRAWN BY: TBW  
 4033 (-Y)  
 FIGURE NUMBER

WE CAN ASSUME NO RESPONSIBILITY FOR USE OF SUPERSEDED OR VOID DATA  
 DIMENSIONS ARE SUBJECT TO MANUFACTURERS TOLERANCE AND CHANGE WITHOUT NOTICE

# FLOOR CLEANOUTS WITH "TWIS-TO-FLOOR®" ADJUSTABLE TOP AND CARPET MARKER

## ROUND NICKEL BRONZE TOP

**FUNCTION:** For use in carpeted floors bearing foot and medium load wheeled traffic. Allows for easy fcarpet level adjustment.



**SPEEDI-SET OUTLET ▲**  
 "A" (Pipe Size) = 06(150) & 08(200)

A SIZE	B	C
06(150)	*3(76)	4 9/16(117)
08(200)	*3 1/4(83)	4 13/16(121)

- ▲ SPEEDI-SET OUTLET**
- L Service Weight - For Service Weight and No Hub Cast Iron Pipe (Available for all pipe sizes)
  - LXH Extra Heavy - For Extra Heavy Cast Iron Pipe (Available for all pipe sizes)
  - LXH Extra Heavy - For PVC Pipe (Available for 2", 3", 4", and 8" pipe sizes only)
  - LPVC Plastic Pipe - For PVC or ABS pipe (Available for 6" pipe size only)
- \* This Dimension to Internal Stop of Speedi-Set Gasket.  
 \*\* When Flange-F is specified Min. 1 1/8 (29) becomes 1 5/8 (41)

"TWIS-TO-FLOOR®" ADJUSTMENT  
**SPEEDI-SET OUTLET ▲**  
 Fig. 4033L (-Y).....Taper Thread - Bronze Plug

**REGULARLY FURNISHED:**  
 Duco Cast Iron Cleanout with Taper Thread Bronze Plug and Round Adjustable Scoriated Secured Nickel Bronze Top and Carpet Marker.

- VARIATIONS:**
- Flashing Flange -F
  - Flange with Flashing Clamp -F-C
  - Vandal Proof Top -U

- OPTIONAL MATERIALS:**
- Galvanized Cast Iron -G
  - Polished Bronze Top -PB

**NOTE:** Dimensions shown in parentheses are in millimeters.

REV.	DATE	DESCRIPTION	BY	CKD. BY	WEIGHT POUNDS	VOLUME CUBIC FEET	FIGURE NUMBER
A	10-9-2020	Rev./Added New ▲Note	MW	CR			<b>4033 (-Y)</b>