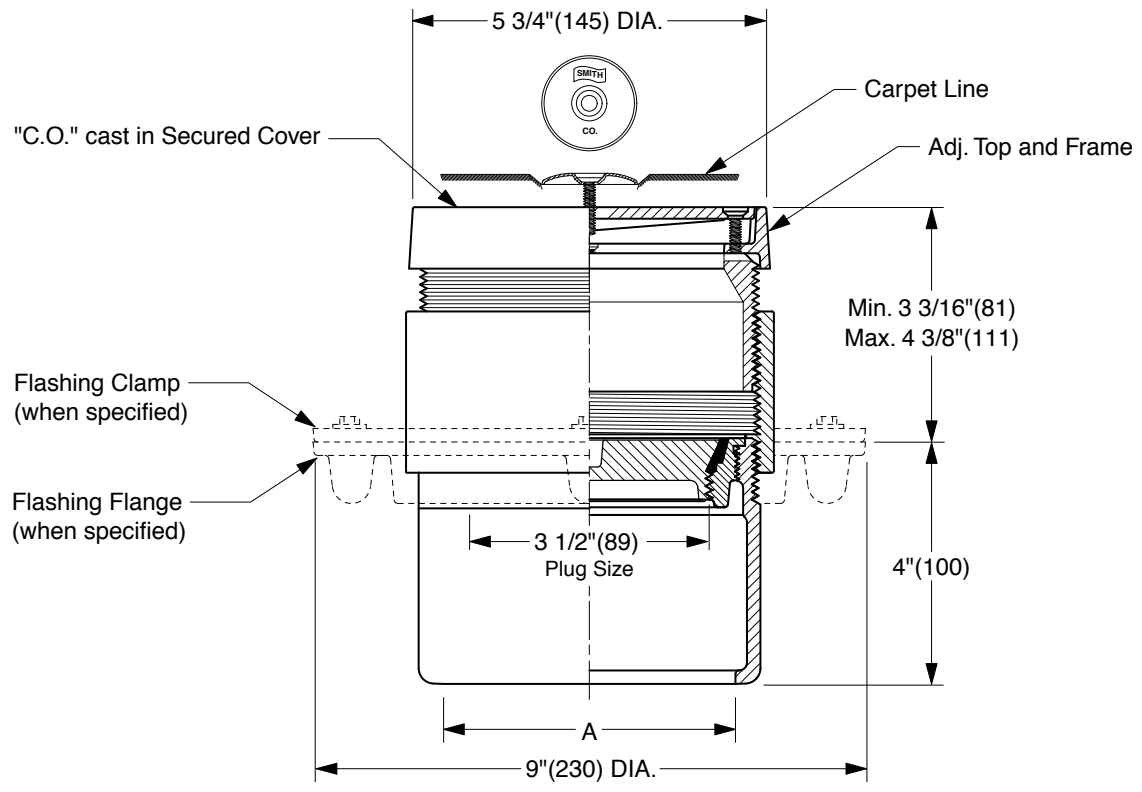


CARPETED FLOOR CLEANOUTS WITH "TWIS-TO-FLOOR®" ADJUSTABLE TOPS AND CARPET MARKER

ROUND NICKEL BRONZE TOP

FUNCTION: For use in carpeted floors bearing foot and medium load wheeled traffic. Allows for easy carpet level adjustment.



TWIS-TO-FLOOR® ADJUSTMENT
INSIDE CAULK OUTLET
 "A" (Pipe Size) = 02(50), 03(75) or 04(100)

- | | | |
|--------------------------|------------------------------------------------|------------------------------------------------------------------|
| <input type="checkbox"/> | Fig. 4025C (-Y).....Gasket Seal - ABS Plug | (Twis-to-Floor® design shown with gasketed plug.) |
| <input type="checkbox"/> | Fig. 4026C (-Y).....Gasket Seal - Bronze Plug | |
| <input type="checkbox"/> | Fig. 4028C (-Y).....Taper Thread - Bronze Plug | |
| <input type="checkbox"/> | Fig. 4029C (-Y).....Taper Thread - ABS Plug | NOTE: Dimensions shown in parentheses are in millimeters. |

REGULARLY FURNISHED:
 Duco Cast Iron Cleanout with Round Adjustable Scoriated Secured Nickel Bronze Top and Carpet Marker.
 Closure Plug Type as Indicated by Figure Number Selected.

- VARIATIONS:**
- Flashing Flange -F
 - Flange with Flashing Clamp -F-C
 - Carpet Clamping Type -X
 - Vandal Proof Top -U
 - Wide Flange (DX)

- OPTIONAL MATERIALS:**
- Galvanized Cast Iron -G
 - Polished Bronze Top -PB

DRAWING NUMBER: S4025 (-Y)
 SIZE: A
 SCALE: NONE
 DATE: 04/13/89
 APPROVED BY: TD
 CHECKED BY: CR
 DRAWN BY: EMB
4025 (-Y) SERIES
 DIMENSIONS ARE SUBJECT TO MANUFACTURERS TOLERANCE AND CHANGE WITHOUT NOTICE
 WE CAN ASSUME NO RESPONSIBILITY FOR USE OF SUPERSEDED OR VOID DATA

FIGURE NUMBER	C B	07/26/02 01/17/01	Corrected Clamp & Flange view New design	JJ JJ	BS BS	WEIGHT POUNDS	VOLUME CUBIC FEET	FIGURE NUMBER 4025 (-Y) SERIES
	REV.	DATE	DESCRIPTION	BY	CKD. BY			