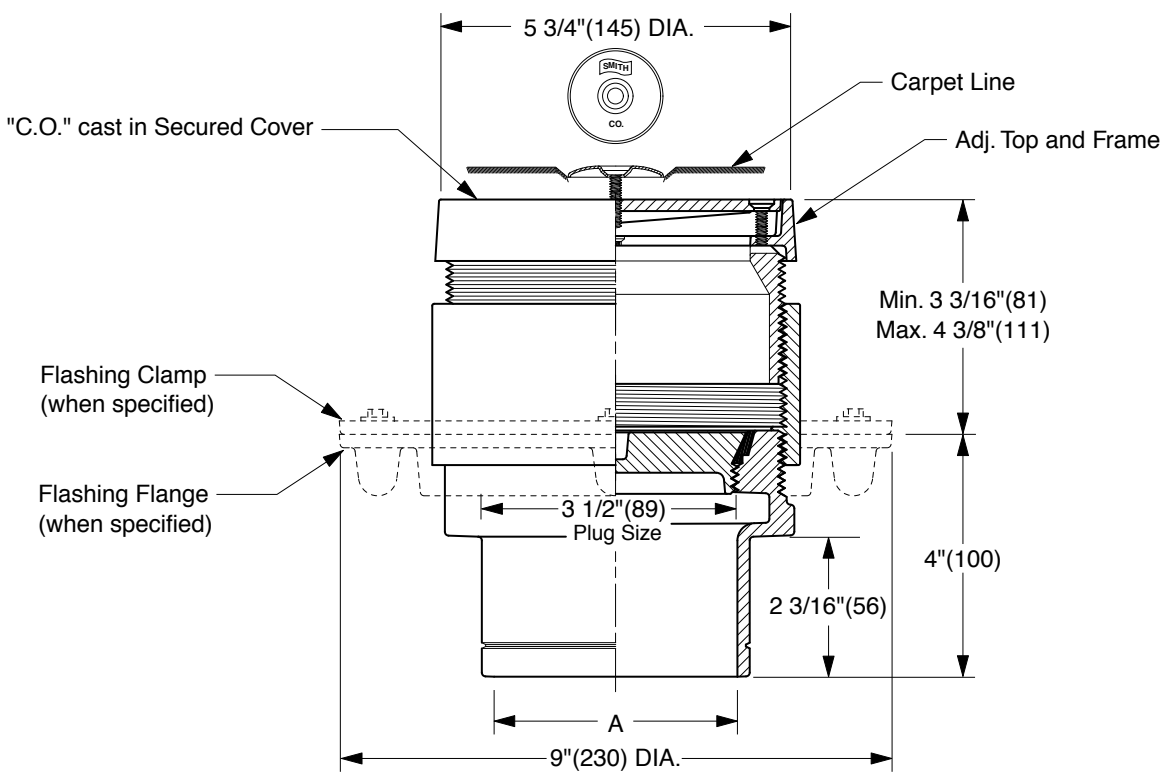


FLOOR CLEANOUTS WITH "TWIS-TO-FLOOR®" ADJUSTABLE TOPS AND CARPET MARKER

ROUND NICKEL BRONZE TOP

FUNCTION: For use in carpeted floors bearing foot and medium load wheeled traffic. Allows for easy carpet level adjustment.



"A" (Pipe Size) = 02(50), 03(75), 04(100) or 05(125)

- | | | |
|--------------------------|------------------------------------------------|---------------------------------------------------|
| <input type="checkbox"/> | Fig. 4020S (-Y).....Gasket Seal - ABS Plug | (Twis-to-Floor® design shown with gasketed plug.) |
| <input type="checkbox"/> | Fig. 4021S (-Y).....Gasket Seal - Bronze Plug | |
| <input type="checkbox"/> | Fig. 4023S (-Y).....Taper Thread - Bronze Plug | |
| <input type="checkbox"/> | Fig. 4024S (-Y).....Taper Thread - ABS Plug | |

REGULARLY FURNISHED:
 Duco Cast Iron Cleanout with Round Adjustable Scoriated Secured Nickel Bronze Top and Carpet Marker. Closure Plug Type as Indicated by Figure Number Selected.

- VARIATIONS:**
- | | |
|--------------------------|---------------------------------|
| <input type="checkbox"/> | Flashing Flange -F |
| <input type="checkbox"/> | Flange with Flashing Clamp -F-C |
| <input type="checkbox"/> | Vandal Proof Top -U |
| <input type="checkbox"/> | Wide Flange (DX) |

- OPTIONAL MATERIALS:**
- | | |
|--------------------------|-------------------------|
| <input type="checkbox"/> | Galvanized Cast Iron -G |
| <input type="checkbox"/> | Polished Bronze Top -PB |

NOTE: Dimensions shown in parentheses are in millimeters.

DRAWING NUMBER: S4020 (-Y)
 SIZE: A
 SCALE: NONE
 DATE: 04/13/89
 APPROVED BY: TD
 CHECKED BY: CR
 DRAWN BY: EMB
4020 (-Y) SERIES
 DIMENSIONS ARE SUBJECT TO MANUFACTURERS TOLERANCE AND CHANGE WITHOUT NOTICE
 WE CAN ASSUME NO RESPONSIBILITY FOR USE OF SUPERSEDED OR VOID DATA

REV.	DATE	DESCRIPTION	BY	CKD. BY	WEIGHT POUNDS	VOLUME CUBIC FEET	FIGURE NUMBER
D C B	07/26/02 05/03/01 01/17/01	Corrected Clamp & Flange view Edited Outlet Text New design	JJ JJ JJ	CL CL BS			4020 (-Y) SERIES



JAY R. SMITH MFG. CO.
 MEMBER OF MORRIS GROUP INTERNATIONAL
 POST OFFICE BOX 3237
 MONTGOMERY, ALABAMA 36109-0237 (USA)
 TEL: 334-277-8520 FAX: 334-272-7396 www.jrsmith.com



LOCATION

DRAWING NUMBER
S4020 (-Y)BS

SIZE
A

SCALE:
NONE

DATE:
7-26-06

APPROVED BY:
CEL

CHECKED BY:
CL

DRAWN BY:
TBW

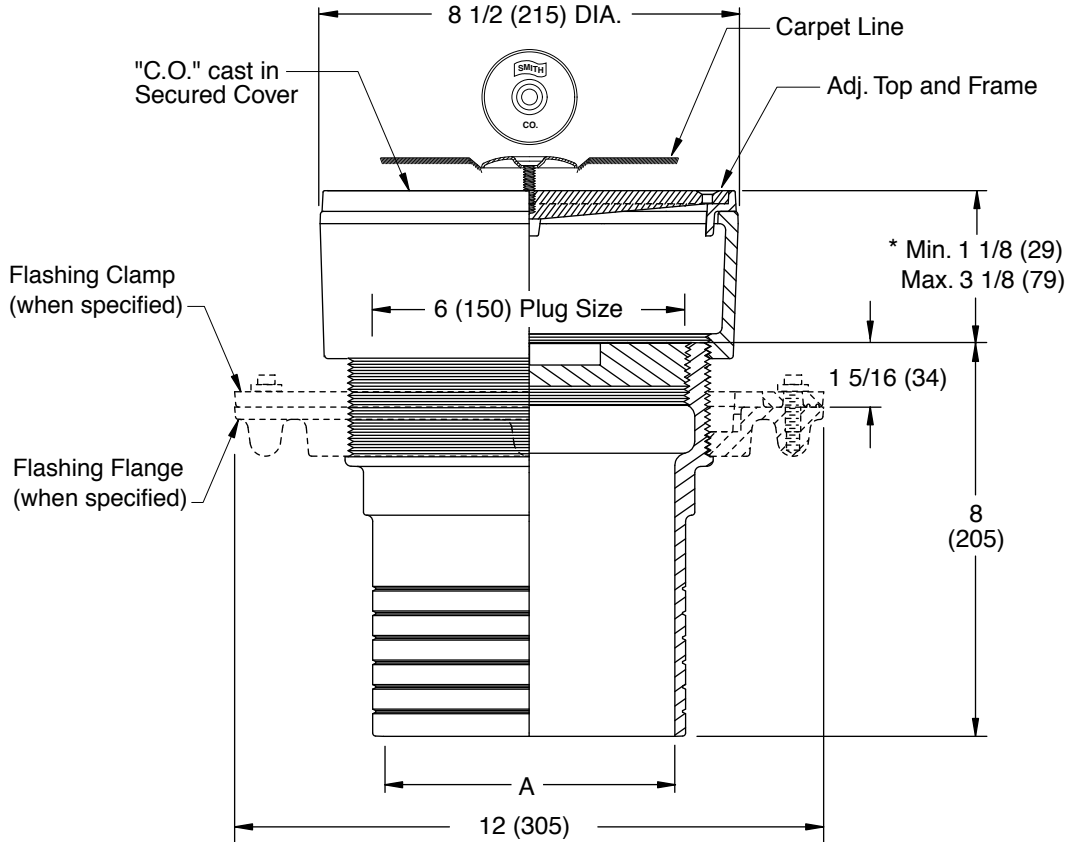
4023 (-Y)

WE CAN ASSUME NO RESPONSIBILITY FOR USE OF SUPERSEDED OR VOID DATA

FLOOR CLEANOUTS WITH "TWIS-TO-FLOOR"® ADJUSTABLE TOPS AND CARPET MARKER

ROUND NICKEL BRONZE TOP

FUNCTION: For use in carpeted floors bearing foot and medium load wheeled traffic. Allows for easy carpet level adjustment.



SPIGOT OUTLET ▲

"A" (Pipe Size) = 06(150) & 08(200)

▲ Sized for Service Weight and/or NO-HUB.

* When Flange-F is specified Min. 1 1/8 (29) becomes 1 5/8 (41)

"TWIS-TO-FLOOR"® ADJUSTMENT

SPIGOT OUTLET ▲

Fig. 4023S (-Y).....Taper Thread - Bronze Plug

REGULARLY FURNISHED:

Duco Cast Iron Cleanout with Round Adjustable Scoriated Secured Nickel Bronze Top and Carpet Marker.

VARIATIONS:

- Flashing Flange -F
- Flange with Flashing Clamp -F-C
- Vandal Proof Top -U

OPTIONAL MATERIALS:

- Galvanized Cast Iron -G
- Polished Bronze Top -PB

NOTE: Dimensions shown in parentheses are in millimeters.

REV.	DATE	DESCRIPTION	BY	CKD. BY

WEIGHT POUNDS	VOLUME CUBIC FEET

FIGURE NUMBER
4023 (-Y)



WARNING: Cancer and Reproductive Harm - www.P65Warnings.ca.gov