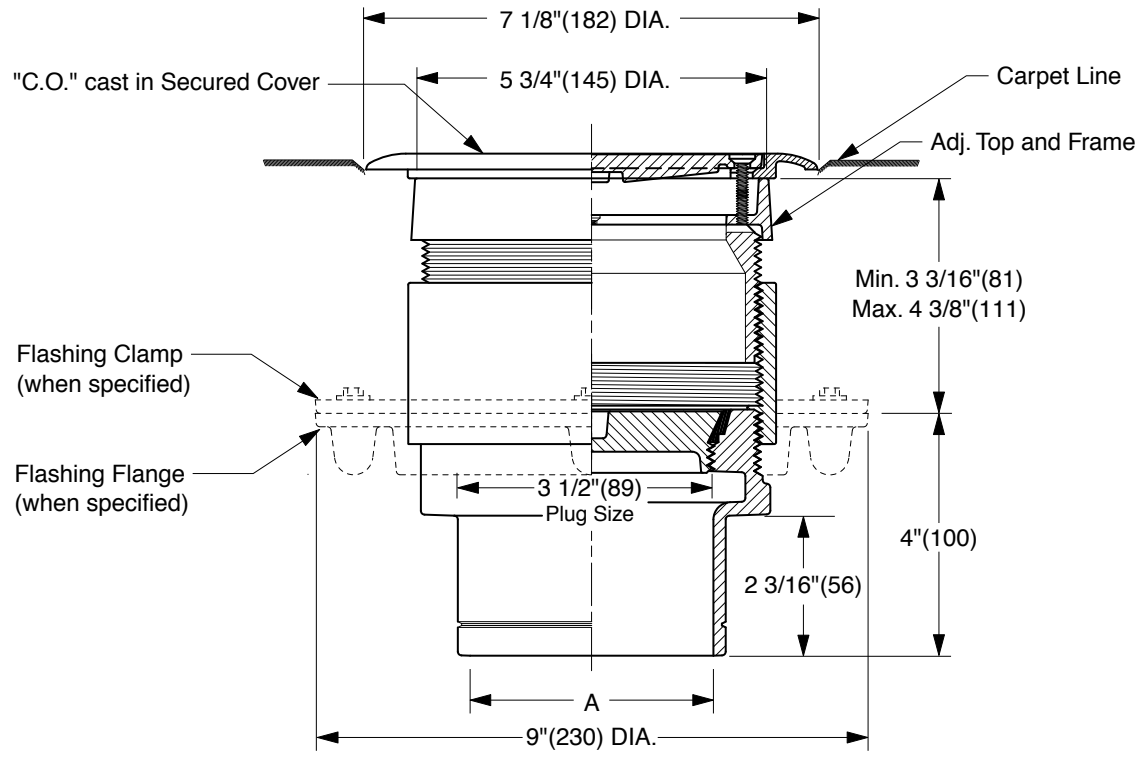


FLOOR CLEANOUTS WITH "TWIS-TO-FLOOR®" ADJUSTABLE TOPS AND CARPET CLAMPING FRAME

ROUND NICKEL BRONZE TOP

FUNCTION: For use in carpeted floors bearing foot and medium load wheeled traffic. Allows for easy carpet level adjustment.



TWIS-TO-FLOOR® ADJUSTMENT

NO-HUB OUTLET

"A" (Pipe Size) = 02(50), 03(75), 04(100) or 05(125)

- | | | |
|--------------------------|--|---|
| <input type="checkbox"/> | Fig. 4020S (-X).....Gasket Seal - ABS Plug | (Twis-to-Floor® design shown with gasketed plug.) |
| <input type="checkbox"/> | Fig. 4021S (-X).....Gasket Seal - Bronze Plug | |
| <input type="checkbox"/> | Fig. 4023S (-X).....Taper Thread - Bronze Plug | |
| <input type="checkbox"/> | Fig. 4024S (-X).....Taper Thread - ABS Plug | |

REGULARLY FURNISHED:

Duco Cast Iron Cleanout with Round Adjustable Scoriated Secured Nickel Bronze Top and Carpet Clamping Frame. Closure Plug Type as Indicated By Figure Number Selected.

VARIATIONS:

- | | |
|--------------------------|---------------------------------|
| <input type="checkbox"/> | Flashing Flange -F |
| <input type="checkbox"/> | Flange with Flashing Clamp -F-C |
| <input type="checkbox"/> | Vandal Proof Top -U |
| <input type="checkbox"/> | Wide Flange (DX) |

OPTIONAL MATERIALS:

- | | |
|--------------------------|-------------------------|
| <input type="checkbox"/> | Galvanized Cast Iron -G |
| <input type="checkbox"/> | Polished Bronze Top -PB |

NOTE: Dimensions shown in parentheses are in millimeters.

DRAWING NUMBER S4020 (-X)
 SIZE A
 SCALE: NONE
 DATE: 04/13/89
 APPROVED BY: TD
 CHECKED BY: CR
 DRAWN BY: EMB
4020 (-X) SERIES
 DIMENSIONS ARE SUBJECT TO MANUFACTURERS TOLERANCE AND CHANGE WITHOUT NOTICE

REV.	DATE	DESCRIPTION	BY	CKD. BY	WEIGHT POUNDS	VOLUME CUBIC FEET	FIGURE NUMBER
D C B	07/26/02 05/03/01 01/17/01	Corrected Clamp & Flange view Edited Outlet Text New design	JJ JJ JJ	CL CL BS			4020 (-X) SERIES

DRAWING NUMBER
S4020(-X)BS

SIZE
A

SCALE:
NONE

DATE:
7-25-06

APPROVED BY:
CEL

CHECKED BY:
CL

DRAWN BY:
TBW

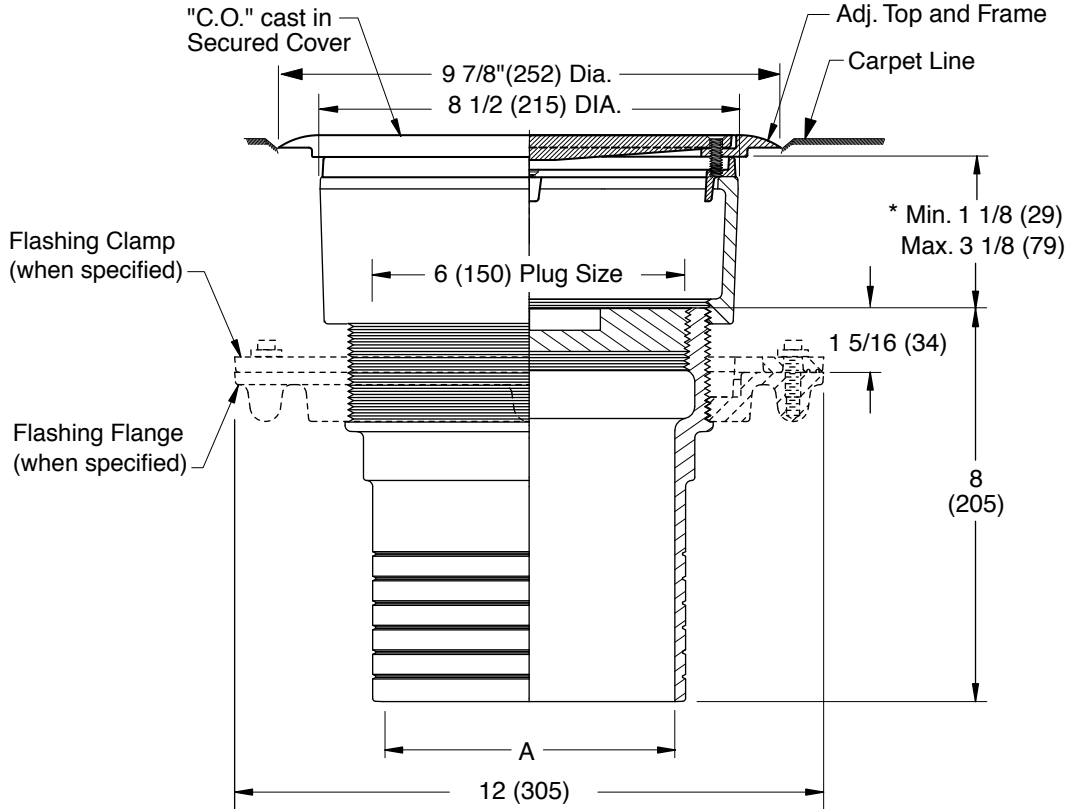
4023 (-X)

DIMENSIONS ARE SUBJECT TO MANUFACTURERS TOLERANCE AND CHANGE WITHOUT NOTICE

FLOOR CLEANOUTS WITH "TWIS-TO-FLOOR®" ADJUSTABLE TOPS AND CARPET CLAMPING FRAME

ROUND NICKEL BRONZE TOP

FUNCTION: For use in carpeted floors bearing foot and medium load wheeled traffic. Allows for easy carpet level adjustment.



SPIGOT OUTLET▲
 "A" (Pipe Size) = 06(150) & 08(200)

▲ Sized for Service Weight and/or NO-HUB.
 * When Flange-F is specified Min. 1 1/8 (29) becomes 1 5/8 (41)

"TWIS-TO-FLOOR®" ADJUSTMENT SPIGOT OUTLET▲

Fig. 4023S (-X).....Taper Thread - Bronze Plug

REGULARLY FURNISHED:
 Duco Cast Iron Cleanout with Taper Thread Bronze Plug and Round Adjustable Scoriated Secured Nickel Bronze Top and Carpet Clamping Frame.

VARIATIONS:

- Flashing Flange -F
- Flange with Flashing Clamp -F-C
- Vandal Proof Top -U

OPTIONAL MATERIALS:

- Galvanized Cast Iron -G
- Polished Bronze Top -PB

NOTE: Dimensions shown in parentheses are in millimeters.

REV.	DATE	DESCRIPTION	BY	CKD. BY

WEIGHT POUNDS	VOLUME CUBIC FEET

FIGURE NUMBER
4023 (-X)