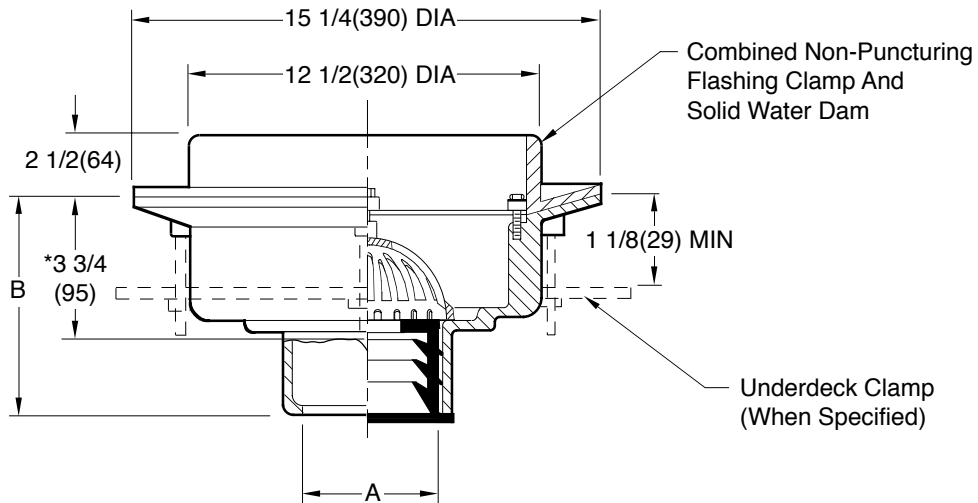


## ROOF-CEPTOR® INDIRECT WASTE DRAINS

### 12 1/2"(320) TOP - MEDIUM DEPTH RECEPTORS

**FUNCTION:** Recommended for use in roof areas to receive waste water from air conditioning units, cooling towers and other mechanical equipment installed on the roof. The solid water dam prevents storm water from entering the waste line. The large dome bottom strainer provides ample drainage and prevents entry of debris.



- Fig. 3980C . . . CAULK OUTLET
- Fig. 3980Y . . . NO-HUB OUTLET
- Fig. 3980T . . . THREADED OUTLET

\*This Dimension to Internal Stop of Speedi-Set Gasket

recommended deck openings:

with suffix -R	17"(430) Dia
less suffix -R	14"(355) Dia

<b>A SIZE</b>	02 (50)	03 (75)	04 (100)	05 (125)	06 (150)
<b>B</b>	5(125) for Caulk, NO-HUB and Speedi-Set. 3 3/4(95) for Threaded				

**REGULARLY FURNISHED:**

Duco Cast Iron Receptor with Solid Water Dam and Cast Iron Dome Bottom Strainer

**VARIATIONS:**

- Extension -E
- L Speedi-Set Service Weight  
02(50), 03(75) & 04"(100) sizes only
- LXH Speedi-Set Extra Heavy  
02(50), 03(75) & 04"(100) sizes only
- Roof Sump Receiver -R
- Underdeck Clamp -UDC
- Flat Grate -FG
- Vandal Proof -U

**OPTIONAL MATERIALS:**

- All Galvanized -G

**NOTE:** Dimensions shown in parentheses are in millimeters.

3980

FIGURE NUMBER	E D C B	11-8-21 8-6-21 04/22/04 8-27-96	Added -FG and -U to Variations Added Threaded Outlet Option Added UDC to Variations Added Millimeters	KK KK JJ EMB	JT CL CL BS	WEIGHT POUNDS	VOLUME CUBIC FEET	FIGURE NUMBER  <b>3980</b>
REV.		DATE	DESCRIPTION	BY	CKD. BY			

DRAWING NUMBER S3980  
 SIZE A  
 SCALE: NONE  
 DATE: 9-19-85  
 APPROVED BY: SJM  
 CHECKED BY: JD  
 DRAWN BY: PJ  
 DIMENSIONS ARE SUBJECT TO MANUFACTURERS TOLERANCE AND CHANGE WITHOUT NOTICE  
 WE CAN ASSUME NO RESPONSIBILITY FOR USE OF SUPERSEDED OR VOID DATA