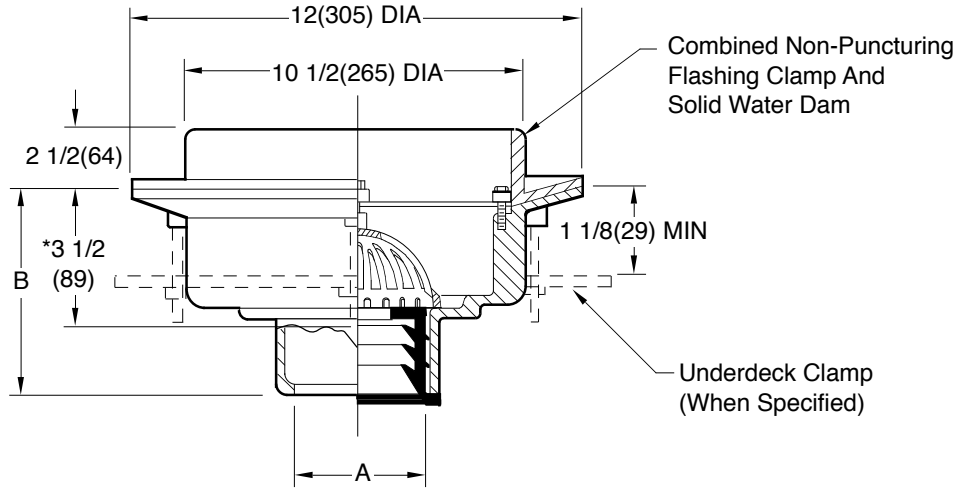


# ROOF-CEPTOR® INDIRECT WASTE DRAINS

## 10 1/2" (265) TOP - MEDIUM DEPTH RECEPTORS

**FUNCTION:** Recommended for use in roof areas to receive waste water from air conditioning units, cooling towers and other mechanical equipment installed on the roof. The solid water dam prevents storm water from entering the waste line. The large dome bottom strainer provides ample drainage and prevents entry of debris.



- Fig. 3970C . . . CAULK OUTLET
- Fig. 3970Y . . . NO-HUB OUTLET
- Fig. 3970T . . . THREADED OUTLET

\*This Dimension to Internal Stop of Speedi-Set Gasket

recommended deck openings:  
with suffix -R - 13"(330)  
less suffix -R - 11"(280)

<b>A SIZE</b>	<b>02 (50)</b>	<b>03 (75)</b>	<b>04 (100)</b>	<b>05 (125)</b>	<b>06 (150)</b>
<b>B</b>	6(150) for Caulk, NO-HUB and Speedi-Set. 4 3/4(120) for Threaded				

**REGULARLY FURNISHED:**

Duco Cast Iron Receptor with Solid Water Dam and Secured Cast Iron Dome Bottom Strainer.

**VARIATIONS:**

- Extension -E
- L Speedi-Set Service Weight  
02(50), 03(75) & 04"(100) sizes only
- LXH Speedi-Set Extra Heavy  
02(50), 03(75) & 04"(100) sizes only
- Roof Sump Receiver -R
- Underdeck Clamp-UDC

**OPTIONAL MATERIALS:**

- All Galvanized -G

DRAWING NUMBER S9970  
SIZE A  
SCALE: NONE  
DATE: 9-19-85  
APPROVED BY: SJM  
CHECKED BY: JD  
DRAWN BY: PJ  
FIGURE NUMBER 3970

WE CAN ASSUME NO RESPONSIBILITY FOR USE OF SUPERSEDED OR VOID DATA  
DIMENSIONS ARE SUBJECT TO MANUFACTURERS TOLERANCE AND CHANGE WITHOUT NOTICE

REV.	DATE	DESCRIPTION	BY	CKD. BY	WEIGHT POUNDS	VOLUME CUBIC FEET	<b>FIGURE NUMBER</b> <b>3970</b>