

E

**SMITH® JAY R. SMITH MFG. CO.®**  
 MEMBER OF MORRIS GROUP INTERNATIONAL  
 POST OFFICE BOX 3237  
 MONTGOMERY, ALABAMA 36109-0237 (USA)  
 TEL: 334-277-8520 FAX: 888-377-7818 www.jrsmith.com



MEMBER OF:

LOCATION

DRAWING NUMBER  
S3960SIZE  
ASCALE:  
NONEDATE:  
9-19-85APPROVED BY:  
JDCHECKED BY:  
JDDRAWN BY:  
PJ

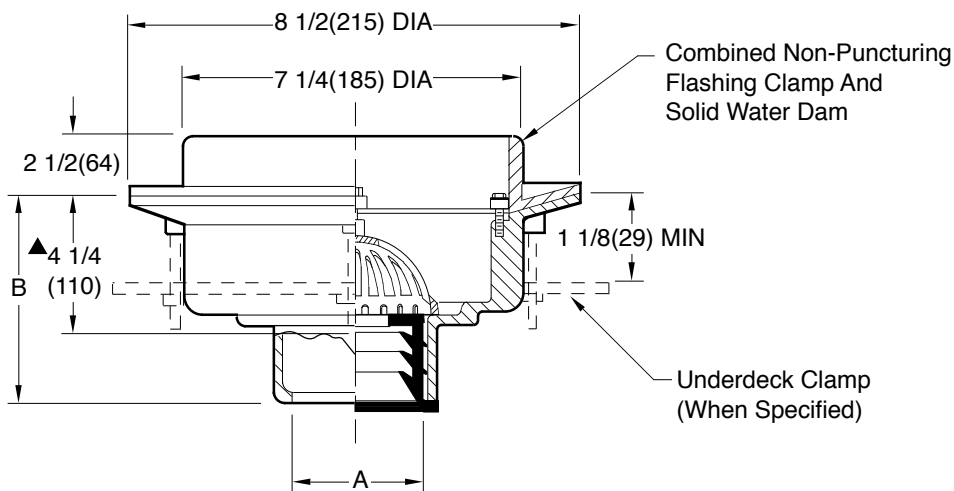
3960

WE CAN ASSUME NO RESPONSIBILITY FOR USE OF SUPERSEDED OR VOID DATA  
DIMENSIONS ARE SUBJECT TO MANUFACTURERS TOLERANCE AND CHANGE WITHOUT NOTICE

# ROOF-CEPTOR® INDIRECT WASTE DRAIN

## 7 1/4"(185) TOP - MEDIUM DEPTH RECEPTORS

**FUNCTION:** Recommended for use in roof areas to receive waste water from air conditioning units, cooling towers and other mechanical equipment installed on the roof. The solid water dam prevents storm water from entering the waste line. The large dome bottom strainer provides ample drainage and prevents entry of debris.



- Fig. 3960C ..... CAULK OUTLET
- Fig. 3960Y ..... NO-HUB OUTLET
- Fig. 3960T ..... THREADED OUTLET

▲ This Dimension to Internal Stop of Speedi-Set Gasket

recommended deck openings:  
 with suffix -R - 9"(230)  
 less suffix -R - 7 3/4"(195)

A SIZE	02 (50)	03 (75)	04 (100)
B	5 1/2(140) for Caulk, NO-HUB and Speedi-Set.		4 1/4(110) for Threaded

### REGULARLY FURNISHED:

Duco Cast Iron Receptor with Solid Water Dam and Secured Cast Iron Dome Bottom Strainer.

### VARIATIONS:

- Extension -E
- L Speedi-Set Service Weight
- LXH Speedi-Set Extra Heavy
- Roof Sump Receiver -R
- Underdeck Clamp -UDC

### OPTIONAL MATERIALS:

- All Galvanized -G

**NOTE:** Dimensions shown in parentheses are in millimeters.

E 8-12-21  
 D 10-4-18  
 C 04/22/04  
 B 8-27-96

Removed "vandal proof"  
 Rev. Dim., Var., Added Note  
 Added UDC to Variations  
 Added Millimeters

KK  
 TBW  
 JJ  
 EMB

CL  
 CL  
 CL  
 BS

WEIGHT  
 POUNDS

VOLUME  
 CUBIC FEET

FIGURE NUMBER

**3960**

REV. DATE DESCRIPTION BY CKD. BY



**WARNING:** Cancer and Reproductive Harm - www.P65Warnings.ca.gov