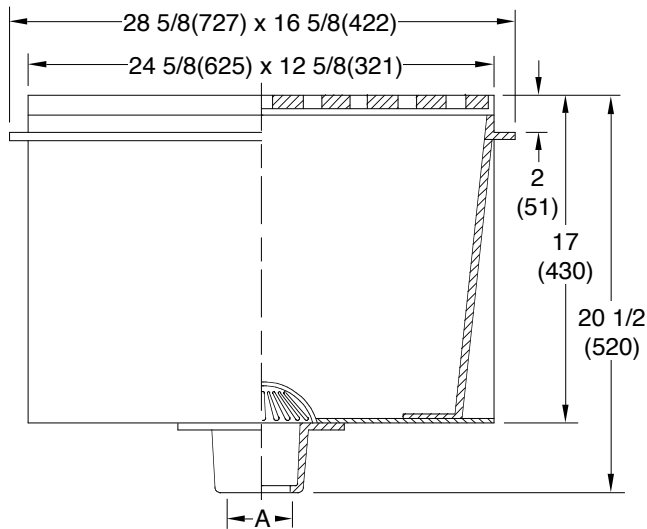


SANI-CEPTOR® ACID RESISTANT COATED FLOOR & INDIRECT WASTE DRAINS

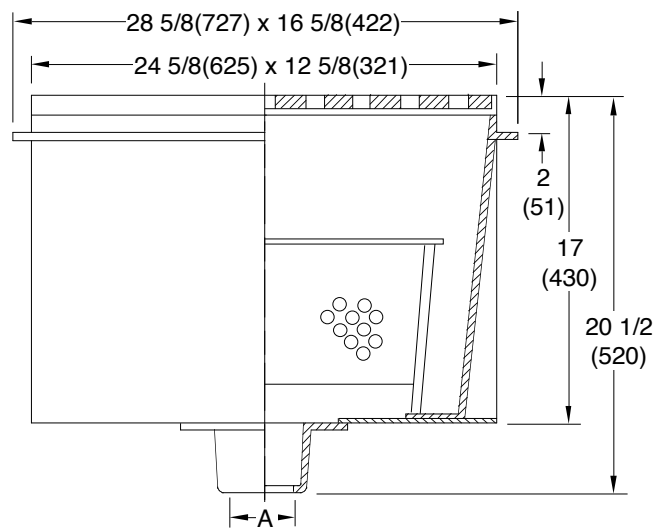
RECTANGULAR A.R. COATED NON-TRAFFIC TOP 24 (610) x 12 (305) TOP-EXTRA LARGE DEEP RECEPTORS

FUNCTION: Used in kitchens, hospitals, food markets, restaurants, schools and all types of food handling areas not subject to foot or other traffic where the ultimate in sanitation is desirable and a large capacity receptor is required. Rectangular top is ideal for use under counters and along walls.

Free Area
 125 SQ IN
 (807) SQ CM

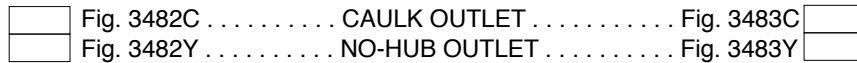


WITH DOME BOTTOM STRAINER



WITH SEDIMENT BUCKET

A (Pipe Size) = 02(50), 03(75), 04(100), 05(125) or 06(150)



REGULARLY FURNISHED:

Fabricated Steel Flanged Receptor with Acid Resistant Coated Interior with Loose Set Acid Resistant Coated Grates, Aluminum Dome Bottom Strainer or Stainless Steel Sediment Bucket as Indicated By Figure Number.

VARIATIONS:

- Flashing Clamp -C
- Acid Resistant Coated Flat Bottom Strainer -FBS
- Acid Resistant Coated 1/2 Grate (Suffix -12)
- S.S. Mesh Lined Bucket -BS

OPTIONAL MATERIALS:

- All Galvanized -G
- All Duco Coated Receptor -CI

NOTE: This grate is not recommended for any type of traffic including pedestrian traffic.

NOTE: Dimensions shown in parentheses are in millimeters.

DRAWING NUMBER S3482
 SIZE A
 SCALE: NONE
 DATE: 5-15-89
 APPROVED BY: SJM
 CHECKED BY: SB
 DRAWN BY: EMB
3482, 3483

WE CAN ASSUME NO RESPONSIBILITY FOR USE OF SUPERSEDED OR VOID DATA
 DIMENSIONS ARE SUBJECT TO MANUFACTURERS TOLERANCE AND CHANGE WITHOUT NOTICE

M	1-28-22	Revised Variations	KK	CL	WEIGHT POUNDS	VOLUME CUBIC FEET	FIGURE NUMBER
L	01/20/11	Updated Logo	JJ	TW			
K	2-21-08	Revised Opt. Materials	RN	CL	3482, 3483		
REV.	DATE	DESCRIPTION	BY	CKD. BY			