

M

SMITH® JAY R. SMITH MFG. CO.®
 MEMBER OF MORRIS GROUP INTERNATIONAL
 POST OFFICE BOX 3237
 MONTGOMERY, ALABAMA 36109-0237 (USA)
 TEL: 334-277-8520 FAX: 334-272-7396 www.jrsmith.com



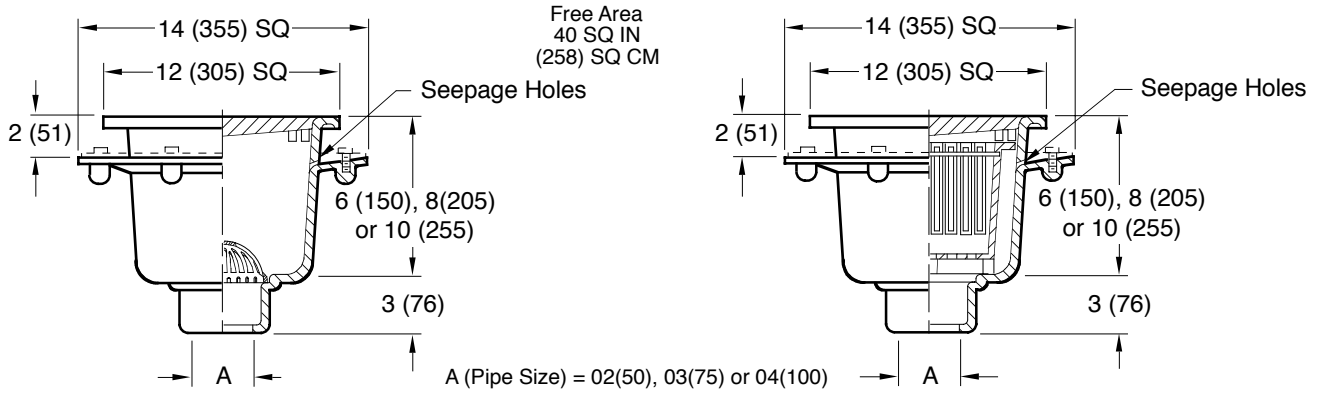
LOCATION

SANI-CEPTOR® ACID RESISTANT COATED FLOOR & INDIRECT WASTE DRAINS

A.R. COATED NON-TRAFFIC TOPS

12" (305) SQUARE TOP - MEDIUM, DEEP, EXTRA DEEP RECEPTORS

FUNCTION: Used in kitchens, hospitals, food markets, restaurants, schools and all types of food handling areas not subject to foot or other traffic. The deeper receptors are particularly useful for indirect waste applications or for handling a large volume of waste water.



WITH DOME BOTTOM STRAINER			WITH SEDIMENT BUCKET		
6" (150) deep	8" (205) deep	10" (255) deep	6" (150) deep	8" (205) deep	10" (255) deep
Fig. ... <input type="checkbox"/> 3420C ...	<input type="checkbox"/> 3430C ...	<input type="checkbox"/> 3440C ...	Fig. ... <input type="checkbox"/> 3421C ...	<input type="checkbox"/> 3431C ...	<input type="checkbox"/> 3441C ...
Fig. ... <input type="checkbox"/> 3420Y ...	<input type="checkbox"/> 3430Y ...	<input type="checkbox"/> 3440Y ...	Fig. ... <input type="checkbox"/> 3421Y ...	<input type="checkbox"/> 3431Y ...	<input type="checkbox"/> 3441Y ...

FEATURES, OPTIONS & ORDERING INFORMATION

REGULARLY FURNISHED: Cast Iron Flanged Receptor with Seepage Holes, Acid Resistant Coated Interior, and Loose Set Acid Resistant Coated Cast Iron Grate. Aluminum Dome Bottom Strainer or White ABS Sediment Bucket as Indicated by Figure Number.

- VARIATIONS:**
- Aluminum Flat Bottom Strainer -FBS
 - Flashing Clamp -C
 - Less Flange (Specify Fig. 3435, 3436, only with Caulk Outlet only)
 - Polished Aluminum Dome Bottom Strainer -PDBS
 - L Speedi-Set Service Weight
 - LXH Speedi-Set Extra Heavy
 - S.S. Mesh Lined Bucket -BS

- OPTIONAL MATERIALS:**
- All Duco Cast Iron Receptor and Grate -CI
 - All Galvanized Receptor and Grate -G

NOTE: This grate is not recommended for any type of traffic including pedestrian traffic.
NOTE: Dimensions shown in parentheses are in millimeters.

OPTIONAL TOP GRATES AND COVERS FOR INDIRECT WASTE APPLICATIONS

SUFFIX NUMBER	DESCRIPTION
<input type="checkbox"/> -10	Less A.R.C. Grate
<input type="checkbox"/> -12	With A.R.C. 1/2 Grate
<input type="checkbox"/> -13	With A.R.C. 3/4 Grate
<input type="checkbox"/> -14	With A.R.C. Grate with 2 1/2" (64) DIA Center Hole
<input type="checkbox"/> -15	With NB Rim and Aluminum Recessed Grate
<input type="checkbox"/> -21	With A.R.C. Grate and 4" (100) DIA A.R.C. Funnel
<input type="checkbox"/> -22	With A.R.C. Grate and 6" (150) DIA A.R.C. Funnel
<input type="checkbox"/> -25	With A.R.C. Grate and 8 1/4(210) x 3 1/4(83) x 4 1/2"(115) High Oval A.R.C. Funnel
<input type="checkbox"/> -26	With A.R.C. Grate and 6(150) x 2 1/2(64) x 1"(25) High Oval A.R.C. Funnel
<input type="checkbox"/> -41	With A.R.C. Solid Cover
<input type="checkbox"/> -42	With A.R.C. 1/2 Solid Cover
<input type="checkbox"/> -43	With A.R.C. 3/4 Solid Cover
<input type="checkbox"/> -44	With A.R.C. Solid Cover with 2 1/2" (64) DIA Center Hole

M	1-28-22	Revised Variations	KK	CL	WEIGHT	VOLUME	FIGURE NUMBER
L	3-22-19	Revised Variations, Removed *	MW	CL	POUNDS	CUBIC FEET	3420-3441 Series
K	8-4-14	Revised Variations	TBW	CL			
J	6-10-14	Revised Reg. Furn., Var.	TBW	TWK			
REV.	DATE	DESCRIPTION	BY	CKD. BY			

DRAWING NUMBER S3420
 SIZE A
 SCALE: NONE
 DATE: 9-19-85
 APPROVED BY: JD
 CHECKED BY: JD
 DRAWN BY: CM
 3420-3441 Series
 DIMENSIONS ARE SUBJECT TO MANUFACTURERS TOLERANCE AND CHANGE WITHOUT NOTICE
 WE CAN ASSUME NO RESPONSIBILITY FOR USE OF SUPERSEDED OR VOID DATA