

K



**JAY R. SMITH MFG. CO.®**  
 MEMBER OF MORRIS GROUP INTERNATIONAL  
 POST OFFICE BOX 3237  
 MONTGOMERY, ALABAMA 36109-0237 (USA)  
 TEL: 334-277-8520 FAX: 334-272-7396 www.jrsmith.com



LOCATION

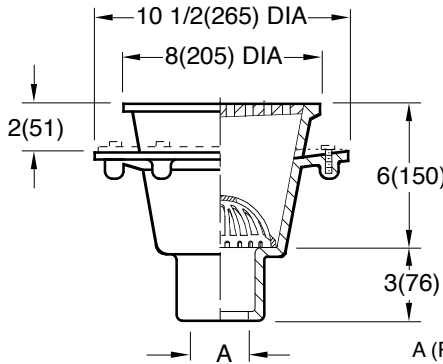
# SANI-CEPTOR® ACID RESISTANT COATED FLOOR & INDIRECT WASTE DRAINS

## A.R. COATED NON-TRAFFIC TOPS

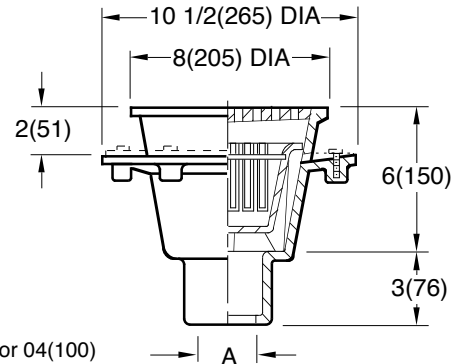
### 8" (205) ROUND TOP - MEDIUM RECEPTORS

**FUNCTION:** Used in kitchens, hospitals, food markets, restaurants, schools and all types of food handling areas not subject to foot or other traffic where the ultimate in sanitation is desirable and a medium capacity receptor is required.

Free Area  
 11 SQ IN  
 (71) SQ CM



WITH DOME BOTTOM STRAINER



WITH SEDIMENT BUCKET

- Fig. 3413C ..... CAULK OUTLET ..... Fig. 3414C
- Fig. 3413Y ..... NO-HUB OUTLET ..... Fig. 3414Y

**NOTE:** When NO-HUB outlet is specified a caulk outlet w/9502 Speedi-Seal gasket will be supplied.

### FEATURES, OPTIONS & ORDERING INFORMATION

**REGULARLY FURNISHED:** Cast Iron Flanged Receptor with Seepage Holes, Acid Resistant Coated Interior, and Loose Set Acid Resistant Coated Cast Iron Grate. Aluminum Dome Bottom Strainer or Sediment Bucket as Indicated by Figure Number.

**VARIATIONS:**

- Aluminum Flat Bottom Strainer -FBS
- Flashing Clamp -C
- Less Flange (Specify Fig. 3418, 3419)
- Polished Aluminum Dome Bottom Strainer -PDBS
- L Speedi-Set Service Weight
- LXH Speedi-Set Extra Heavy

**OPTIONAL MATERIALS:**

- All Duco Cast Iron Receptor and Grate -CI
- All Galvanized Receptor and Grate -G

**NOTE:** This grate is not recommended for any type of traffic including pedestrian traffic.

**NOTE:** Dimensions shown in parentheses are in millimeters.

### OPTIONAL TOP GRATES AND COVERS FOR INDIRECT WASTE APPLICATIONS

SUFFIX NUMBER	DESCRIPTION
<input type="checkbox"/> -10	Less A.R.C. Grate
<input type="checkbox"/> -12	With A.R.C. 1/2 Grate
<input type="checkbox"/> -13	With A.R.C. 3/4 Grate
<input type="checkbox"/> -14	With A.R.C. Grate with 2 1/2"(64) DIA Center Hole
<input type="checkbox"/> -15	With NB Rim and Aluminum Recessed Grate
<input type="checkbox"/> -21	With A.R.C. Grate and 4"(100) DIA A.R.C. Funnel
<input type="checkbox"/> -22	With A.R.C. Grate and 6"(150) DIA A.R.C. Funnel
<input type="checkbox"/> -25	With A.R.C. Grate and 8 1/4(210) x 3 1/4(83) x 4 1/2"(115) High Oval A.R.C. Funnel
<input type="checkbox"/> -26	With A.R.C. Grate and 6(150) x 2 1/2(64) x 1"(25) High Oval A.R.C. Funnel
<input type="checkbox"/> -41	With A.R.C. Solid Cover
<input type="checkbox"/> -42	With A.R.C. 1/2 Solid Cover
<input type="checkbox"/> -44	With A.R.C. Solid Cover with 2 1/2"(64) DIA Center Hole

DRAWING NUMBER S3413  
 SIZE A  
 SCALE: NONE  
 DATE: 3-11-85  
 APPROVED BY: JD  
 CHECKED BY: CR  
 DRAWN BY: CR  
**3413, 3414**

WE CAN ASSUME NO RESPONSIBILITY FOR USE OF SUPERSEDED OR VOID DATA  
 DIMENSIONS ARE SUBJECT TO MANUFACTURERS TOLERANCE AND CHANGE WITHOUT NOTICE

K	6-6-12	Added Note Updated Logo Added Note	TBW	CL	WEIGHT POUNDS	VOLUME CUBIC FEET	FIGURE NUMBER <b>3413, 3414</b>
J	01/20/11		JJ	TW			
H	12-03-98		CMD	DG			
REV.	DATE	DESCRIPTION	BY	CKD. BY			