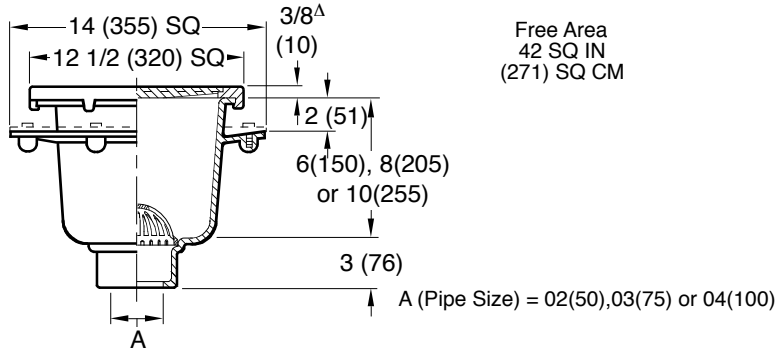


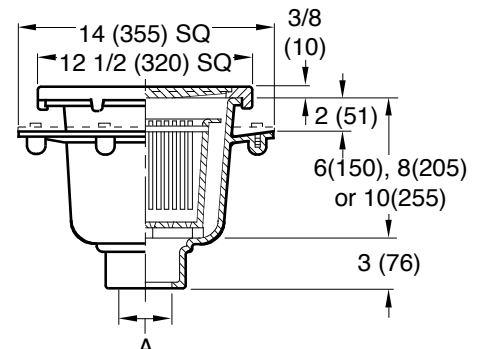
# SANI-CEPTOR® ACID RESISTANT COATED FLOOR & INDIRECT WASTE DRAINS

## SQUARE NICKEL BRONZE TOP 12 1/2" (320) TOP - MEDIUM, DEEP & EXTRA DEEP RECEPTORS

**FUNCTION:** Used in kitchens, hospitals, food markets, restaurants, schools and all types of food handling areas where the ultimate in sanitation is desirable and a medium capacity receptor is required.



WITH DOME BOTTOM STRAINER



WITH SEDIMENT BUCKET

Free Area 42 SQ IN (271) SQ CM

6"(150) deep 8"(205) deep 10"(255) deep  
 Fig. ...  3140C ...  3150C ...  3160C ... CAULK OUTLET ... Fig. ...  3141C ...  3151C ...  3161C  
 Fig. ...  3140Y ...  3150Y ...  3160Y ... NO-HUB OUTLET ... Fig. ...  3141Y ...  3151Y ...  3161Y

### FEATURES, OPTIONS & ORDERING INFORMATION

**REGULARLY FURNISHED:** Cast Iron Flanged Receptor with Seepage Holes, Acid Resistant Coated Interior, Nickel Bronze Rim and Secured Grate. Aluminum Dome Bottom Strainer or White ABS Sediment Bucket as Indicated by Figure Number.

**OPTIONAL MATERIALS:**

- All Duco Cast Iron Receptor -CI
- All Galvanized Receptor -G

**VARIATIONS:**

- Aluminum Flat Bottom Strainer -FBS
- Flashing Clamp -C
- Less Flange (Fig. 3155, 3156 with caulk outlet only)
- Polished Aluminum Dome Bottom Strainer -PDBS
- Vandal Proof Screws -U
- L Speedi-Set Service Weight 02(50), 03(75) & 04"(100) sizes only
- LXH Speedi-Set Extra Heavy 02(50), 03(75) & 04"(100) sizes only
- S.S. Mesh Lined Bucket -BS

**SUFFIX NUMBER**

SQUARE RIM	DESCRIPTION
<input type="checkbox"/> -10	Less NB Rim and Grate
<input type="checkbox"/> -11	Less Grate w/NB Rim
<input type="checkbox"/> -12	With NB Rim and 1/2 Grate
<input type="checkbox"/> -13	With NB Rim and 3/4 Grate
<input type="checkbox"/> -14	With NB Rim and Grate with 2 1/2"(64) SQ Center Hole
<input type="checkbox"/> -15	With NB Rim and Aluminum Recessed Grate
<input type="checkbox"/> -19	With NB Rim and Hinged Grate
<input type="checkbox"/> -21	With NB Rim and Grate with 4"(100) DIA NB Funnel
<input type="checkbox"/> -22	With NB Rim and Grate with 6"(150) DIA NB Funnel
<input type="checkbox"/> -25	With NB Rim and Grate with 8 1/4(210) x 3 1/4(83) x 4 1/2"(115) High Oval NB Funnel
<input type="checkbox"/> -26	With NB Rim and Grate with 6(150) x 2 1/2(64) x 1"(25) High Oval NB Funnel
<input type="checkbox"/> -41	With NB Rim and Solid Cover
<input type="checkbox"/> -42	With NB Rim and 1/2 Solid Cover
<input type="checkbox"/> -43	With NB Rim and 3/4 Solid Cover
<input type="checkbox"/> -44	With NB Rim and Solid Cover with 2 1/2"(64) DIA Center Hole
<input type="checkbox"/> -49	With NB Rim and Stainless Steel Grate
<input type="checkbox"/> -69	With NB Rim and XH Stainless Steel Secured Grate [ <sup>A</sup> 3/8"(10) dimension becomes 1"(25)]

**NOTE:** Dimensions shown in parentheses are in millimeters.

P  
 DRAWING NUMBER S3140  
 SIZE A  
 SCALE: NONE  
 DATE: 9-19-85  
 APPROVED BY: SJM  
 CHECKED BY: JD  
 DRAWN BY: PJ  
**3140-3161 Series**  
 DIMENSIONS ARE SUBJECT TO MANUFACTURERS TOLERANCE AND CHANGE WITHOUT NOTICE  
 WE CAN ASSUME NO RESPONSIBILITY FOR USE OF SUPERSEDED OR VOID DATA

REV.	DATE	DESCRIPTION	BY	CKD. BY	WEIGHT POUNDS	VOLUME CUBIC FEET	FIGURE NUMBER <b>3140-3161 Series</b>