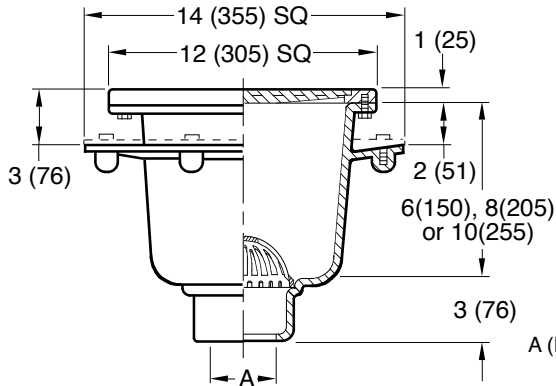


SANI-CEPTOR® ACID RESISTANT COATED FLOOR & INDIRECT WASTE DRAINS

SQUARE NICKEL BRONZE TOP

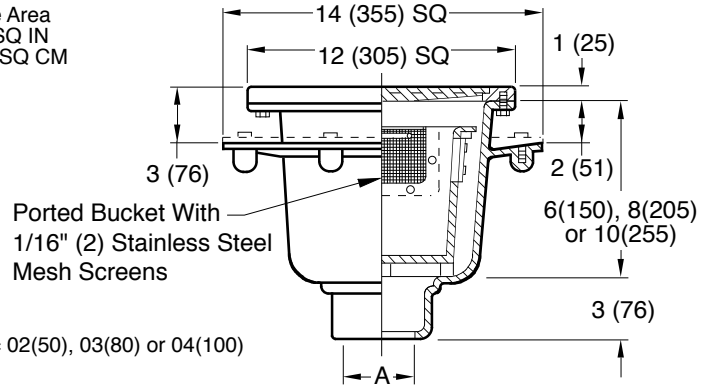
12" (305) TOP - DAIRY DRAINS FOR QUARRY TILE FLOORS

FUNCTION: Used in creameries, dairies, breweries and other locations which utilize a quarry tile floor requiring a 3" (76) flange to top dimension. The ported sediment bucket catches all solids yet provides ample drainage.



WITH DOME BOTTOM STRAINER

Free Area
42 SQ IN
(271) SQ CM



WITH SEDIMENT BUCKET

6"(150) deep 8"(205) deep 10"(255) deep
 Fig... 3110C ... 3120C ... 3130C ... CAULK OUTLET ... Fig... 3111C ... 3121C ... 3131C
 Fig... 3110Y ... 3120Y ... 3130Y ... NO-HUB OUTLET ... Fig... 3111Y ... 3121Y ... 3131Y

FEATURES, OPTIONS & ORDERING INFORMATION

REGULARLY FURNISHED: Cast Iron Flanged Receptor with Seepage Holes, Acid Resistant Coated Interior, Nickel Bronze Rim and Secured Grate. Aluminum Dome Bottom Strainer or Sediment Bucket as Indicated by Figure Number.

OPTIONAL MATERIALS:

- All Duco Cast Iron Receptor -CI
- All Galvanized Receptor -G

NOTE: Dimensions shown in parentheses are in millimeters.

VARIATIONS:

- Aluminum Flat Bottom Strainer -FBS
- Aluminum Slotted Sediment Bucket -ASB (in place of ported bucket)
- Flashing Clamp -C
- Less Flange (Specify Fig. 3125,3126 only with Caulk Outlet only)
- Polished Aluminum Dome Bottom Strainer -PDBS
- Solid Bottom Ported Sediment Bucket with Stainless Steel Mesh Screens -SBP
- Vandal Proof Grate -U
- L Speedi-set Service Weight 02(50), 03(80) & 04"(100) sizes only
- LXH Speedi-Set Extra Heavy 02(50), 03(80) & 04"(100) sizes only

SUFFIX NUMBER SQUARE RIM

SUFFIX NUMBER	DESCRIPTION
-10	Less NB Rim and Grate
-11	Less Grate w/NB Rim
-12	With NB Rim and 1/2 Grate
-13	With NB Rim and 3/4 Grate
-14	With NB Rim and Grate with 2 1/2" (64) SQ Center Hole
-15	With NB Rim and Aluminum Recessed Grate
-19	With NB Rim and Hinged Grate
-21	With NB Rim and Grate with 4" (100) DIA NB Funnel
-22	With NB Rim and Grate with 6" (150) DIA NB Funnel
-25	With NB Rim and Grate with 8 1/4(210) x 3 1/4(83) x 4 1/2"(115) High Oval NB Funnel
-26	With NB Rim and Grate with 6(150) x 2 1/2(64) x 1"(25) High Oval NB Funnel
-41	With NB Rim and Solid Cover
-42	With NB Rim and 1/2 Solid Cover
-43	With NB Rim and 3/4 Solid Cover
-44	With NB Rim and Solid Cover with 2 1/2" (64) DIA Center Hole
-69	With NB Rim and XH Stainless Steel Secured Grate

K	3-22-19	Revised Variations	MW	CL	WEIGHT POUNDS	VOLUME CUBIC FEET	FIGURE NUMBER 3110-3131 SERIES
J	01/20/11	Updated Logo	JJ	TW			
H	04/10/02	Rev. S.S. Mesh Size	JJ	CL			
G	03/14/02	Corrected Dim. Location	JJ	AM			
REV.	DATE	DESCRIPTION	BY	CKD. BY			

DRAWING NUMBER S3110
 SIZE A
 SCALE: NONE
 DATE: 9-19-85
 APPROVED BY: SJM
 CHECKED BY: JD
 DRAWN BY: PJ
3110-3131 SERIES
 DIMENSIONS ARE SUBJECT TO MANUFACTURERS TOLERANCE AND CHANGE WITHOUT NOTICE
 WE CAN ASSUME NO RESPONSIBILITY FOR USE OF SUPERSEDED OR VOID DATA