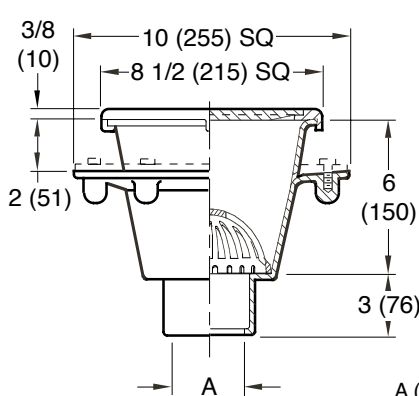


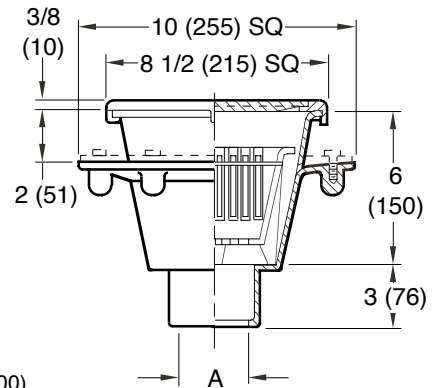
SANI-CEPTOR® ACID RESISTANT COATED FLOOR & INDIRECT WASTE DRAINS

SQUARE NICKEL BRONZE TOP 8 1/2" (215) TOP - MEDIUM RECEPTORS

FUNCTION: Used in kitchens, hospitals, food markets, restaurants, schools and all types of food handling areas where the ultimate in sanitation is desirable and a medium capacity receptor is required.



Free Area
 19.43 SQ IN
 (125) SQ CM



WITH DOME BOTTOM STRAINER

WITH SEDIMENT BUCKET

A (Pipe Size) = 02(50), 03(75) or 04(100)

- Fig. 3100C CAULK OUTLET Fig. 3101C
- Fig. 3100Y NO-HUB OUTLET Fig. 3101Y

FEATURES, OPTIONS & ORDERING INFORMATION

REGULARLY FURNISHED: Cast Iron Flanged Receptor with Seepage Holes, Acid Resistant Coated Interior, Nickel Bronze Rim and Secured Grate. Aluminum Dome Bottom Strainer or White ABS Sediment Bucket as Indicated by Figure Number.

OPTIONAL MATERIALS:

- All Duco Cast Iron Receptor -CI
- All Galvanized Receptor -G

VARIATIONS:

- Aluminum Flat Bottom Strainer -FBS
- Flashing Clamp -C
- Polished Aluminum Dome Bottom Strainer -PDBS
- Vandal Proof Screws -U
- L Speedi-Set Service Weight
 02(50), 03(75) & 04"(100) sizes only
- LXH Speedi-Set Extra Heavy
 02(50), 03(75) & 04"(100) sizes only
- S.S. Mesh Lined Bucket -BS

**SUFFIX NUMBER
 SQUARE RIM**

SUFFIX NUMBER	DESCRIPTION
-10	Less NB Rim and Grate
-11	Less Grate w/NB Rim
-12	With NB Rim and 1/2 Grate
-13	With NB Rim and 3/4 Grate
-14	With NB Rim and Grate with 2 1/2" (64) SQ Center Hole
-15	With NB Rim and Aluminum Recessed Grate
-19	With NB Rim and Hinged Grate
-21	With NB Rim and Grate with 4" (100) DIA NB Funnel
-22	With NB Rim and Grate with 6" (150) DIA NB Funnel
-25	With NB Rim and Grate with 8 1/4(210) x 3 1/4(83) x 4 1/2"(115) High Oval NB Funnel
-26	With NB Rim and Grate with 6(150) x 2 1/2(64) x 1"(25) High Oval NB Funnel
-41	With NB Rim and Solid Cover
-42	With NB Rim and 1/2 Solid Cover
-43	With NB Rim and 3/4 Solid Cover
-44	With NB Rim and Solid Cover with 2 1/2" (64) DIA Center Hole

NOTE: Dimensions shown in parentheses are in millimeters.

K
 DRAWING NUMBER S3100
 SIZE A
 SCALE: NONE
 DATE: 9-19-85
 APPROVED BY: SUM
 CHECKED BY: JD
 DRAWN BY: PJ
 FIGURE NUMBER 3100, 3101

WE CAN ASSUME NO RESPONSIBILITY FOR USE OF SUPERSEDED OR VOID DATA

DIMENSIONS ARE SUBJECT TO MANUFACTURERS TOLERANCE AND CHANGE WITHOUT NOTICE

REV.	DATE	DESCRIPTION	BY	CKD. BY	WEIGHT POUNDS	VOLUME CUBIC FEET	FIGURE NUMBER
							3100, 3101