

K

**SMITH® JAY R. SMITH MFG. CO.®**  
 MEMBER OF MORRIS GROUP INTERNATIONAL  
 POST OFFICE BOX 3237  
 MONTGOMERY, ALABAMA 36109-0237 (USA)  
 TEL: 334-277-8520 FAX: 888-377-7818 www.jrsmith.com

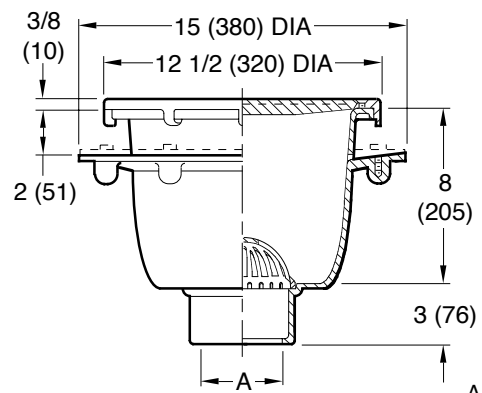
**ASPE** **PDI** **ASSE**  
 MEMBER OF:

LOCATION

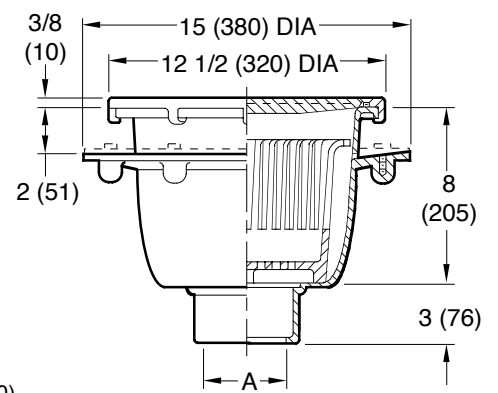
# SANI-CEPTOR® ACID RESISTANT COATED FLOOR & INDIRECT WASTE DRAINS

## ROUND NICKEL BRONZE TOP 12 1/2" (320) TOP - DEEP RECEPTORS

**FUNCTION:** Used in kitchens, hospitals, food markets, schools and all types of food handling areas where the ultimate in sanitation is desirable and a large capacity receptor is required.



Free Area  
30 SQ IN  
(194) SQ CM



WITH DOME BOTTOM STRAINER

WITH SEDIMENT BUCKET

Fig. 3060C ..... CAULK OUTLET  
 Fig. 3060Y ..... NO-HUB OUTLET

Fig. 3061C ..... CAULK OUTLET  
 Fig. 3061Y ..... NO-HUB OUTLET

A (Pipe Size) = 02(50), 03(75), 04(100)

### FEATURES, OPTIONS & ORDERING INFORMATION

**REGULARLY FURNISHED:** Cast Iron Flanged Receptor with Seepage Holes, Acid Resistant Coated Interior, Nickel Bronze Rim and Secured Grate. Aluminum Dome Bottom Strainer or Sediment Bucket as Indicated by Figure Number.

**OPTIONAL MATERIALS:**

- All Duco Cast Iron Receptor -CI
- All Galvanized Receptor -G

**NOTE:** Dimensions shown in parentheses are in millimeters.

**VARIATIONS:**

- Aluminum Flat Bottom Strainer -FBS
- Flashing Clamp -C
- Less Flange (Specify Fig. 3065, 3066)
- Polished Aluminum Dome Bottom Strainer -PDBS
- Vandal Proof Screws -U
- L Speedi-Set Service Weight  
02(50) & 03(75) sizes only
- LXH Speedi-Set Extra Heavy  
02(50) & 03(75) sizes only
- S.S. Mesh Lined Bucket -BS

**SUFFIX NUMBER  
ROUND RIM**

| SUFFIX NUMBER | DESCRIPTION   |
|---------------|---|
| -10           | Less NB Rim and Grate   |
| -11           | Less Grate w/NB Rim   |
| -12           | With NB Rim and 1/2 Grate   |
| -13           | With NB Rim and 3/4 Grate   |
| -14           | With NB Rim and Grate with 2 1/2"(64) SQ Center Hole                                |
| -15           | With NB Rim and Aluminum Recessed Grate   |
| -19           | With NB Rim and Hinged Grate  |
| -21           | With NB Rim and Grate with 4"(100) DIA NB Funnel                                    |
| -22           | With NB Rim and Grate with 6"(150) DIA NB Funnel                                    |
| -25           | With NB Rim and Grate with 8 1/4(210) x 3 1/4(83) x 4 1/2"(115) High Oval NB Funnel |
| -26           | With NB Rim and Grate with 6(150) x 2 1/2(64) x 1"(25) High Oval NB Funnel          |
| -41           | With NB Rim and Solid Cover   |
| -42           | With NB Rim and 1/2 Solid Cover   |
| -43           | With NB Rim and 3/4 Solid Cover   |
| -44           | With NB Rim and Solid Cover with 2 1/2" (64) DIA Center Hole                        |
| -51           | With Square NB Rim and Round Grate  |

DRAWING NUMBER  
S3060

SIZE  
A

SCALE:  
NONE

DATE:  
2-15-85

APPROVED BY:  
JD

CHECKED BY:  
JD

DRAWN BY:  
PJ

FIGURE NUMBER  
3060, 3061

WE CAN ASSUME NO RESPONSIBILITY FOR USE OF SUPERSEDED OR VOID DATA

DIMENSIONS ARE SUBJECT TO MANUFACTURERS TOLERANCE AND CHANGE WITHOUT NOTICE

|                  |  |  |                      |                      |                  |                      |                                    |
|------------------|--|--|----------------------|----------------------|------------------|----------------------|------------------------------------|
| K<br>J<br>H<br>G | 1-28-22<br>3/10/21<br>01/20/11<br>10/19/09 | Revised Variations<br>Changed sizes in variations<br>Updated Logo<br>Added -51 Suffix Number | KK<br>KK<br>JJ<br>JJ | CL<br>CL<br>TW<br>CL | WEIGHT<br>POUNDS | VOLUME<br>CUBIC FEET | FIGURE NUMBER<br><b>3060, 3061</b> |
| REV.             | DATE                                       | DESCRIPTION  | BY                   | CKD. BY              |                  |                      |                                    |