

# PVCEPTOR<sup>®</sup> Reservoir Dog<sup>™</sup> Sanitary Floor Sinks

## 305 Series

### PVC FLOOR SINK

TAG \_\_\_\_\_  
 \_\_\_\_\_

**Product Description:** Recommended for use in applications requiring an indirect waste receiver such as restaurants, cafeterias, supermarkets, food processing plants and dairies. Constructed of high quality PVC, this floor sink is engineered to conform to the strict codes and to provide maximum sanitary conditions. This PVC floor sink has excellent resistance to chemicals such as the acids contained in fruits, vegetables and fatty substances. The smooth, uniform interior surface is easy to clean and the drain will not chip, rust or corrode.

**Features and Benefits:**

- PVC offers excellent resistance to chemicals, will not chip, rust or corrode
- Lightweight, facilitates transportation, handling, and installation
- Smooth, uniformly contoured interior surface allows for easy cleaning
- 12 inch square PVC body
- 3 grate configurations available, full, three-quarter, and half
- The white color provides an aesthetic and hygienic appearance
- IAPMO Listed, File No. 2695
- USDA Accepted
- Load Rating: For non-traffic (non-pedestrian) area only.

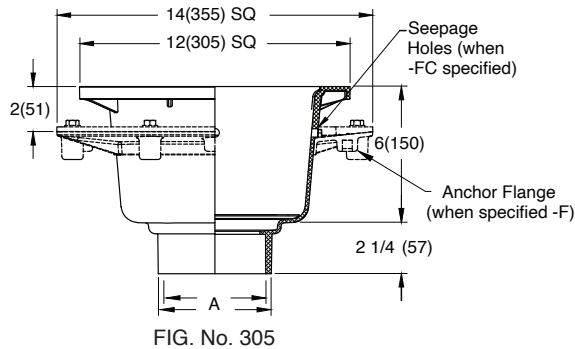


FIG. No. 305



FIG. # 305

- 305-H02x03.....HUB x SLIP OUTLET (A)
- 305-H03x04.....HUB x SLIP OUTLET (A)
- 305-H04.....HUB OUTLET (A)

**NOTES:**

1. Hub x Slip outlets fit over or inside of connecting pipe.  
 Ex: H02x03 outlet fits over 2"(50) pipe or inside of 3"(75) pipe.
2. Minimum Temperature of -13°F /25°C to a maximum temperature of 200°F/93°C. There is no distortion from these temperatures when discharging through the unit. Hot water or other liquids exceeding 200°F/93°C should not be left standing in the receptor for extended periods.

**OPTIONS:**

- Anchor Flange 305-F
- Anchor Flange with Flashing Clamp 305-FC
- Dome Bottom Strainer 305-14
- Sediment Tray 305-15

**OPTIONAL GRATES:**

- Full PVC Grate 305-10
- 1/2 PVC Grate 305-12
- 3/4 PVC Grate 305-13
- Full AR Cast Iron Grate 305-10ARCIG
- 1/2 AR Cast Iron Grate 305-12ARCIG
- 3/4 AR Cast Iron Grate 305-13ARCIG
- With Nickel Bronze Rim & Full Grate 305-10NB
- With Nickel Bronze Rim & 1/2 Grate 305-12NB
- With Nickel Bronze Rim & 3/4 Grate 305-13NB

NOTE: Dimensional data is subject to manufacturing tolerances and change without notice



A Product of:  
**JAY R. SMITH MFG. CO.<sup>®</sup>**  
 DIVISION OF SMITH INDUSTRIES, INC.  
 www.jrsmith.com



Patent No 9,834,920



**SERIES 305**  
 SPM 1013  
 05/18