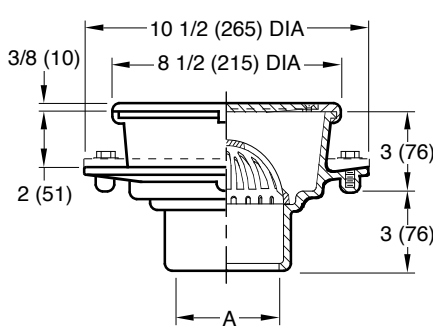


SANI-CEPTOR® ACID RESISTANT COATED FLOOR & INDIRECT WASTE DRAINS

ROUND NICKEL BRONZE TOP

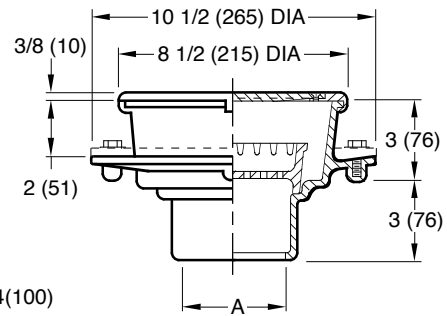
8 1/2" (215) TOP - SHALLOW RECEPTORS

FUNCTION: Used in kitchens, hospitals, food markets, restaurants, schools and all types of food handling areas where the ultimate in sanitation is desirable and a small capacity receptor is required.



WITH DOME BOTTOM STRAINER

Free Area
 17.35 SQ IN
 (112) SQ CM



WITH SEDIMENT BUCKET

Fig. 3020C CAULK OUTLET Fig. 3021C
 Fig. 3020Y NO-HUB OUTLET Fig. 3021Y

FEATURES, OPTIONS & ORDERING INFORMATION

REGULARLY FURNISHED: Cast Iron Flanged Receptor with Seepage Holes, Acid Resistant Coated Interior, Nickel Bronze Rim and Secured Grate. Aluminum Dome Bottom Strainer or Sediment Bucket as Indicated by Figure Number.

VARIATIONS:

- Aluminum Flat Bottom Strainer -FBS
- Flashing Clamp -C
- Polished Aluminum Dome Bottom Strainer-PDBS
- Vandal Proof Screws -U
- L Speedi-Set Service Weight
- LXH Speedi-Set Extra Heavy
- S.S. Mesh Lined Bucket -BS

OPTIONAL MATERIALS:

- All Duco Cast Iron Receptor -CI
- All Galvanized Receptor -G

SUFFIX NUMBER
ROUND RIM

SUFFIX NUMBER	DESCRIPTION
-10	Less NB Rim and Grate
-11	Less Grate w/NB Rim
-12	With NB Rim and 1/2 Grate
-13	With NB Rim and 3/4 Grate
-14	With NB Rim and Grate with 2 1/2"(64) SQ Center Hole
-15	With NB Rim and Aluminum Recessed Grate
-19	With NB Rim and Hinged Grate
-21	With NB Rim and Grate with 4"(100) DIA NB Funnel
-22	With NB Rim and Grate with 6"(150) DIA NB Funnel
-25	With NB Rim and Grate with 8 1/4(210) x 3 1/4(83) x 4 1/2"(115) High Oval NB Funnel
-26	With NB Rim and Grate with 6(150) x 2 1/2(64) x 1"(25) High Oval NB Funnel
-41	With NB Rim and Solid Cover
-42	With NB Rim and 1/2 Solid Cover
-43	With NB Rim and 3/4 Solid Cover
-44	With NB Rim and Solid Cover with 2 1/2"(64) DIA Center Hole

NOTE: Dimensions shown in parentheses are in millimeters.

DRAWING NUMBER
S3020

SIZE
A

SCALE:
NONE

DATE:
9-19-85

APPROVED BY:
SJM

CHECKED BY:
JD

DRAWN BY:
PJ

FIGURE NUMBER
3020, 3021

WE CAN ASSUME NO RESPONSIBILITY FOR USE OF SUPERSEDED OR VOID DATA.

DIMENSIONS ARE SUBJECT TO MANUFACTURERS TOLERANCE AND CHANGE WITHOUT NOTICE.

REV.	DATE	DESCRIPTION	BY	CKD. BY	WEIGHT POUNDS	VOLUME CUBIC FEET	FIGURE NUMBER
							3020, 3021