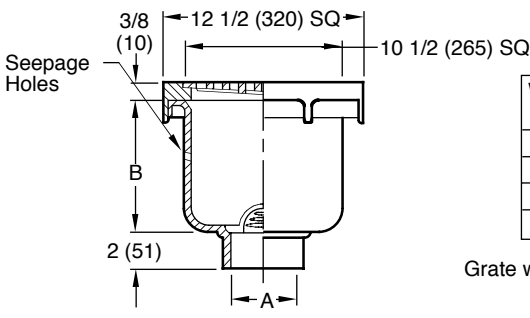


## SANI-CEPT® STAINLESS STEEL FLOOR, AREA & INDIRECT WASTE DRAINS WITH 12 1/2" (320) NICKEL BRONZE SQUARE TOPS

**FUNCTION:** Used in all locations where superior sanitation, corrosion resistance, durability and longevity are required. Essential in restaurants, kitchens and all types of food handling areas for ultimate sanitation. Ideal for breweries, dairies, creameries and similar processing plants where sanitation is paramount.



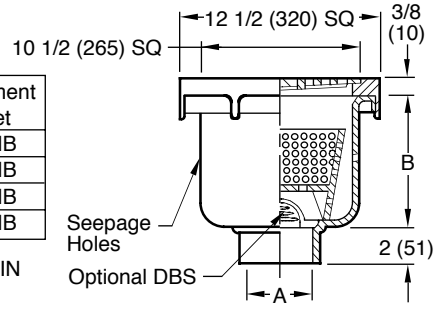
**WITH DOME BOTTOM STRAINER**

**FIGURE NUMBERS**

W/Dome Strainer	"B" DIM	Approx Wt. Lbs.	W/Sediment Bucket
3001NB	4(100)	18	3006NB
3002NB	6(150)	21	3007NB
3003NB	8(205)	24	3008NB
3004NB	10(255)	27	3009NB

Grate w/1/2" (13) holes - Free Area 42 SQ IN (271) SQ CM

A (Pipe Size) = 02(50), 03(80) or 04(100)  
 Y NO-HUB Outlet



**WITH SEDIMENT BUCKET**

### FEATURES, OPTIONS AND ORDERING INFORMATION

**REGULARLY FURNISHED:** 14 Gauge Type 304 SS Receptor Body with Seepage Control Holes, 12 1/2" (320) SQ NB Rim and Secured Ribbed Grate with 1/2" (13) Square Holes. Perforated SS Dome Bottom Strainer or Sediment Bucket as indicated by Figure Number. Body Interior, Dome Bottom Strainer and Sediment Bucket are polished to No. 4 finish.

- VARIATIONS:**
- BW Butt Weld Outlet (Specify Schedule -S05, -S10 or -S40)
  - Less Seepage Control Holes -LSH
  - T Male Threaded Connection
  - Trap Primer Connection -P050 1/2"(13) & -P075 3/4"(19)
  - With Anchor Flange -F\*
  - With Flange and Flashing Clamp -F-C\*
  - With Vandal Proof Grate -U

- OPTIONAL MATERIALS:**
- Drains: Fabricated from Type 316 Stainless Steel
  - Funnel: Type 304 Stainless Steel
  - Funnel: Type 316 Stainless Steel

- Bucket Models Only:**
- With SS Dome Bottom Strainer -DBS
  - With SS Solid Bottom Ported Bucket -SBP

**NOTE:** When determining location of this drain, consideration must be given to traffic loading factors. When used in areas where the drain is subjected to any traffic loading heavier than pedestrian foot traffic, the location, load and description of load shall be submitted to Jay R. Smith Sales Engineering Department for evaluation and selection of proper grate.

### OPTIONAL TOP GRATES AND COVERS

SUFFIX	DESCRIPTION
<input type="checkbox"/> -10	Less NB Rim and Grate
<input type="checkbox"/> -11	With NB Rim less Grate
<input type="checkbox"/> -12	With NB Rim and 1/2 Grate
<input type="checkbox"/> -13	With NB Rim and 3/4 Grate
<input type="checkbox"/> -14	With NB Rim and 2 1/2" (64) SQ Center Hole Grate
<input type="checkbox"/> -15	With NB Rim and Aluminum Recessed Grate
<input type="checkbox"/> -18	With NB Rim and Angle Grate
<input type="checkbox"/> -19	With NB Rim and Hinged Grate
<input type="checkbox"/> -21	With NB Rim and Grate with 4" (100) DIA NB Funnel
<input type="checkbox"/> -22	With NB Rim and Grate with 6" (150) DIA NB Funnel
<input type="checkbox"/> -25	With NB Rim and Grate w/8 1/4(210) x 3 1/4(83) x 4 1/2"(115) High Oval NB Funnel

SUFFIX	DESCRIPTION
<input type="checkbox"/> -26	With NB Rim and Grate w/6(150) x 2 1/2(64) x 1"(25) High Oval NB Funnel
<input type="checkbox"/> -41	With NB Rim and Solid Cover
<input type="checkbox"/> -42	With NB Rim and 1/2 Solid Cover
<input type="checkbox"/> -43	With NB Rim and 3/4 Solid Cover
<input type="checkbox"/> -44	With NB Rim and 2 1/2" (64) DIA Center Hole Solid Cover
<input type="checkbox"/> -69	With 1" (25) Thick Underbolted NB Rim and Extra Heavy Duty Cast Stainless Steel Secured Grate

NOTE: Not Available with Prefix DX Models.  
 NOTE: Dimensions shown in parentheses are in millimeters.

\*Flange is Located 2" (51) from Top of Drain 3" (76) When Specified

DRAWING NUMBER **S3001NB**  
 SIZE **A**  
 SCALE: **NONE**  
 DATE: **9-19-85**  
 APPROVED BY: **SJM**  
 CHECKED BY: **JD**  
 DRAWN BY: **CM**  
**3001NB, 3004NB, 3006NB, 3009NB**  
 DIMENSIONS ARE SUBJECT TO MANUFACTURERS TOLERANCE AND CHANGE WITHOUT NOTICE

REV.	DATE	DESCRIPTION	BY	CKD. BY	WEIGHT POUNDS	VOLUME CUBIC FEET	<b>FIGURE NUMBER</b> <b>3001NB, 3004NB, 3006NB, 3009NB</b>