



SMITH® JAY R. SMITH MFG. CO.®
 MEMBER OF MORRIS GROUP INTERNATIONAL
 POST OFFICE BOX 3237
 MONTGOMERY, ALABAMA 36109-0237 (USA)
 TEL: 334-277-8520 FAX: 334-272-7396 www.jrsmith.com



LOCATION

DRAWING NUMBER
S3001

SIZE
A

SCALE:
NONE

DATE:
5-4-82

APPROVED BY:
JM

CHECKED BY:
KH

DRAWN BY:
CR

3001-Series

FIGURE NUMBER

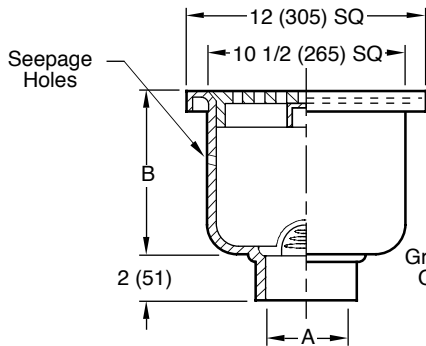
WE CAN ASSUME NO RESPONSIBILITY FOR USE OF SUPERSEDED OR VOID DATA

DIMENSIONS ARE SUBJECT TO MANUFACTURERS TOLERANCE AND CHANGE WITHOUT NOTICE

SANI-CEPTOR® STAINLESS STEEL FLOOR, AREA & INDIRECT WASTE DRAINS WITH 12" (304) STAINLESS STEEL SQUARE TOPS

FUNCTION: Used in all locations where superior sanitation, corrosion resistance, durability and longevity are required. Essential in restaurants, kitchens and all types of food handling areas for ultimate sanitation. Ideal for breweries, dairies, creameries and similar processing plants where sanitation is paramount. Also suitable for use in chemical plants, laboratories and other areas where the corrosion-resistance of type 304 stainless steel is satisfactory for the intended service.

USDA ACCEPTED

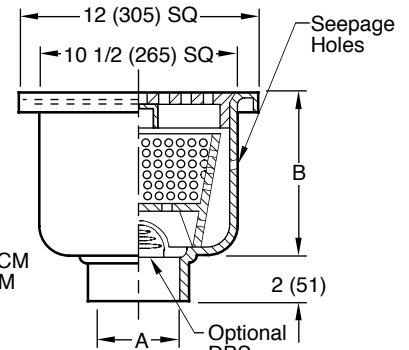


WITH DOME BOTTOM STRAINER

W/Dome Strainer	"B" DIM	Approx Wt. Lbs.	W/Sediment Bucket
3001	4(100)	14	3006
3002	6(150)	17	3007
3003	8(205)	20	3008
3004	10(255)	23	3009

Grates w/1/2" (13) holes - Free Area 34 SQ IN (219) SQ CM
 Optional Grates w/1/4" (6) holes - 18 SQ IN (116) SQ CM

A (Pipe Size) = 02(50), 03(75) or 04(100)
 Y NO-HUB Outlet



WITH SEDIMENT BUCKET

FEATURES, OPTIONS AND ORDERING INFORMATION

REGULARLY FURNISHED: 14 Gauge Type 304 SS Receptor Body with Seepage Control Holes, Cast Type 316 SS Ribbed Non-Tilt Loose Set Grate with 1/2" (13) Square Holes. Perforated SS Dome Bottom Strainer or Sediment Bucket as indicated by Figure Number. Body Rim and Grate are polished to No. 4 finish.

VARIATIONS:

- BW Butt Weld Outlet (Specify Schedule -S05, -S10 or -S40)
- Less Seepage Control Holes -LSH
- T Male Threaded Connection
- Trap Primer Connection -P050 1/2"(13) & -P075 3/4"(19)
- With Anchor Flange -F
- With Flange and Flashing Clamp -F-C
- USDA Compliant

Bucket Models Only:

- With SS Dome Bottom Strainer -DBS
- With SS Solid Bottom Ported Bucket -SBP

OPTIONAL MATERIALS:

- Drains: Fabricated from Type 316 Stainless Steel
- Funnel: Type 304 Stainless Steel
- Funnel: Type 316 Stainless Steel

NOTE:

When determining location of this drain, consideration must be given to traffic loading factors. When used in areas where the drain is subjected to any traffic loading heavier than pedestrian foot traffic, the location, load and description of load shall be submitted to Jay R. Smith's Sales Engineering Department for evaluation and selection of proper grate.

NOTE: Dimensions shown in parentheses are in millimeters.

OPTIONAL TOP GRATES AND COVERS

SUFFIX	DESCRIPTION
<input type="checkbox"/> -10	Less SS Grate
<input type="checkbox"/> -12	With SS 1/2 Grate
<input type="checkbox"/> -13	With SS 3/4 Grate
<input type="checkbox"/> -14	With SS 2 1/2" (64) SQ Center Hole Grate
<input type="checkbox"/> -15	With SS Recessed Grate with Handle
<input type="checkbox"/> -18	With NB Rim and Angle Grate
<input type="checkbox"/> -21	With SS Grate with 4" (100) DIA NB Funnel
<input type="checkbox"/> -22	With SS Grate with 6" (150) DIA NB Funnel
<input type="checkbox"/> -25	With SS Grate with 8 1/4(210) x 3 1/4(83) x 4 1/2"(115) High Oval NB Funnel
<input type="checkbox"/> -26	With SS Grate with 6(150) x 2 1/2(64) x 1"(25) High Oval NB Funnel
<input type="checkbox"/> -41	With SS Solid Cover
<input type="checkbox"/> -42	With SS 1/2 Solid Cover
<input type="checkbox"/> -43	With SS 3/4 Solid Cover
<input type="checkbox"/> -44	With SS 2 1/2" (64) SQ Center Hole Solid Cover

SUFFIX	DESCRIPTION
<input type="checkbox"/> -61	With SS Heel-Proof Ribbed Non-Tilt Loose Set Grate with 1/4" (6) SQ Holes.
<input type="checkbox"/> -63	With SS Medium Duty Heel-Proof Ribbed Non-Tilt Loose Set Grate with 1/4" (6) SQ Holes.
<input type="checkbox"/> -64	With SS Heavy Duty Ribbed Non-Tilt Loose Set Grate with 1/2" (13) SQ Holes.
<input type="checkbox"/> -66	With SS Extra Heavy Duty Ribbed Non-Tilt Loose Set Grate with 1/2" (13) SQ Holes.
<input type="checkbox"/> -68	With SS Extra Heavy Duty Ribbed Non-Tilt Loose Set 3/4 Grate with 1/2" (13) SQ Holes.
<input type="checkbox"/> -69	With 1" (25) Thick Underbolted NB Rim and Extra Heavy Duty Cast Stainless Steel Secured Grate.

• Flange is Located 2" (51) from Top of Drain 3" (76) When Specified

REV.	DATE	DESCRIPTION	BY	CKD. BY
V	5-16-18	Revised Variations, Added Note	TBW	CL
U	1-18-17	Revised Function	TBW	CL
T	01/20/11	Updated Logo	JJ	TW
S	7-10-09	Revised Regularly Furnished	RN	CL

WEIGHT POUNDS	VOLUME CUBIC FEET	FIGURE NUMBER
		3001-Series



WARNING: Cancer and Reproductive Harm - www.P65Warnings.ca.gov